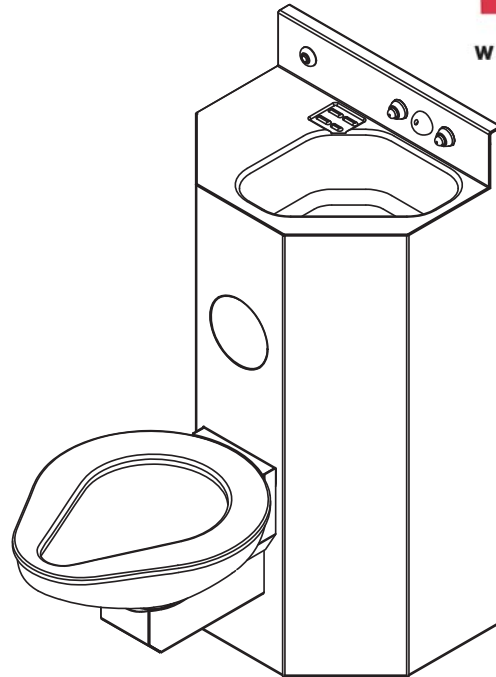


## 1847 Series 18" Wide Combination Lavatory/Toilet Units with Angled Lavatory Bowl



**ANGLED RIGHT LAV. UNIT SHOWN**  
*(Unit may be shown with optional features)*

To specify fixture and accessories, use the Model Number and Options page.

Example: To specify a wall outlet 18" wide combination unit with angled right lav. bowl, centered toilet, on floor, standard ligature-resistant filler/bubbler, 1.6 GPF, dual temp. pneumatic metering valve, standard ligature-resistant pneumatic push buttons, lav. elbow waste, lav. fast drain, toilet waste extension, 3" PVC waste coupling, hydraulic flush valve, flush valve connection, center recessed tissue holder, and wall sleeve

Use the following Willoughby Model Number:

**ECW-1847-R-C-ON-BPH-1.6-PML2-PBH-EB-TWE-TWC3P-FV-FVT-RTHC-WS**

## Recommended Specifications

18" Wide Combination Lavatory/Toilet Units with Angled Lavatory Bowl shall be: Willoughby Model No. **EC\_\_-1847**  
(Select from model number and options list on next page)

Fixture shall be fabricated from 14 gauge, type 304 stainless steel. The construction shall be all welded, with exposed stainless surfaces polished to a #4 satin finish.

Standard toilet shall include:

- Elongated toilet bowl with contoured seat
- Integral crevice-free self-draining flushing rim with positive afterfill
- Bead blast finish bowl interior

Toilet shall be blowout type, requiring 35 psi min. flushing pressure. Model shall meet the requirements of ASME A112.19.3/CSA B45.4.

Standard lavatory shall include:

- Multi-sided bowl, 12-3/4" x 8-1/4" x 5" deep
- Stainless steel ligature-resistant bubbler/filler
- Fast drain with air vent
- Elbow waste (1-1/2" Plain End)
- Self-draining soap dish

Fixture shall withstand loadings of 5,000 lbs. without permanent damage.

Cabinet interior shall be sound deadened with fire-resistant material.

Anchoring shall be by standard 4-point system. Ø1/2" threaded rods, nuts and washers shall be furnished for walls up to 8" thick. Unit shall require chase area for installation and maintenance.

**On back to back fixture installations, do not use standard cross type waste fitting: cross flow may result due to blowout jet action. Use sanitary or offset type waste fittings.**

**Note:** Unit will pass a 2" ball.

**Note:** Fixture should only be used with a listed high-efficiency flushometer to ensure the complete system meets the requirements of WaterSense.



**WARNING:** Cancer and Reproductive Harm

- [www.P65Warnings.ca.gov](http://www.P65Warnings.ca.gov)

visit our website at [www.willoughby-ind.com](http://www.willoughby-ind.com)  
5105 West 78th Street • Indianapolis, IN. 46268  
(317) 875-0830 • Fax: (317) 875-0837 • (800) 428-4065



MADE IN THE U.S.A.

# MODEL NUMBER AND OPTIONS:

## 1.) Toilet Waste Location:

- ECW Wall Outlet
- ECF Floor Outlet

## 2.) Base Model Number:

- 1847 18" Wide Angled Lav-toilet Combination

## 3.) Lav. Bowl Orientation:

- L -Angled Left
- R -Angled Right

## 4.) Toilet Orientation:

- L -Angled Left
- R -Angled Right
- C -Centered

## 5.) Fixture Mounting:

- OF Off-Floor (ECW Only)
- ON On-Floor

## 6.) Bubbler Selection:

- BPH Ligature-resistant Bubbler/Filler (Standard)\*\*
- BC Code Bubbler/Filler (w/ Non Ligature-Resistant Mouth Guard)
- FLH Ligature-resistant Lav. Filler\*\*

## 7.) Lavatory Valve Selection:

- NV No Valve
- PSL1 Single Temp. Pneumatic Non-metering
- PSL2 Dual Temp. Pneumatic Non-metering
- PML1 Single Temp. Pneumatic Metering
- PML2 Dual Temp. Pneumatic Metering
- E1L1 Single Temp. Electronic (Pick Control)
- E1L2 Dual Temp. Electronic (Pick Control)

## Valve Manifold Options:

*Pneumatic or Electronic Only:*

- MA2  MA3  MA4

## 8.) Lavatory Push Button Selection:

- PBH Ligature-resistant Pneumatic Push Buttons\*\*
- PZPB Ligature-resistant Piezo Electronic Push Buttons\*\*

## 9.) Electronic Controls\*

(Must Use Electronic Lavatory & Flush Valves):

- WUCC-3010  Pneutronic  WMSII

## 10.) Lavatory Waste:

- EB Elbow Waste (1-1/2" Plain End) (Standard)
- PT Integral 'P'-Trap (1-1/2" Plain End) Lavatory Waste Extension (Specify if more than 3")
- LWE Lavatory Waste Extension (Specify if more than 3")
- OV Lavatory Overflow
- CW1 Combined Waste w/o Clean-out
- CW2 Combined Waste w/ Clean-out
- LW1 Thru-Wall Extension, 'P'-Trap
- LW2 Thru-Wall Extension & Clean-out
- SLOW Slow Drain
- LWC1 Coupling, 1-1/2" Tube to 1-1/2" Tube /Cast Iron
- LWC2 Coupling, 1-1/2" Tube to 1-1/2" PVC /Cast Iron
- RPT Removable 'P'-Trap (1-1/2" N.P.T.) (For FA option only)

## 11.) Toilet Waste:

- GWC Gasketed Waste Connection (Standard on ECF)
- TWE Toilet Waste Extension (Standard on ECW)
- TW3 3" Clean-out for (TWE)
- TW4 4" Cast Iron Closet Flange
- TW5 4" Clean-out for (TWE)
- PC3 Pinned Clean-out Plug PVC-3"
- PCB3 Pinned Clean-out Plug Brass-3"
- PC4 Pinned Clean-out Plug PVC-4"
- PCB4 Pinned Clean-out Plug Brass-4"
- COH4 4" Clean-out Hook, 4" PVC Plug
- COHB4 4" Clean-out Hook, 4" Brass Plug

## 12.) Waste Coupling for (TWE) Toilet Waste Extension:

- TWC3P Connecting to 3" PVC
- TWC3C Connecting to 3" Cast Iron
- TWC4P Connecting to 4" PVC
- TWC4C Connecting to 4" Cast Iron

## 13.) Flush Valve:

- FV Hydraulic Flush Valve (Includes Actuator)
  - 1.28 GPF HET (4.8 Lpf)
  - 1.6 GPF ULF (6.0 Lpf)
  - 3.5 GPF (13.2 Lpf)\*\*\*
- EFVP Electronic Flush Valve w/ (PZPB) Ligature-resistant Piezo Push Button (Pick Control)\*\*
  - 1.28 GPF HET (4.8 Lpf)
  - 1.6 GPF ULF (6.0 Lpf)
  - 3.5 GPF (13.2 Lpf)\*\*\*
- NFV No Flush Valve (Provided by Others)

## 14.) Other Options:

- T4 Manual Reset Toilet Overflow Preventer, Req. (FV)
- T4A Auto Reset Toilet Overflow Preventer, Req. (FV)
- ET4 Electronic Toilet Overflow Preventer, Requires (EFVP) & (WUCC-3010) or (WMSII)
- TFE Toilet Flush Extension (Specify if more than 1-7/8")
- FVT Flush Valve Connection
- HS Hinged White Plastic Seat (Not recommended for Max. Security/Ligature-resistant use; No Cover)
- RTH\_\_ Recessed Tissue Holder
  - L  LF  C  RF  R
- ISH Integral Shelf
- TB1\_\_ Single Toothbrush Holder
  - L  R
- TB2\_\_ Dual Toothbrush Holder
- TH1\_\_ Single Towel Hook
  - L  LF  RF  R
- TH2\_\_ Dual Towel Hook
  - L  LF  RF  R
- DC Decorator Color (Fixture exterior only - White)
- TF24H Hard-wired Transformer, 110VAC to 24VAC\*
- TF24P Plug-in Transformer, 110VAC to 24VAC\*
- HPS High Polish Seat
- VG Vent Grille, 6-1/2"x 9-1/2" (13-3/4 in<sup>2</sup> free area)
  - L  LF  RF  R
- MT Wall Template
- WS Wall Sleeve (Requires Accessible Chase)
- SK Ligature-resistant Toilet Skirt, (ON) On-Floor Only\*\*
- TG 12 Gauge Cabinet
- TSC Toilet Shipping Cover
- FA Front Access (For use when no chase exists)
- Other \_\_\_\_\_

\*(Req. 110V power through ground fault interrupter (GFCI) receptacle / breaker)

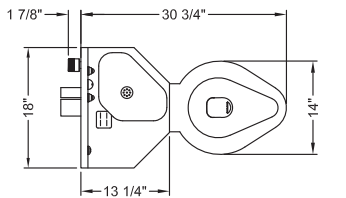
## \*\*LIGATURE-RESISTANT DISCLAIMER

This product is designed to minimize ligature points. While every effort has been made to reduce the possibility of ligature points, this product does not eliminate all risks. Ligature-Resistant products by Willoughby Industries are to be used in conjunction with, not as a replacement for, trained professionals.

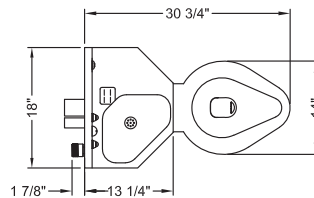
\*\*\*For replacement fixtures only

Approved For Manufacturing By: \_\_\_\_\_ Date: \_\_\_\_\_ Company: \_\_\_\_\_  
 Wall Thickness: \_\_\_\_\_ Wall Type: \_\_\_\_\_

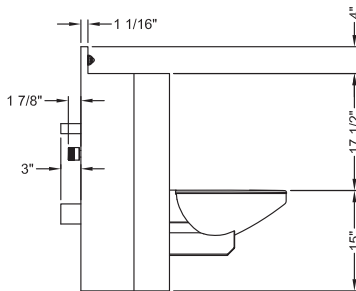
**VERIFY ALL DIMENSIONS WITH FACTORY PRIOR TO ROUGH-IN**  
 WILLOUGHBY RESERVES THE RIGHT TO MAKE CHANGES IN DESIGN AND DIMENSIONS WITHOUT FORMAL NOTICE AND WITHOUT INCURRING OBLIGATION.



RIGHT HAND LAV BOWL PLAN VIEW



LEFT HAND LAV BOWL PLAN VIEW



SIDE VIEW

visit our website at [www.willoughby-ind.com](http://www.willoughby-ind.com)  
 5105 West 78th Street • Indianapolis, IN. 46268  
 (317) 875-0830 • Fax: (317) 875-0837 • (800) 428-4065



MADE IN THE U.S.A.