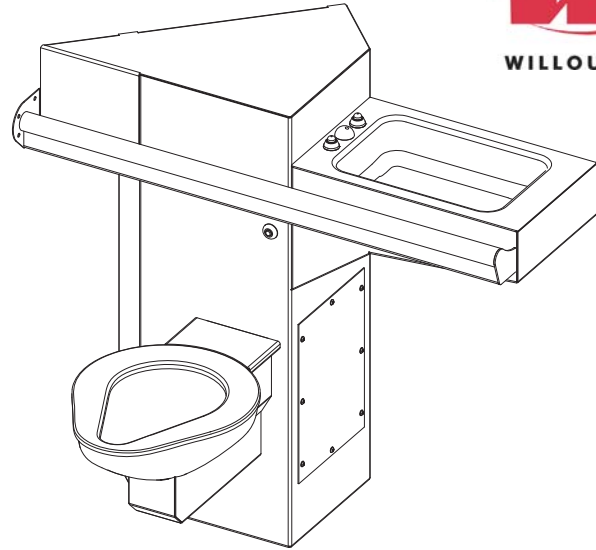


1845-FA Series Front Access Handicap- ADA Compliant 18" Wide (for 45° Chase) Combination Unit



(Unit may be shown with optional features)

Recommended Specifications

To specify fixture and accessories, use the Model Number and Options page.

Example: To specify a Front Access Handicap-ADA Compliant 18" Wide (for 45° Chase) Combination unit with Wall Outlet, Left Angled toilet, Ligature-Resistant Deck Mounted Bubbler, 1.6 GPF, Dual Temp. Pneumatic Metering, Ligature-Resistant Push Buttons, Removable P-trap Waste, Gasketed Waste Connection, and Hydraulic Flush Valve

Use the following Willoughby Model Number:

ECW-1845-FA-L-ON-DMBH-1.6-PML2-PBH-RPT-GWC-FV

Front Access Handicap-ADA Compliant 18" Wide (for 45° Chase)
Combination lavatory/toilet shall be:
Willoughby Model No. **EC__-1845-FA**
(Select from model number and options list on next page)

Fixture shall be fabricated from 14 gauge, Type 304 stainless steel.
The construction shall be all welded, with exposed stainless surfaces polished to a #4 satin finish. Removable access panels, attached w/ security screws, shall provide access to fixture interior.

Standard toilet shall include:

- Elongated toilet bowl with contoured seat
- Integral crevice-free self-draining flushing rim with positive afterfill
- Fully enclosed 2-3/8" O.D. trap which shall maintain a minimum 2" seal and pass a 2" ball
- Bead blast finish bowl interior

Toilet shall be blowout type, requiring 35 psi min. flushing pressure.
Model shall meet the requirements of ASME A112.19.3/CSA B45.4.

Standard lavatory shall include:

- Rectangular-shaped bowl, 14" x 9-1/2" x 4" deep
- Stainless steel bubbler/filler
- Fast drain with air vent
- Removable slip-joint brass union P-trap (1-1/2" N.P.T.)
- Self-draining soap dish

Unit shall include a grab bar with ligature-resistant closure plate; the grab bar will be welded to the fixture and is intended to be anchored to the wall during installation (wall anchors by others). Fixture shall withstand loadings of 5,000 lbs. without permanent damage. Cabinet interior shall be sound deadened with fire-resistant material.

ADA, ANSI, and CBC-Compliant:

When the fixture is mounted correctly it is designed to comply with all applicable ADA, ANSI (Z124.3 & Z124.6), and CBC (2016, Ch. 11B) accessibility guidelines.

Mounting:

Anchoring shall be from the front, anchoring holes provided. Anchoring hardware provided by others. Standard unit requires no chase area for installation and maintenance, however certain non-standard options may require an accessible chase (see options list for details).

On back to back fixture installations, do not use standard cross type waste fitting: cross flow may result due to blowout jet action. Use sanitary or offset type waste fittings.

Note: For HET 1.28 GPF, unit will pass a Ø2" ball.



WARNING: Cancer and Reproductive Harm

- www.P65Warnings.ca.gov



MADE IN THE U.S.A.

visit our website at www.willoughby-ind.com
5105 West 78th Street • Indianapolis, IN. 46268
(317) 875-0830 • Fax: (317) 875-0837 • (800) 428-4065

MODEL NUMBER AND OPTIONS:

1.) Toilet Waste Location:

- ECW Wall Outlet
- ECF Floor Outlet

2.) Base Model Number:

- 1845-FA Front Access Handicap-ADA Compliant 18" Wide (for 45° Chase) Combination

3.) Toilet Orientation:

- L Angled Left
- R Angled Right

4.) Fixture Mounting:

- ON On-Floor

5.) Bubbler Selection:

- DMBH Ligature-resistant Deck Mounted Bubbler (Standard)***

6.) Lavatory Valve Selection:

- NV No Valve
- PSL1 Single Temp. Pneumatic Non-metering
- PSL2 Dual Temp. Pneumatic Non-metering
- PML1 Single Temp. Pneumatic Metering
- PML2 Dual Temp. Pneumatic Metering
- E1L1 Single Temp. Electronic (Pick Control)
- E1L2 Dual Temp. Electronic (Pick Control)

8.) Lavatory Push Button Selection:

- PBH Ligature-resistant Pneumatic Push Buttons***
- PZPB Ligature-resistant Piezo Electronic Push Buttons***

9.) Electronic Controls**

(Must Use Electronic Flush Valve):

- WUCC-3010 Pneutronic WMSII

10.) Lavatory Waste:

- RPT Removable P-Trap (1-1/2" N.P.T.) (Standard)
- OV Lavatory Overflow
- CW1 Combined Waste w/o Clean-out
- CW2 Combined Waste w/ Clean-out
- SLOW Slow Drain

11.) Toilet Waste:

- GWC Gasketed Waste Connection (Standard)
- TWE Toilet Waste Extension (Requires Accessible Chase)

12.) Waste Coupling for (TWE) Toilet Waste Extension:

- TWC3P Connecting to 3" PVC
- TWC3C Connecting to 3" Cast Iron
- TWC4P Connecting to 4" PVC
- TWC4C Connecting to 4" Cast Iron

12.) Flush Valve:

- FV Hydraulic Flush Valve (Includes Actuator)
 - 1.28 GPF HET (4.8 Lpf)
 - 1.6 GPF ULF (6.0 Lpf)
 - 3.5 GPF (13.2 Lpf)****
- EFVP Electronic Flush Valve w/ (PZPB) Ligature-resistant Piezo Push Button (Pick Control)**
 - 1.28 GPF HET (4.8 Lpf)
 - 1.6 GPF ULF (6.0 Lpf)
 - 3.5 GPF (13.2 Lpf)****
- NFV No Flush Valve (Provided by Others)

13.) Other Options:

- T4 Manual Reset Toilet Overflow Preventer, Req. (FV)
- T4A Auto Reset Toilet Overflow Preventer, Req. (FV)
- ET4 Electronic Toilet Overflow Preventer, Requires (EFV) & (WUCC-3010) or (WMSII)

[CONTINUED IN NEXT COLUMN:]

[Other Options CONTINUED:]

- HS Hinged White Plastic Seat (Not recommended for Max. Security/Ligature-resistant use; No Cover)
- RTHC Recessed Tissue Holder (Not ADA/CBC Compliant) (Behind Toilet)
- TB1 Single Toothbrush Holder (Opposite toilet bowl)
- TB2 Dual Toothbrush Holder (Opposite toilet bowl)
- TH1 Single Towel Hook (Opposite toilet bowl)
- TH2 Dual Towel Hook (Opposite toilet bowl)
- DC Decorator Color (Fixture exterior only - White)
- TF24H Hard-wired Transformer, 110VAC to 24VAC**
- TF24P Plug-in Transformer, 110VAC to 24VAC**
- HPS High Polish Seat
- VG Vent Grille, 6-1/2" x 9-1/2" (13-3/4 in² free area)
 - L LF RF R
- MT Wall Template
- SK Ligature-resistant Toilet Skirt***
- WS Wall Sleeve (Requires Accessible Chase)
- TG 12 Gauge Cabinet
- TSC Toilet Shipping Cover
- LVCP Ligature-resistant Lavatory Closure Panel***
- LGB Less Grab Bar
- DFBH Ligature-resistant DM Drinking Fountain Bubbler**/****
 - ** (Panel Mounted Push Button)
- Other _____
- Other _____

*(Requires 110V power through ground fault interrupter (GFCI) receptacle.)

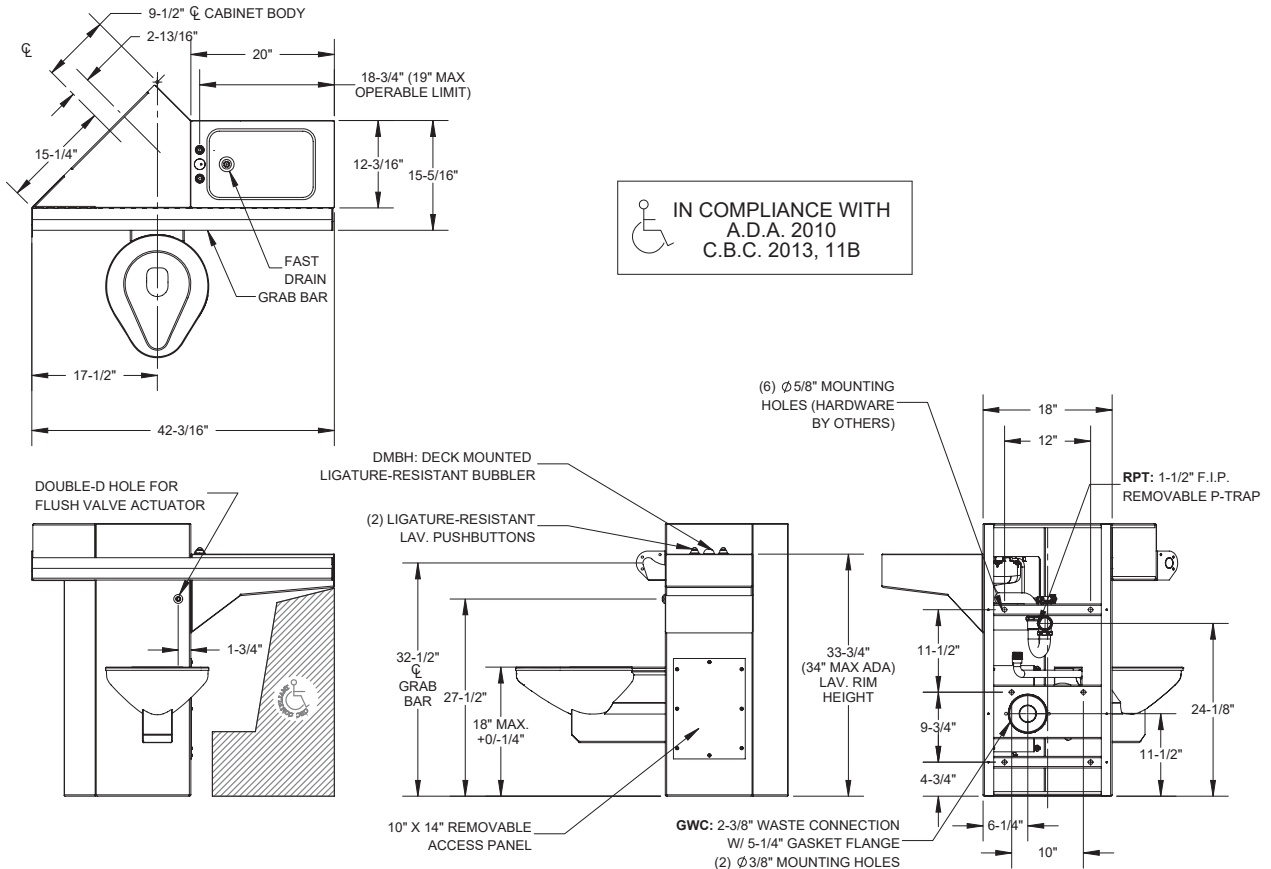
*****LIGATURE-RESISTANT DISCLAIMER**

This product is designed to minimize ligature points. While every effort has been made to reduce the possibility of ligature points, this product does not eliminate all risks. Ligature-Resistant products by Willoughby Industries are to be used in conjunction with, not as a replacement for, trained professionals.

****For replacement fixtures only

Approved For Manufacturing By: _____ Date: _____ Company: _____
 Wall Thickness: _____ Wall Type: _____

VERIFY ALL DIMENSIONS WITH FACTORY PRIOR TO ROUGH-IN
 WILLOUGHBY RESERVES THE RIGHT TO MAKE CHANGES IN DESIGN AND DIMENSIONS WITHOUT FORMAL NOTICE AND WITHOUT INCURRING OBLIGATION.



visit our website at www.willoughby-ind.com
 5105 West 78th Street • Indianapolis, IN. 46268
 (317) 875-0830 • Fax: (317) 875-0837 • (800) 428-4065



MADE IN THE U.S.A.