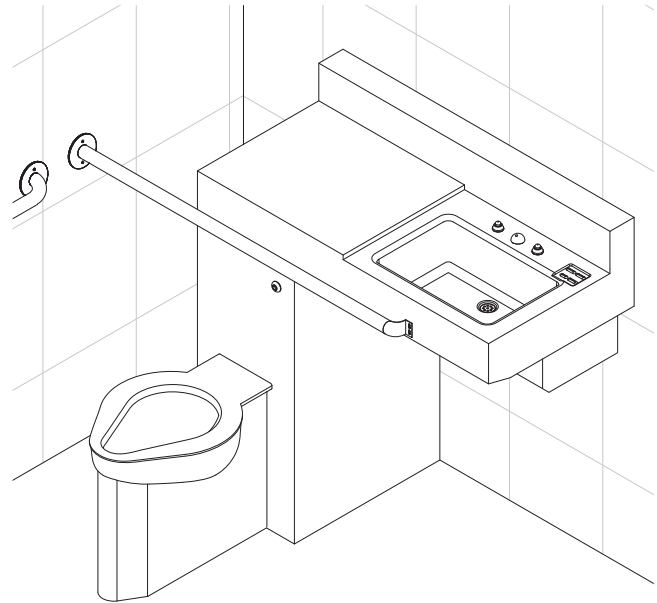


## 3696 Series 37" Wide Handicap-ADA Combination Lavatory/ Toilet Unit for use on 90 degree chase wall



**IN COMPLIANCE  
WITH A.D.A. 2010  
& CBC 2016, 11B\***



**OFFSET LEFT UNIT SHOWN**  
*(Unit shown with optional features: (GB4296) ADA grab is not included standard\*)*

To specify fixture and accessories, use the Model Number and Options page.

Example: To specify a wall outlet 37" wide handicap combination unit with offset left toilet, on floor, standard ligature-resistant deck mounted bubbler, 1.6 GPF, dual temp. pneumatic metering valve, standard ligature-resistant pneumatic push buttons, lav. elbow waste, lav. fast drain, toilet waste extension, 3" PVC waste coupling, 42" ADA grab bar, hydraulic flush valve, flush valve connection, and wall sleeve

Use the following Willoughby Model Number:  
**ECW-3696-L-ON-DMBH-1.6-PML2-PBH-EB-TWE-TWC3P-GB4296-FV-FVT-WS**

### Recommended Specifications

37" Wide Handicap-ADA Combination Lavatory/Toilet Unit for use on 90 degree chase wall shall be: Willoughby Model No. **EC\_\_-3696**  
(Select from model number and options list on next page)

Fixture shall be fabricated from 14 gauge, type 304 stainless steel. The construction shall be all welded, with exposed stainless surfaces polished to a #4 satin finish.

Standard toilet shall include:

- Elongated toilet bowl with contoured seat
- Integral crevice-free self-draining flushing rim with positive afterfill
- Bead blast finish bowl interior

Toilet shall be blowout type, requiring 35 psi min. flushing pressure.

Model shall meet the requirements of ASME A112.19.3/CSA B45.4.

Standard lavatory shall include:

- Rectangular-shaped bowl, 14" x 9-1/2" x 4-3/8" deep
- Stainless steel ligature-resistant bubbler/filler
- Fast drain with air vent
- Elbow waste (1-1/2" Plain End)
- Self-draining soap dish
- Ligature-resistant toilet skirt

Fixture shall withstand loadings of 5,000 lbs. without permanent damage. Cabinet interior shall be sound deadened with fire-resistant material.

Anchoring shall be by standard 6-point system. Ø1/2" threaded rods, nuts and washers shall be furnished for walls up to 8" thick. Unit shall require chase area for installation and maintenance.

**On back to back fixture installations, do not use standard cross type waste fitting: cross flow may result due to blowout jet action. Use sanitary or offset type waste fittings.**

**Note:** Unit will pass a 2" ball.

**\*1.) ADA Compliance requires the addition of Grab Bar #(GB4296); see Section S11-SUPPLEMENTAL INFORMATION for 3696 Series ADA Diagram.**

**2.) (RTH)- Recessed Tissue Holder option is not ADA Compliant.**

**Note:** Fixture should only be used with a listed high-efficiency flushometer to ensure the complete system meets the requirements of WaterSense.



**WARNING:** Cancer and Reproductive Harm

- [www.P65Warnings.ca.gov](http://www.P65Warnings.ca.gov)



MADE IN THE U.S.A.

visit our website at [www.willoughby-ind.com](http://www.willoughby-ind.com)  
5105 West 78th Street • Indianapolis, IN. 46268  
(317) 875-0830 • Fax: (317) 875-0837 • (800) 428-4065

# MODEL NUMBER AND OPTIONS:

## 1.) Toilet Waste Location:

- ECW Wall Outlet
- ECF Floor Outlet

## 2.) Base Model Number:

- 3696 37" Wide Handicap\* Lav-toilet Combination

## 3.) Toilet Orientation:

- L Offset Left
- R Offset Right

## 4.) Fixture Mounting:

- OF Off-Floor (ECW Only, no ligature-resistant toilet skirt)
- ON On-Floor

## 5.) Bubbler Selection:

- DMBH Ligature-resistant Deck Mounted Bubbler (Standard)\*\* (Not for ADA compliant drinking)

## 6.) Lavatory Valve Selection:

- NV No Valve
- PSL1 Single Temp. Pneumatic Non-metering
- PSL2 Dual Temp. Pneumatic Non-metering
- PML1 Single Temp. Pneumatic Metering
- PML2 Dual Temp. Pneumatic Metering
- E1L1 Single Temp. Electronic (Pick Control)
- E1L2 Dual Temp. Electronic (Pick Control)

## Valve Manifold Options:

Pneumatic or Electronic Only:

- MA2  MA3  MA4

## 7.) Lavatory Push Button Selection:

- PBH Ligature-resistant Pneumatic Push Buttons\*\*\*
- PZPB Ligature-resistant Piezo Electronic Push Buttons\*\*\*

## 8.) Electronic Controls\*

(Must Use Electronic Lavatory & Flush Valves):

- WUCC-3010  Pnautronic  WMSII

## 9.) Lavatory Waste:

- EB Elbow Waste (1-1/2" Plain End) (Standard)
- PT Integral 'P'-Trap (1-1/2" Plain End)
- LWE Lavatory Waste Extension (Specify if more than 3")
- OV Lavatory Overflow
- CW1 Combined Waste w/o Clean-out
- CW2 Combined Waste w/ Clean-out
- LW1 Thru-Wall Extension, 'P'-Trap
- LW2 Thru-Wall Extension & Clean-out
- SLOW Slow Drain
- LWC1 Coupling, 1-1/2" Tube to 1-1/2" Tube
- LWC2 Coupling, 1-1/2" Tube to 1-1/2" PVC /Cast Iron

## 10.) Toilet Waste:

- GWC Gasketed Waste Connection (Standard on ECF)
- TWE Toilet Waste Extension (Standard on ECW)
- TW3 3" Clean-out for (TWE)
- TW4 4" Cast Iron Closet Flange
- TW5 4" Clean-out for (TWE)
- PC3 Pinned Clean-out Plug PVC-3"
- PCB3 Pinned Clean-out Plug Brass-3"
- PC4 Pinned Clean-out Plug PVC-4"
- PCB4 Pinned Clean-out Plug Brass-4"
- COH4 4" Clean-out Hook, 4" PVC Plug
- COHB4 4" Clean-out Hook, 4" Brass Plug

## 11.) Waste Coupling for (TWE) Toilet Waste Extension:

- TWC3P Connecting to 3" PVC
- TWC3C Connecting to 3" Cast Iron
- TWC4P Connecting to 4" PVC
- TWC4C Connecting to 4" Cast Iron

## 12.) Flush Valve:

- FV Hydraulic Flush Valve (Includes Actuator)
  - 1.28 GPF HET (4.8 Lpf)
  - 1.6 GPF ULF (6.0 Lpf)
  - 3.5 GPF (13.2 Lpf)\*\*\*\*
- EFVP Electronic Flush Valve w/ (PZPB) Ligature-resistant Piezo Push Button (Pick Control)\*\*\*\*\*
  - 1.28 GPF HET (4.8 Lpf)
  - 1.6 GPF ULF (6.0 Lpf)
  - 3.5 GPF (13.2 Lpf)\*\*\*\*
- NFV No Flush Valve (Provided by Others)

## 13.) Grab Bar Option:

- GB4296 42" ADA Grab Bar (Req. for ADA Compliance)

## 14.) Other Options:

- T4 Manual Reset Toilet Overflow Preventer, Req. (FV)
  - T4A Auto Reset Toilet Overflow Preventer, Req. (FV)
  - ET4 Electronic Toilet Overflow Preventer, Requires (EFVP) & (WUCC-3010) or (WMSII)
  - TFE Toilet Flush Extension (Specify if more than 1-7/8")
  - FVT Flush Valve Connection
  - HS Hinged White Plastic Seat (Not recommended for Max. Security/Ligature-resistant use; No Cover)
  - RTH Recessed Tissue Holder (Not ADA Compliant) (Underneath Lav. Bowl)
  - TB1 Single Toothbrush Holder (Opposite Toilet)
  - TB2 Dual Toothbrush Holder (Opposite Toilet)
  - TH1 Single Towel Hook (Opposite Toilet)
  - TH2 Dual Towel Hook (Opposite Toilet)
  - DC Decorator Color (Fixture exterior only - White)
  - TF24H Hard-wired Transformer, 110VAC to 24VAC\*
  - TF24P Plug-in Transformer, 110VAC to 24VAC\*
  - HPS High Polish Seat
  - VG Vent Grille, 6-1/2"x 9-1/2" (13-3/4 in<sup>2</sup> free area)
    - L  R
  - MT Wall Template
  - WS Wall Sleeve (Requires Accessible Chase)
  - LSK Less Ligature-resistant Toilet Skirt
  - TG 12 Gauge Cabinet
  - TSC Toilet Shipping Cover
  - DFBH Ligature-resistant Deck Mounted ADA Compliant Drinking Fountain Bubbler\*\*/ \*\*\*
- \*\* (Panel Mounted Push Button)

Other \_\_\_\_\_

\*(Req. 110V power through ground fault interrupter (GFCI) receptacle / breaker)

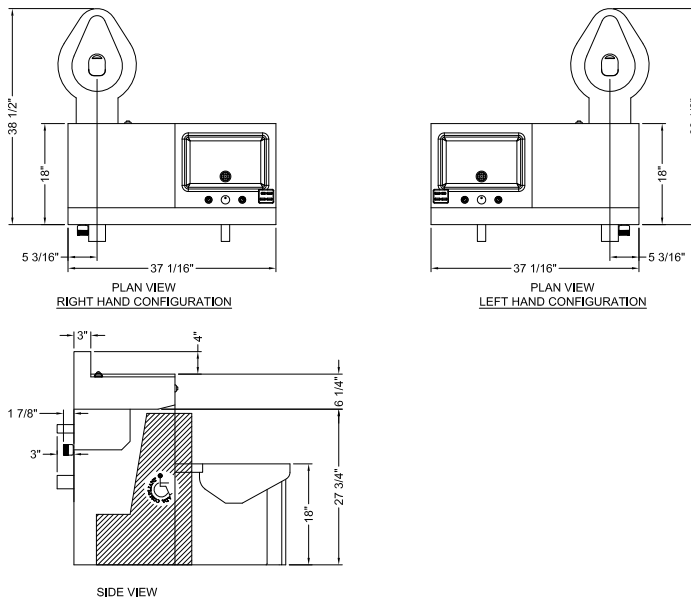
## \*\*\*LIGATURE-RESISTANT DISCLAIMER

This product is designed to minimize ligature points. While every effort has been made to reduce the possibility of ligature points, this product does not eliminate all risks. Ligature-Resistant products by Willoughby Industries are to be used in conjunction with, not as a replacement for, trained professionals.

\*\*\*\*For replacement fixtures only

Approved For Manufacturing By: \_\_\_\_\_ Date: \_\_\_\_\_ Company: \_\_\_\_\_  
 Wall Thickness: \_\_\_\_\_ Wall Type: \_\_\_\_\_

VERIFY ALL DIMENSIONS WITH FACTORY PRIOR TO ROUGH-IN  
 WILLOUGHBY RESERVES THE RIGHT TO MAKE CHANGES IN DESIGN AND DIMENSIONS WITHOUT FORMAL NOTICE AND WITHOUT INCURRING OBLIGATION.



visit our website at [www.willoughby-ind.com](http://www.willoughby-ind.com)  
 5105 West 78th Street • Indianapolis, IN. 46268  
 (317) 875-0830 • Fax: (317) 875-0837 • (800) 428-4065



MADE IN THE U.S.A.