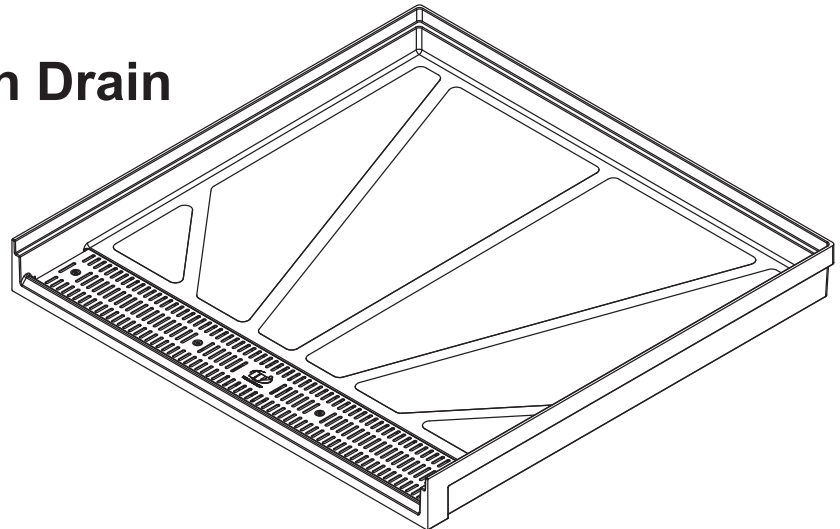


## AS-S3636ADAF Aquasurf® Solid Surface 36x36 ADA-Compliant Transfer Shower Base w/ Integral Front Trench Drain



IN COMPLIANCE  
WITH A.D.A. 2010

### Recommended Specifications

Aquasurf® Solid Surface, 36x36, ADA-Compliant, Transfer Shower Base with Integral Front Trench Drain shall be:  
Willoughby Model No. **AS-S3636ADAF**  
(Select from model number and options list on next page)

Aquasurf® Solid Surface Products Shower Bases are designed for single and multiple applications. The Shower Base shall be a monolithic cast component of Aquasurf® Solid Surface Products polymer materials, composed of fully densified aluminum trihydrate mineral fillers, homogeneously blended in an engineered, UV stabilized, acrylic modified polyester resin.

ADA accessibility shall incorporate a front drain with integrally sloped trench, allowing for complete draining of the shower area. The front drain is available in Left, Center, and Right configurations to best suit individual installations.  
(Consult local code requirements for ADA design integration.)

The shower base shall have integrally molded support bracing on bottom; negative sloped non-slip textured interior floor; integral perimeter flanges, threshold, and curb; and 2" no-hub drain connection.

To specify fixture and accessories, use the Model Number and Options page.

Example: To specify an Aquasurf® Solid Surface, 36x36, ADA-Compliant, Transfer Shower Base with Integral Front Trench Drain with Center Drain in Glacier White

Use the following Willoughby Model Number:

**AS-S3636ADAF-C-GW**

#### Durability and Biological Resistance:

Aquasurf® Solid Surface Products Shower Bases offer high impact, chip, scratch and burn resistance. Topical surface damages can easily be repaired with minor abrasive applications (3M #7448 Scotch-Brite™). The viral, bacteriological, chemical, mildew, and mold resistance provides a sanitary, easily cleaned, durable, low maintenance component.

#### Optional Features:

Aquasurf® Solid Surface Products wall panel kits with overlay battens, coved corners and soap/shampoo assemblies provide all components required to complete shower area enclosure (refer to selection sheet for unit designation).



**WARNING:** Cancer and Reproductive Harm

- [www.P65Warnings.ca.gov](http://www.P65Warnings.ca.gov)

visit our website at [www.willoughby-ind.com](http://www.willoughby-ind.com)  
5105 West 78th Street • Indianapolis, IN. 46268  
(317) 875-0830 • Fax: (317) 875-0837 • (800) 428-4065



MADE IN THE U.S.A.

# MODEL NUMBER AND OPTIONS:

## 1.) Base Type:

- AS-S3636ADAF Aquasurf® Solid Surface, 36x36, ADA-Compliant, Transfer Shower Base with Integral Front Trench Drain

## 4.) Commercial Wall Kit Option (1/4" Panels):

- ASK-S3636ADA (3) 36" x 84" Panels  
(2) (AS-IS-CV8) Inside Corner Cove Overlay

## 2.) Drain Position (See Drawing Below):

- L Left Drain  
 C Center Drain  
 R Right Drain

## 5.) Accessories:

- AS-SSH Soap/Shampoo Holder  
 LRD36 Ligature Resistant Trench Drain Cover\*

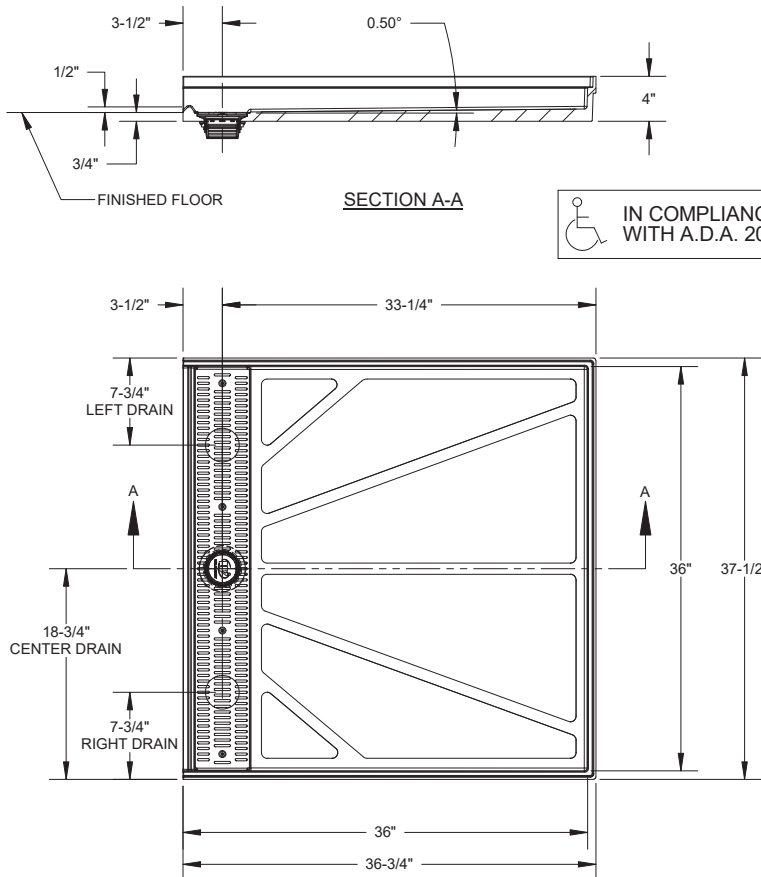
## 3.) Solid Surface Colors:

- BN Bone  
 GW Glacier White  
 GG Grey Granite  
 SS Sandstone  
 WG White Granite  
 BG Black Granite  
 NB Nocturnal Blue  
 RC Red Coral  
 SG Sea Green

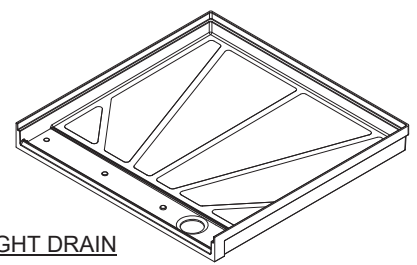
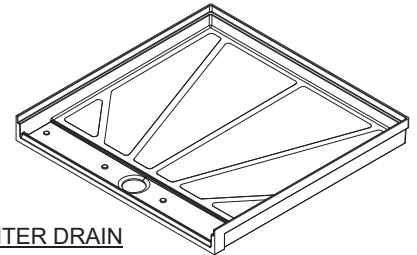
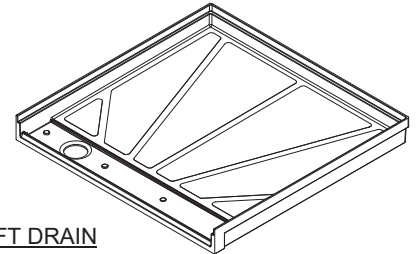
## \*LIGATURE-RESISTANT DISCLAIMER

This product is designed to minimize ligature points. While every effort has been made to reduce the possibility of ligature points, this product does not eliminate all risks. Ligature-Resistant products by Willoughby Industries are to be used in conjunction with, not as a replacement for, trained professionals.

Approved For Manufacturing By: \_\_\_\_\_ Date: \_\_\_\_\_ Company: \_\_\_\_\_



IN COMPLIANCE WITH A.D.A. 2010



**VERIFY ALL DIMENSIONS WITH FACTORY PRIOR TO ROUGH-IN**  
 WILLOUGHBY RESERVES THE RIGHT TO MAKE CHANGES IN DESIGN AND DIMENSIONS WITHOUT FORMAL NOTICE AND WITHOUT INCURRING OBLIGATION.

visit our website at [www.willoughby-ind.com](http://www.willoughby-ind.com)  
 5105 West 78th Street • Indianapolis, IN. 46268  
 (317) 875-0830 • Fax: (317) 875-0837 • (800) 428-4065



MADE IN THE U.S.A.