



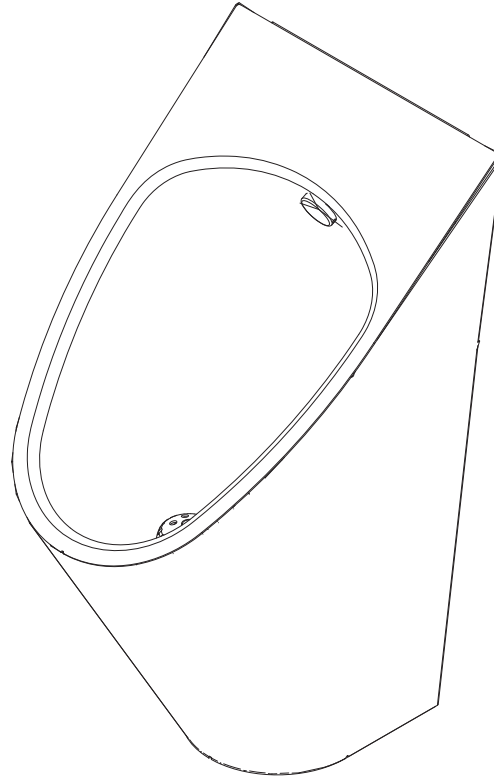
ASUW-1314-HEU Stainless Steel Single Person Rear Mounted Ligature-resistant ADA-Compliant Contoured Washout Flush High Efficiency Urinal



Certified by
CSA Group
WaterSense certified only for use
with a certified high-efficiency flushometer



IN COMPLIANCE
WITH A.D.A. 2010



(Unit may be shown with optional features)

To specify fixture and accessories, use the Model Number and Options page.

Example: To specify a Stainless Steel, Single Person, Rear Mounted, Ligature-resistant, ADA-Compliant, Contoured, Washout Flush, High Efficiency Urinal with back spud, 1/8 GPF, wall sleeve, hydraulic flush valve, and Decorator Color- White

Use the following Willoughby Model Number:
ASUW-1314-HEU-BS-0.125-WS-FV-DC

Recommended Specifications

Stainless Steel, Single Person, Rear Mounted, Ligature-resistant, ADA-Compliant, Contoured, Washout Flush, High Efficiency Urinal shall be: Willoughby Model No. **ASUW-1314-HEU** (Select from model number and options list on next page)

Fixture is fabricated from all 16 GA., Type 304 stainless steel. The construction shall be all-welded with exposed stainless steel surfaces polished to a satin finish. Contoured interior and exterior surfaces for ease of cleaning.

Standard equipment shall include:

- Machined stainless steel flush nozzle
- Beehive strainer
- Removable P-trap with 1-1/2" F.I.P. waste connection
- 3/4" N.P.T. male inlet connection

High Efficiency Urinal shall be washout type requiring 1/8 to 1/2 GPF flush valve and 25 PSI minimum flushing pressure. Trap shall be fully enclosed and maintain a 3" seal.

Mounting hardware by others.

Unit requires chase area for installation and maintenance.

Urinals mounted at 17" rim height to comply with ANSI, ADA and UFAS accessibility requirements. Please consult local code as compliance is subject to the interpretation and requirements of the local code authority.

Note: Fixture should only be used with a listed high-efficiency flushometer to ensure the complete system meets the requirements of WaterSense.



WARNING: Cancer and Reproductive Harm

- www.P65Warnings.ca.gov

visit our website at www.willoughby-ind.com
5105 West 78th Street • Indianapolis, IN. 46268
(317) 875-0830 • Fax: (317) 875-0837 • (800) 428-4065



MADE IN THE U.S.A.

MODEL NUMBER AND OPTIONS:

1.) Base Model Number:

- ASUW-1314-HEU Stainless Steel, Single Person, Rear Mounted, Ligature-resistant, ADA-Compliant, Contoured, Washout Flush, High Efficiency Urinal

2.) Inlet Location:

- BS Back Spud

3.) Flush Valve GPF (Must Specify):

- 0.5 GPF (1.9 Lpf) High Efficiency (HEU) (WaterSense Labeled)
 0.125 GPF (0.4 Lpf) High Efficiency (HEU)

4.) Options:

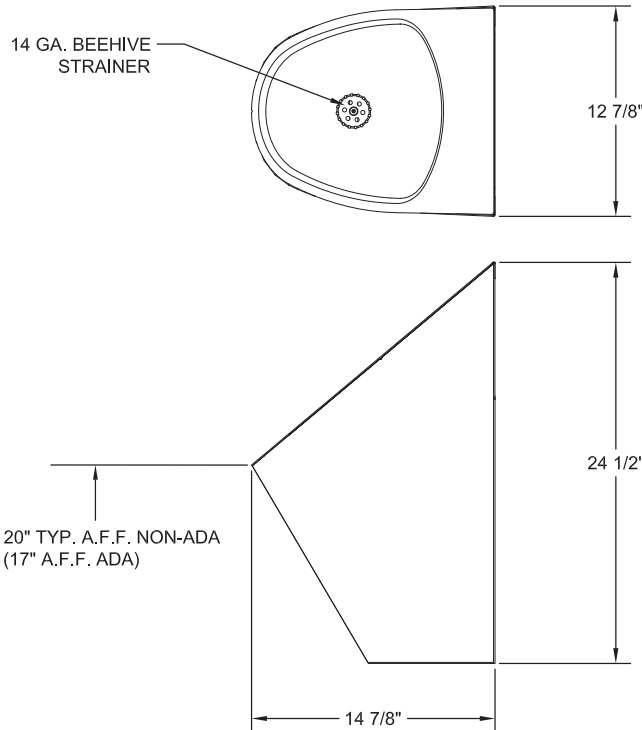
- MT Wall Template
 WS Wall Sleeve (Requires Accessible Chase)
 FV Hydraulic Flush Valve (Includes Actuator)
 EFV Electronic Flush Valve (Pick Control)*
 EFVP Electronic Flush Valve w/ (PZPB) Piezo Push Button (Pick Control)*
 AP Flush Valve Access Panel (Allows access to chase mounted flush valve from fixture side)
 TF24H Hard-wired Transformer, 110VAC to 24VAC*
 TF24P Plug-in Transformer, 110VAC to 24VAC*
 DC Decorator Color (Fixture exterior only - White)
 Other _____
 Other _____

5.) Electronic Controls* (Must Use Electronic Flush Valve):

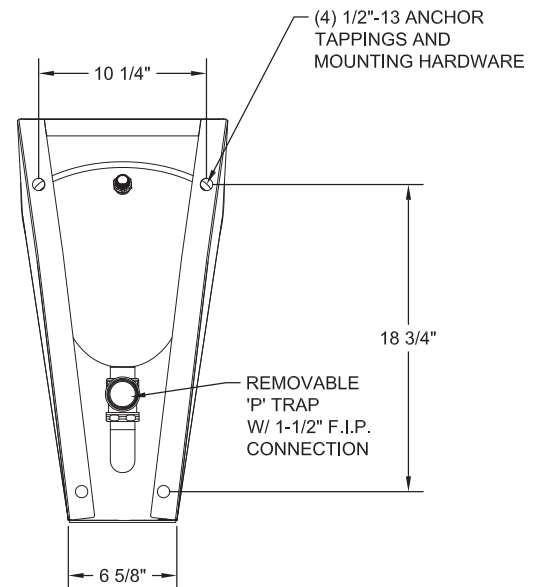
- WUFC-4000 Pneutronic WMSII
 *(Req. 110V power through ground fault interrupter (GFCI) receptacle)

Approved For Manufacturing By: _____ Date: _____ Company: _____
 Wall Thickness: _____ Wall Type: _____

VERIFY ALL DIMENSIONS WITH FACTORY PRIOR TO ROUGH-IN
 WILLOUGHBY RESERVES THE RIGHT TO MAKE CHANGES IN DESIGN AND DIMENSIONS WITHOUT FORMAL NOTICE AND WITHOUT INCURRING OBLIGATION.



 **IN COMPLIANCE WITH A.D.A. 2010**



visit our website at www.willoughby-ind.com
 5105 West 78th Street • Indianapolis, IN. 46268
 (317) 875-0830 • Fax: (317) 875-0837 • (800) 428-4065



MADE IN THE U.S.A.