

## CES-912 Commercial Hand Sink

### Recommended Specifications

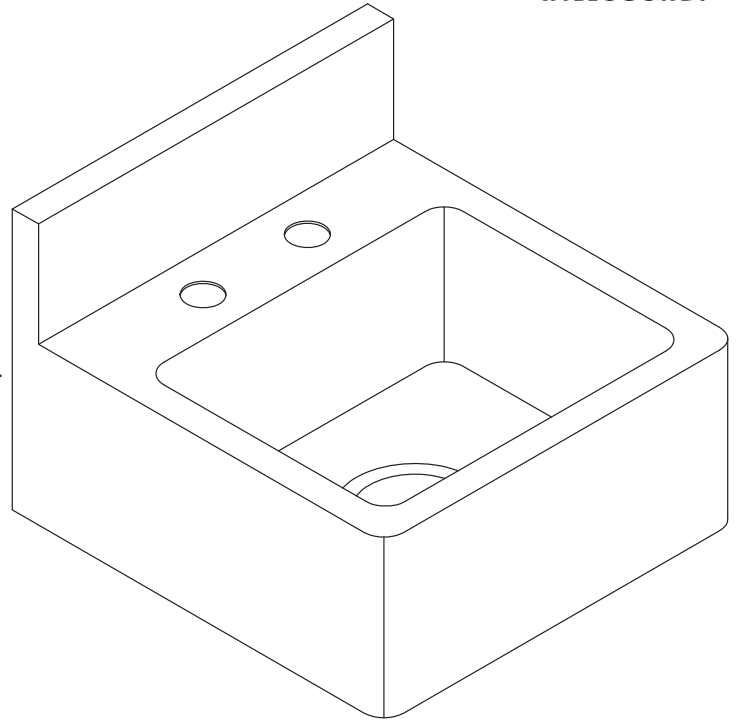
Commercial Hand Sink shall be:  
Willoughby Model No. **CES-912**

Fixture shall be fabricated from 16 GA, Type 304 stainless steel.  
The construction shall be all-welded, with exposed stainless surfaces polished to a #4 satin finish.

Standard lavatory shall include:

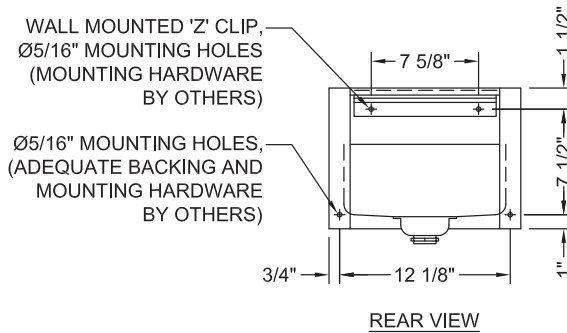
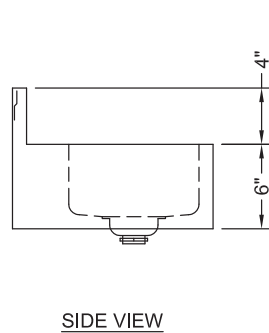
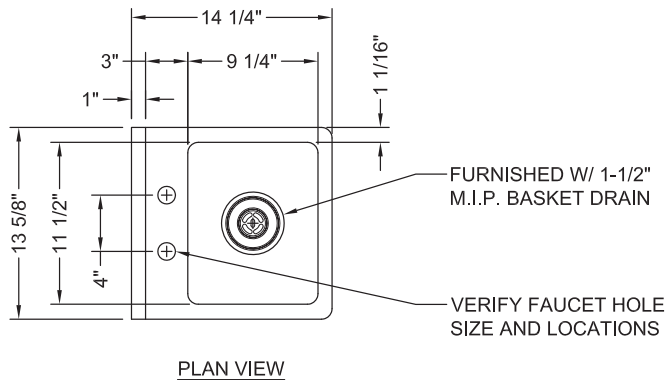
- Rectangular shaped bowl, 11-1/2" x 9-1/4" x 5" deep
- 1-1/2" M.I.P. basket drain
- 4"-on-center deck mounted faucet holes (Faucet by others)

Anchoring shall be from the front with 'Z' clips and anchoring holes, anchoring hardware by others. Unit requires no chase area for installation and maintenance.



*(Unit may be shown with optional features)*

**VERIFY ALL DIMENSIONS WITH FACTORY PRIOR TO ROUGH-IN**  
WILLOUGHBY RESERVES THE RIGHT TO MAKE CHANGES IN DESIGN AND DIMENSIONS WITHOUT FORMAL NOTICE AND WITHOUT INCURRING OBLIGATION.



**WARNING:** Cancer and Reproductive Harm

- [www.P65Warnings.ca.gov](http://www.P65Warnings.ca.gov)

visit our website at [www.willoughby-ind.com](http://www.willoughby-ind.com)  
5105 West 78th Street • Indianapolis, IN. 46268  
(317) 875-0830 • Fax: (317) 875-0837 • (800) 428-4065



MADE IN THE U.S.A.