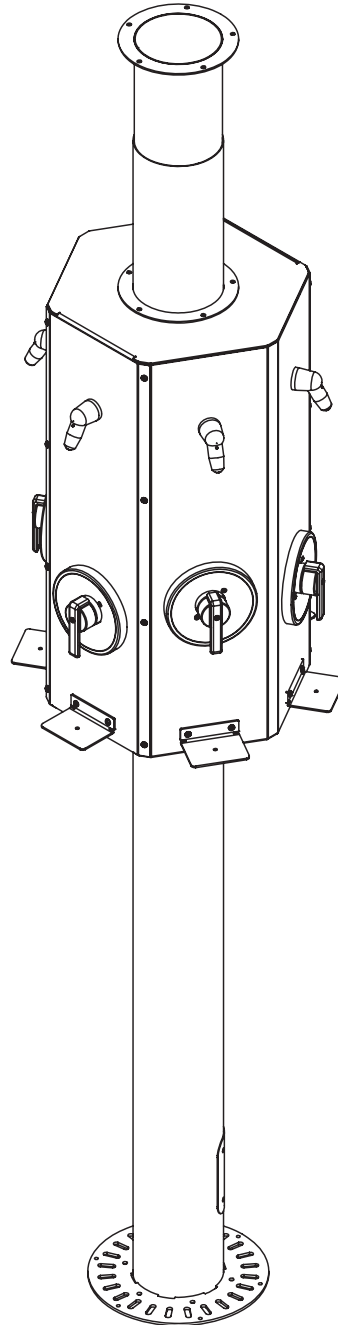


CWCSY Series 2-6 Station Type Y Column Shower



Recommended Specifications

Type Y column shower shall be:
Willoughby Model No. **CWCSY-___**
(Select from model number and options list on next page)

Shower column fabricated from 16 gauge, Type 304 stainless steel with exposed surfaces polished to a #4 satin finish.

Standard equipment shall include:

- Shower valves (from Valve Selection options list)
- Shower heads (from Shower Head Selection options list)
- Stainless steel drain fitting and access panel

Supplies are from above or below. Drain configuration shall be vented off line or vented through column.

Shower unit is factory assembled, tested for proper operation, and ready for installation by a contractor. Mounting bolts are provided for fastening column to drain fitting. Ceiling fasteners furnished by others.

Optional WaterSense Labeled ligature-resistant shower head available (LRSH).

(Unit may be shown with optional features)

To specify fixture and accessories, use the Model Number and Options page.

Example: To specify a CWCSY column shower with 6 stations, temp./pressure-balancing mixing valves, standard 2.5 GPM flow rate, standard APS adjustable vandal-resistant shower heads, supplies below/vent off line, surface mounted soap dishes, and telescoping pipe shroud

Use the following Willoughby Model Number:
CWCSY-6-TPV-2.5-APS-A-SD-TSH



WARNING: Cancer and Reproductive Harm

- www.P65Warnings.ca.gov

visit our website at www.willoughby-ind.com
5105 West 78th Street • Indianapolis, IN. 46268
(317) 875-0830 • Fax: (317) 875-0837 • (800) 428-4065



MADE IN THE U.S.A.

MODEL NUMBER AND OPTIONS:

1.) Base Model Number:

- CWCSY Type Y Column Shower

2.) Number Of Stations:

- 2 3 4 5 6

3.) Valve Selection:

- NV No Valve
 PML1 Single Temp. Pneumatic Metering
 PML2 Dual Temp. Pneumatic Metering
 E1L1 Single Temp. Electronic (Pick Control)*
 E1L2 Dual Temp. Electronic (Pick Control)*
 PBV Pressure-Balancing Mixing Valve
 TPV Temperature/Pressure-Balancing Mixing Valve
 TPLR Ligature-resistant Temp/Pressure-balancing Mixing Valve**
 SVC Single Temp. Compression Valve
 DVC Dual Temp. Compression Valves

4.) Push Button Selection:

Pneumatic or Electronic Valves Only:

- PBH Ligature-resistant Pneumatic Push Buttons**
 PZPB Ligature-resistant Piezo Electronic Push Buttons***

5.) Flow Rates:

- 2.5 GPM (Standard) 2.0 GPM 1.5 GPM

6.) Electronic Control* (Must Use Electronic Push Button):

- WUSC-2200 WUSC-2400 Pneutronic

7.) Shower Head Selection:

- APS Adjustable Vandal-resistant Shower Head
 NPS Non-Adjustable Vandal-resistant Shower Head
 UBJ Universal Ball Joint Shower Head
 LBJ Lockable Ball Joint Shower Head
 CSH Ligature-resistant Shower Head**
 FX Hand-held Flexshower Head (w/ quick disconnect, vacuum breaker, and (1) hook)
 LRSH Ligature-resistant Shower Head, WaterSense Labeled, 2.0 GPM Max Flow Rate**

8.) Supply And Drain Type:

- A Supplies Below/Vent Off Line
 B Supplies Above/Vent Thru Column
 C Supplies Below/Vent Thru Column
 D Supplies Above/Vent Off Line

9.) Other Options:

- CA Ceiling Anchor
 HCA Handicap Accessible Shower Station (1 station will include: Diverter Valve, Hand-held Flexshower Head, and 1 Flexshower Hook)
 TF24H Hard-wired Transformer, 110VAC to 24VAC* (Standard)
 TF24P Plug-in Transformer, 110VAC to 24VAC*
 TMV Inline Thermostatic Mixing Valve
 SD Surface Mounted Soap Dish
 RD Recessed Mounted Soap Dish
 GB24V 24" Vertically-mounted Grab Bar (Mounted to Shower)
 TSH Telescoping Pipe Shroud (Specify Ceiling Height): _____
 USV Unit Shut-Off Valve
 Other _____
 Other _____

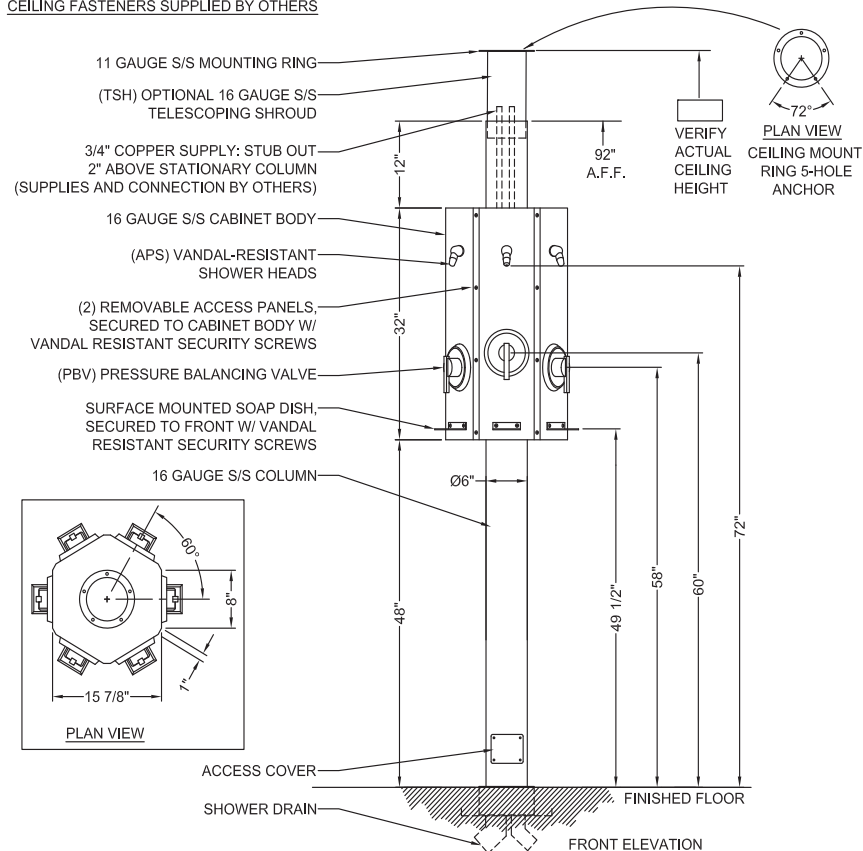
*(Req. 110V power through ground fault interrupter (GFCI) receptacle)

****LIGATURE-RESISTANT DISCLAIMER**

This product is designed to minimize ligature points. While every effort has been made to reduce the possibility of ligature points, this product does not eliminate all risks. Ligature-Resistant products by Willoughby Industries are to be used in conjunction with, not as a replacement for, trained professionals.

Approved For Manufacturing By: _____ Date: _____ Company: _____
 Wall Thickness: _____ Wall Type: _____

CEILING FASTENERS SUPPLIED BY OTHERS



VERIFY ALL DIMENSIONS WITH FACTORY PRIOR TO ROUGH-IN
 WILLOUGHBY RESERVES THE RIGHT TO MAKE CHANGES IN DESIGN AND DIMENSIONS WITHOUT FORMAL NOTICE AND WITHOUT INCURRING OBLIGATION.

visit our website at www.willoughby-ind.com
 5105 West 78th Street • Indianapolis, IN. 46268
 (317) 875-0830 • Fax: (317) 875-0837 • (800) 428-4065



MADE IN THE U.S.A.