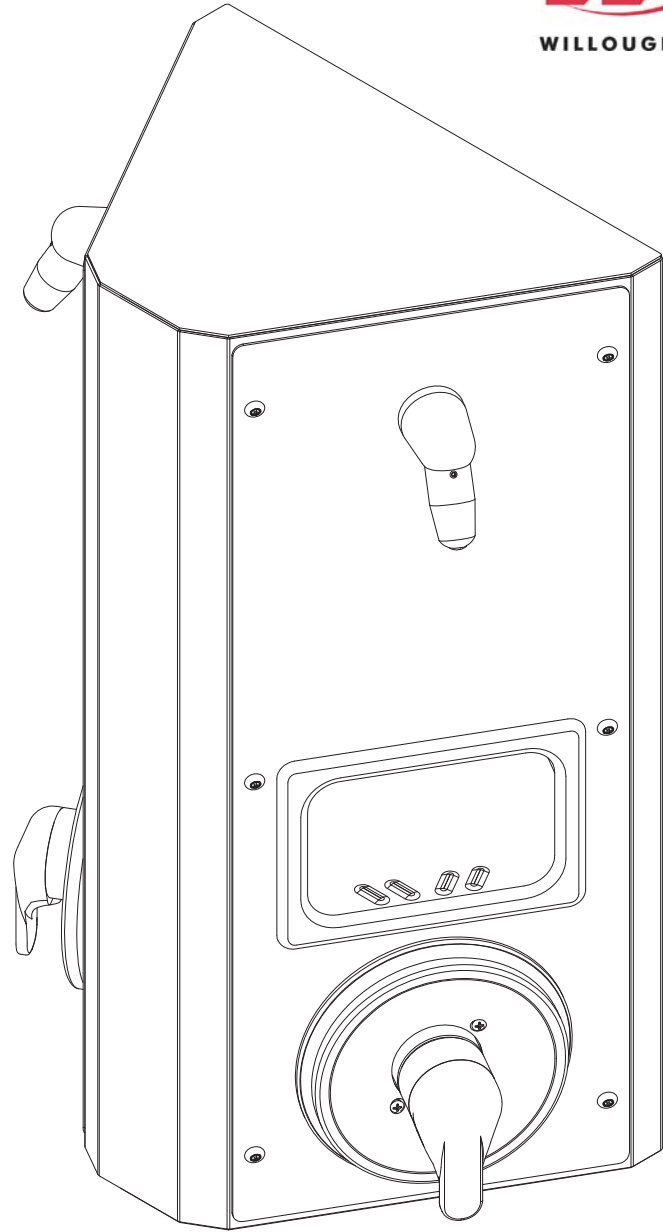


CWDS Series Two Station Surface Mounted Wall Shower



Recommended Specifications

Two Station, Surface Mounted Wall Shower shall be:
Willoughby Model No. **CWDS**
(Select from model number and options list on next page)

Shower face plates shall be fabricated from 16 gauge, Type 304 stainless steel with exposed stainless surfaces polished to a #4 satin finish. Wall bracket shall be fabricated from 16 gauge, Type 304 stainless steel.

Standard equipment shall include:

- Shower valves (from Valve Selection options list)
- Shower heads (from Shower Head Selection options list)
- Mounting bracket

Shower face plate shall attach to mounting bracket with vandal resistant stainless steel security screws. Mounting bracket anchoring hardware by others. Unit requires no chase area for installation and maintenance.

Optional WaterSense Labeled ligature-resistant shower head available (LRSH).

(Unit may be shown with optional features)

To specify fixture and accessories, use the Model Number and Options page.

Example: To specify a Two Station, Surface Mounted Wall Shower with temp./pressure-balancing mixing valves, standard 2.5 GPM flow rate, APS adjustable vandal-resistant shower heads, and recessed soap dishes

Use the following Willoughby Model Number:
CWDS-TPV-2.5-APS-RD



WARNING: Cancer and Reproductive Harm

- www.P65Warnings.ca.gov

visit our website at www.willoughby-ind.com
5105 West 78th Street • Indianapolis, IN. 46268
(317) 875-0830 • Fax: (317) 875-0837 • (800) 428-4065



MADE IN THE U.S.A.

MODEL NUMBER AND OPTIONS:

1.) Base Model Number:

- CWDS Two Station, Surface Mounted Wall Shower

2.) Valve Selection:

- NV No Valve
 PML1 Single Temp. Pneumatic Metering
 PML2 Dual Temp. Pneumatic Metering
 E1L1 Single Temp. Electronic (Pick Control)*
 E1L2 Dual Temp. Electronic (Pick Control)*
 PBV Pressure-Balancing Mixing Valve
 TPV Temperature/Pressure-Balancing Mixing Valve
 TPLR Ligature-resistant Temp/Pressure-balancing Mixing Valve**
 SVC Single Temp. Compression Valve
 DVC Dual Temp. Compression Valves

3.) Push Button Selection:

Pneumatic or Electronic Valves Only:

- PBH Ligature-resistant Pneumatic Push Buttons**
 PZPB Ligature-resistant Piezo Electronic Push Buttons**/**

4.) Flow Rates:

- 2.5 GPM (Standard) 2.0 GPM 1.5 GPM

5.) Electronic Control* (Must Use Electronic Push Button):

- WUSC-2200 WUSC-2400 Pneutronic

6.) Shower Head Selection:

- APS Adjustable Vandal-resistant Shower Head
 NPS Non-Adjustable Vandal-resistant Shower Head
 UBJ Universal Ball Joint Shower Head
 LBJ Lockable Ball Joint Shower Head
 CSH Ligature-resistant Shower Head**
 LRSH Ligature-resistant Shower Head, WaterSense Labeled Insert (1.5 GPM & 2.0 GPM Flow Rate only) **

7.) Other Options:

- TF24H Hard-wired Transformer, 110VAC to 24VAC* (Standard)
 TF24P Plug-in Transformer, 110VAC to 24VAC*
 TMV Inline Thermostatic Mixing Valve
 SLB24 24" Adjustable Slide Bar (for Flexshower, Wall Mounted)
 SD Surface Mounted Soap Dish
 RD Recessed Mounted Soap Dish
 PS Pipe Shroud (Specify Length): _____

- Other _____
 Other _____

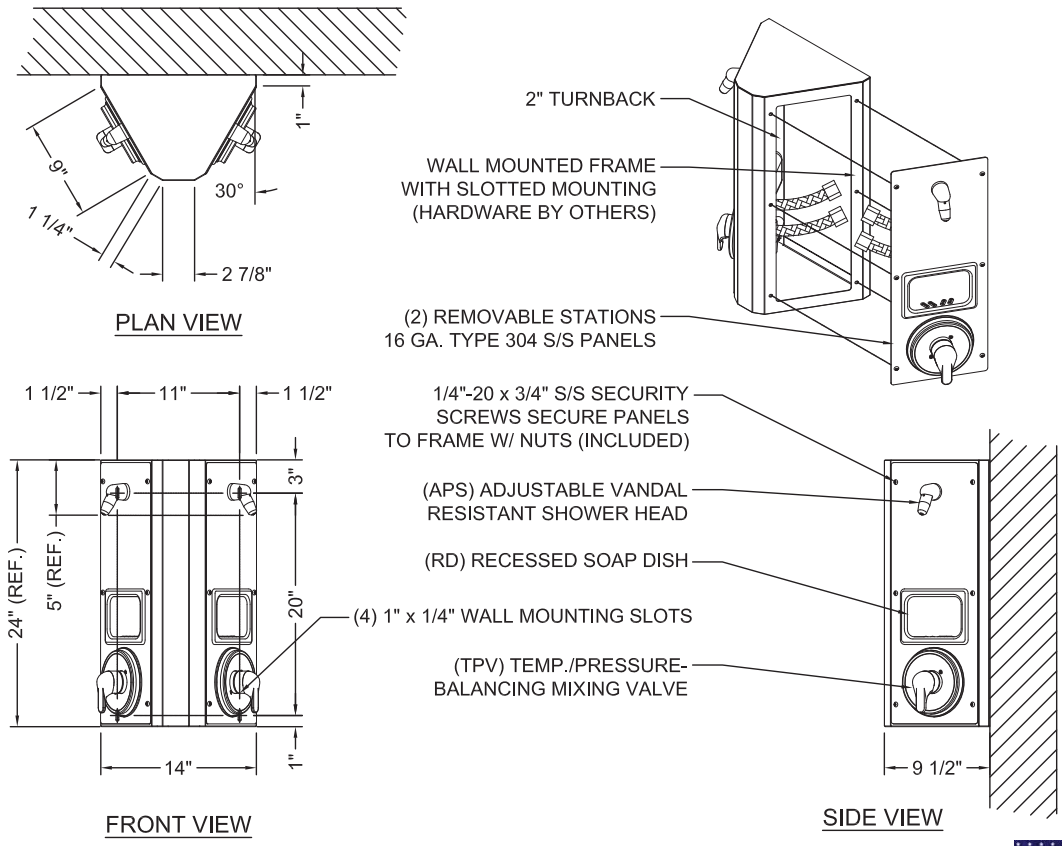
*(Req. 110V power through ground fault interrupter (GFCI) receptacle / breaker)

**LIGATURE-RESISTANT DISCLAIMER

This product is designed to minimize ligature points. While every effort has been made to reduce the possibility of ligature points, this product does not eliminate all risks. Ligature-Resistant products by Willoughby Industries are to be used in conjunction with, not as a replacement for, trained professionals.

Approved For Manufacturing By: _____ Date: _____ Company: _____
 Wall Thickness: _____ Wall Type: _____

VERIFY ALL DIMENSIONS WITH FACTORY PRIOR TO ROUGH-IN
 WILLOUGHBY RESERVES THE RIGHT TO MAKE CHANGES IN DESIGN AND DIMENSIONS WITHOUT FORMAL NOTICE AND WITHOUT INCURRING OBLIGATION.



visit our website at www.willoughby-ind.com
 5105 West 78th Street • Indianapolis, IN. 46268
 (317) 875-0830 • Fax: (317) 875-0837 • (800) 428-4065



MADE IN THE U.S.A.