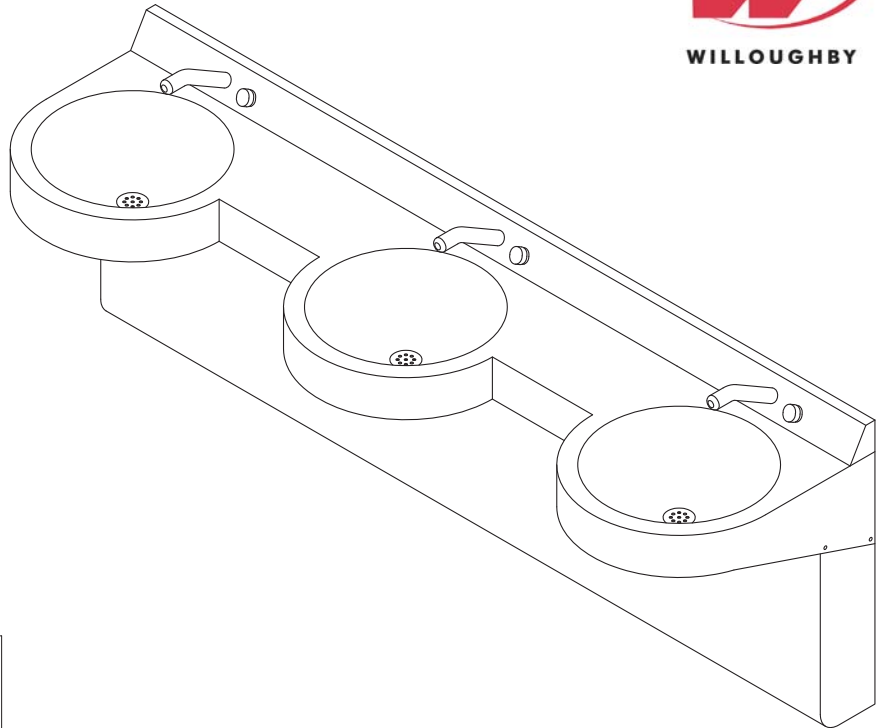


## CWLDR Series Round Front Stainless Steel Lavatory Deck



*(Unit may be shown with optional features)*

To specify fixture and accessories, use the Model Number and Options page.

Example: To specify a Round Front, Stainless Steel Lavatory Deck with 3 stations, standard off-floor mounting (34" rim height), backsplash mounted spouts, single temp pneumatic palm push buttons, standard lav. overflow vents, and thermostatic mixing valve

Use the following Willoughby Model Number:

**CWLDR-3-OF-BMS-PLPB1-OV-TMV**

### Recommended Specifications

Round Front, Stainless Steel Lavatory Deck shall be:  
Willoughby Model No. **CWLDR**  
(select from model number and options list on next page)

Fixture shall be fabricated from 14 gauge, Type 304 stainless steel. The construction is all-welded with exposed stainless surfaces polished to a #3 satin finish.

Standard lavatory deck shall include:

- Ø15-3/4" by 5" deep lavatory bowls
- Basin overflows
- Fast drains with overflow vents
- Elbow waste w/ tailpiece-type connections for Ø1-1/2" slip-joint P-trap installations (P-traps by others)
- Stainless steel trap enclosure/pipe shroud

#### Mounting:

Anchoring shall be from the front with Z-clip and anchoring holes provided. Anchoring hardware by others. Wall requires adequate backing to support lavatory deck. Unit requires no chase area for installation and maintenance.

#### ADA, TAS, and ANSI Compliant:

When the lavatory is mounted at the standard 34" adult rim height, it complies with applicable ADA, TAS, and ANSI Z124.3 and Z124.6 accessibility guidelines. Lavatory deck can be ordered with 31" rim height for juvenile use (JR).

*Note: Plug-in transformer must be used with a ground fault interrupter (GFCI) receptacle to prevent possible electrical shock.*



**WARNING:** Cancer and Reproductive Harm

- [www.P65Warnings.ca.gov](http://www.P65Warnings.ca.gov)

visit our website at [www.willoughby-ind.com](http://www.willoughby-ind.com)  
5105 West 78th Street • Indianapolis, IN. 46268  
(317) 875-0830 • Fax: (317) 875-0837 • (800) 428-4065



MADE IN THE U.S.A.

# MODEL NUMBER AND OPTIONS:

## 1.) Lavatory Model:

- CWLDR Round Front Stainless Steel Lavatory Deck

## 2.) Number of Wash Stations:

- 1 (19" Width)  
 2 (49" Width)  
 3 (79" Width)  
 4 (109" Width)

## 3.) Lavatory Mounting:

- OF Off-floor Mounted

## 4.) Spout Selection:

- DMS Deck Mounted Spouts, 0.5 GPM (Offset to side of bowl)  
 BMS Backsplash Mounted Spouts, 0.5 GPM

## 5.) Valve Selection:

- NV No Valve, No Spout- Faucet by Others (Select Hole Punching if needed)  
 PLPB1 Pneumatic Palm Push Buttons for Single Temperature Pneumatic Metering  
 PZPB1 Ligature-resistant Piezo Electronic Push Buttons for Single Temperature Electronic (w/ Pneutronic Control)\*\*/\*\*  
 IR Infrared Sensors, Hard-wired (Must select (DMS) Deck Mounted Spout)\*  
 BO Infrared Sensors, Battery Operated (Must select (DMS) Deck Mounted Spout)

## 6.) Hole Punching Selection (Faucet by Others):

- 1CC Center Shank, (1) Ø1-1/4" Hole (Requires offset mounting)  
 SP Special Punching (Specify hole punching dim.)  
 SP: \_\_\_\_\_

## 7.) Lavatory Waste Options:

- LE Less Trap Enclosure  
 OV Overflow Vent (Standard)

## 8.) Other Options:

- KPLD Lavatory Kick Plate  
 TMV In-line Thermostatic Mixing Valve  
 DC Decorator Color (Fixture exterior only - White)  
 LSDM Liquid Soap Dispensers- Deck-mounted Spout and Bottle  
 JR Junior Height (31" Rim Height, JR. ADA Compliant)  
 TF24H Hard-wired Transformer, 110VAC to 24VAC\* (Standard)  
 TF24P Plug-in Transformer, 110VAC to 24VAC\*  
 Other \_\_\_\_\_  
 Other \_\_\_\_\_

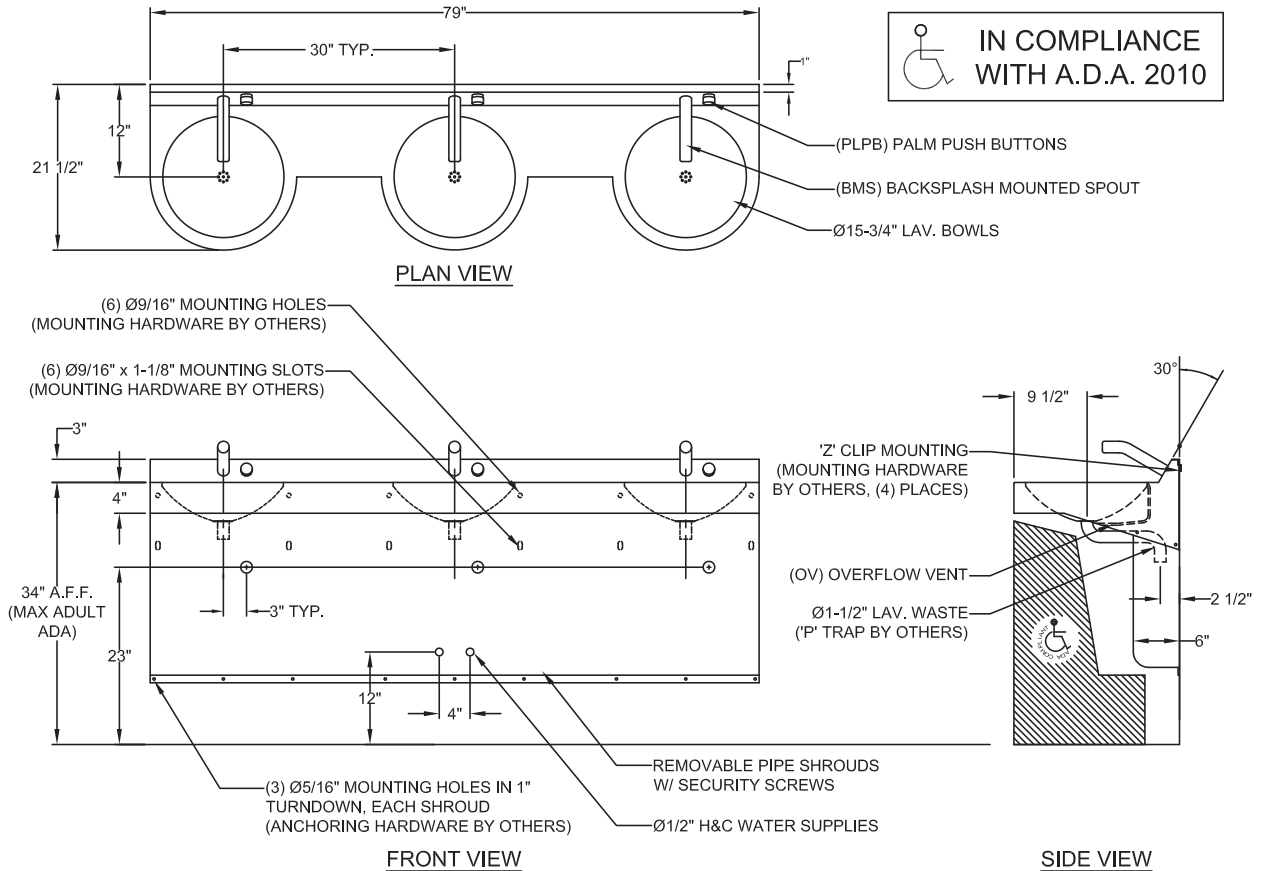
\*(Req. 110V power through ground fault interrupter (GFCI) receptacle)

## \*\*LIGATURE-RESISTANT DISCLAIMER

This product is designed to minimize ligature points. While every effort has been made to reduce the possibility of ligature points, this product does not eliminate all risks. Ligature-Resistant products by Willoughby Industries are to be used in conjunction with, not as a replacement for, trained professionals.

Approved For Manufacturing By: \_\_\_\_\_ Date: \_\_\_\_\_ Company: \_\_\_\_\_  
 Wall Thickness: \_\_\_\_\_ Wall Type: \_\_\_\_\_

**VERIFY ALL DIMENSIONS WITH FACTORY PRIOR TO ROUGH-IN**  
 WILLOUGHBY RESERVES THE RIGHT TO MAKE CHANGES IN DESIGN AND DIMENSIONS WITHOUT FORMAL NOTICE AND WITHOUT INCURRING OBLIGATION.



 **IN COMPLIANCE WITH A.D.A. 2010**

visit our website at [www.willoughby-ind.com](http://www.willoughby-ind.com)  
 5105 West 78th Street • Indianapolis, IN. 46268  
 (317) 875-0830 • Fax: (317) 875-0837 • (800) 428-4065



MADE IN THE U.S.A.