

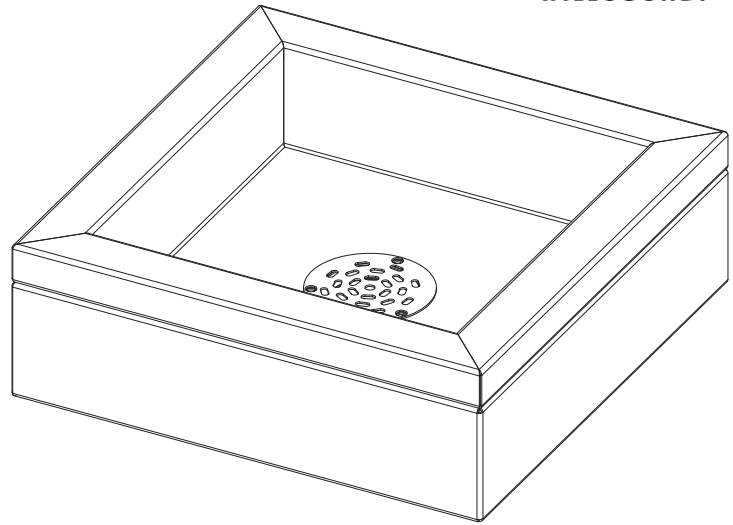
CWMS Series Commercial Mop Sink

Recommended Specifications

Commercial Mop Sink shall be:
Willoughby Model No. **CWMS-____**
(select model from table and options list)

Entire fixture shall be fabricated from 16 GA, Type 304 stainless steel. The construction shall be all-welded, with exposed exterior stainless surfaces polished to a #4 satin finish.

Standard equipment shall include: rectangular shaped sink (as selected from table), 3" caulk drain w/ removable strainer.



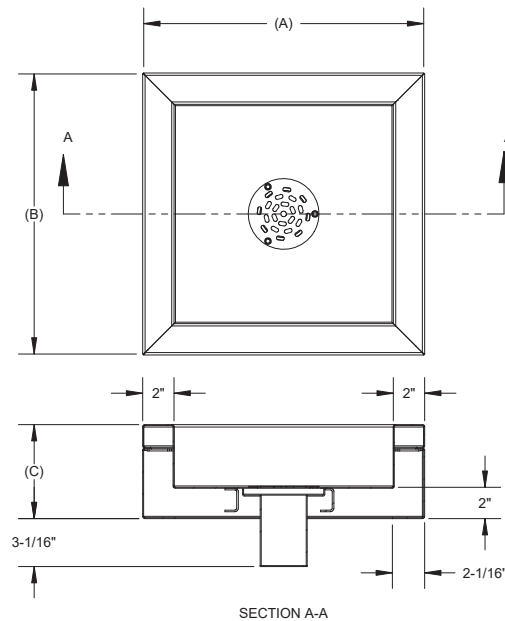
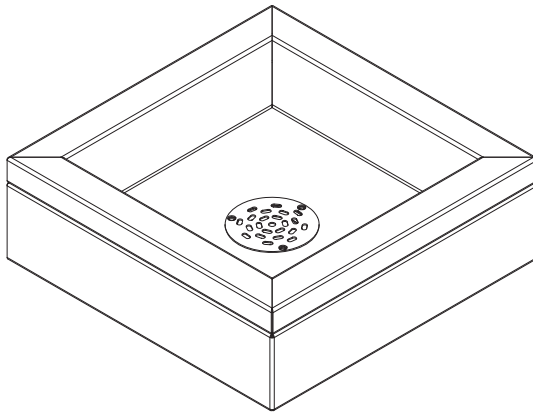
(Unit may be shown with optional features)

✓	MODEL NUMBER	SIZE: A x B x C
	CWMS-24246	24" x 24" x 6"
	CWMS-242412	24" x 24" x 12"
	CWMS-32326	32" x 32" x 6"
	CWMS-323212	32" x 32" x 12"
	CWMS-36366	36" x 36" x 6"
	CWMS-363612	36" x 36" x 12"

Other Options:

- KH60 60" Long Hose w/ Wall Hanger
- KMH 3 Mop Hanger- Stainless Steel Bracket
- KWG24 Stainless Steel Wall Guard 12" x 24", Specify Quantity: _____
- KWG32 Stainless Steel Wall Guard 12" x 32", Specify Quantity: _____
- KWG36 Stainless Steel Wall Guard 12" x 36", Specify Quantity: _____

VERIFY ALL DIMENSIONS WITH FACTORY PRIOR TO ROUGH-IN
WILLOUGHBY RESERVES THE RIGHT TO MAKE CHANGES IN DESIGN AND DIMENSIONS WITHOUT FORMAL NOTICE AND WITHOUT INCURRING OBLIGATION.



WARNING: Cancer and Reproductive Harm

- www.P65Warnings.ca.gov

visit our website at www.willoughby-ind.com
5105 West 78th Street • Indianapolis, IN. 46268
(317) 875-0830 • Fax: (317) 875-0837 • (800) 428-4065



MADE IN THE U.S.A.