

WILLOUGHBY INDUSTRIES
LIGATURE-RESISTANT
DIVERTER VALVE

**INSTALLATION AND
OPERATION MANUAL**

DVLR PART#: **701505**

STANDARD FEATURES

- Willoughby (DVLR) Ligature-resistant Diverter Valve is designed to allow users to divert water between two shower heads.
- Specifically for use within mental & behavioral healthcare facilities.
- Recommended operational pressure, 35-70 PSI.

DISASSEMBLY

1. Unscrew Security Screw and remove Valve Handle and Insert (Insert will likely remain in handle).
2. While holding the Diverter Valve Body, unscrew the (2) Phillips Head Long Screws from the Valve Body tappings.
3. The Trim Ring and Mounting Bracket can be easily removed, and the DVLR is ready to be installed.

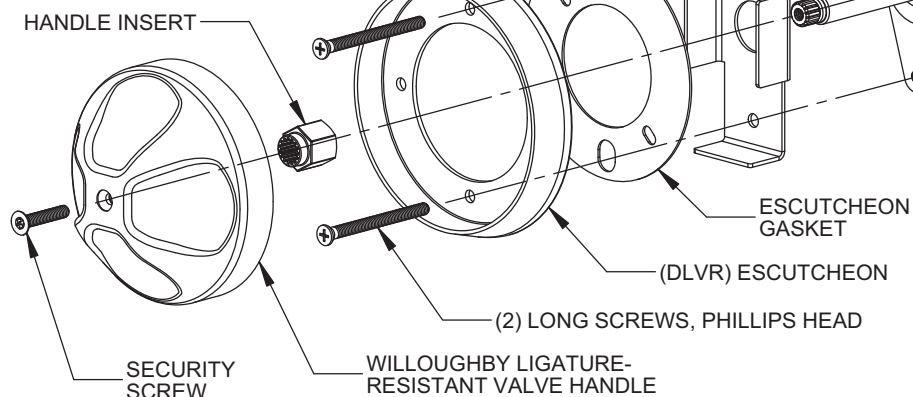
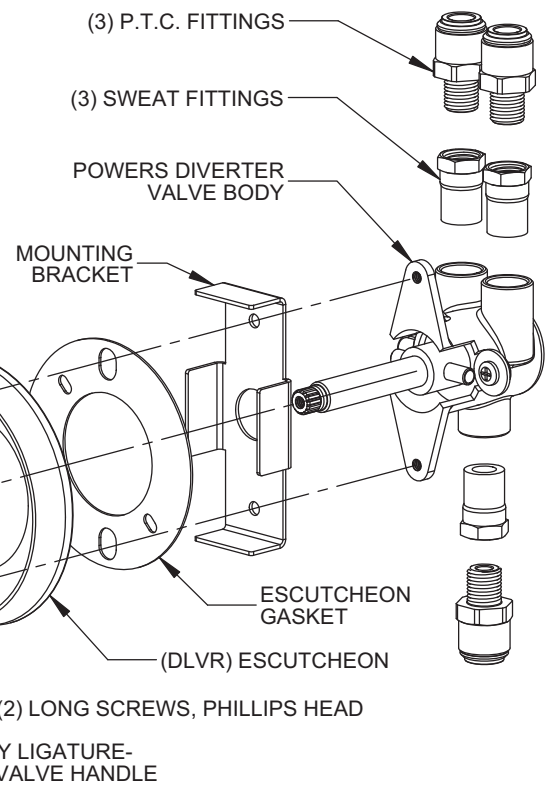
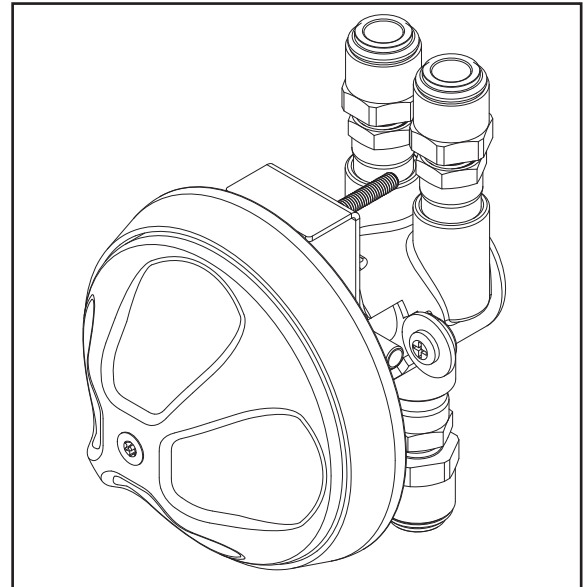
INSTALLATION

1. Align Mounting Bracket (if completing a thin-wall installation) and Valve Body with mounting holes from the rear of the fixture.
2. From the User Side, align the (2) Phillips Head Long Screws (included with valve body) and Trim Ring with the mounting holes.
3. Tighten Screws into the Valve Body tappings.
4. Install the Handle Insert and Valve Handle onto the end of the Valve Body stem, and secure with the Security Screw.
5. After thorough flushing, connect valve to water lines using either the 1/4" MPT Sweat Fittings or 3/8" PTC Fittings (both included).

OPERATION

- To use (DVLR) to change water delivery from one shower head to another, the user must turn off the water supply first.
- Once water is off, the user will then be able to use the (DVLR) to re-direct water supply.

SEE FOLLOWING PAGE
FOR VALVE DIMENSIONS
AND PART NUMBERS

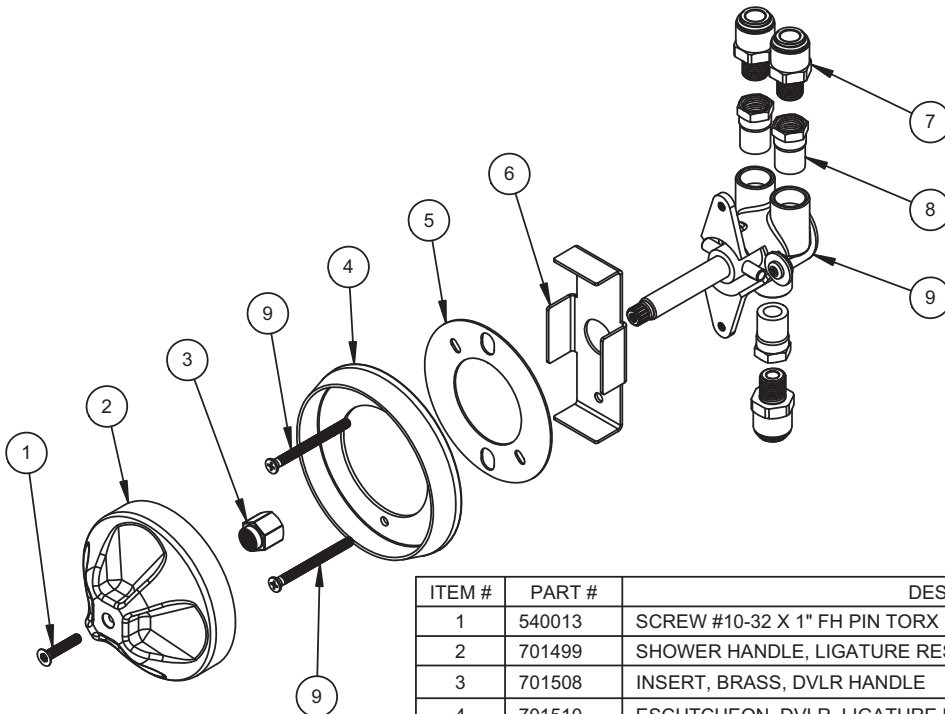
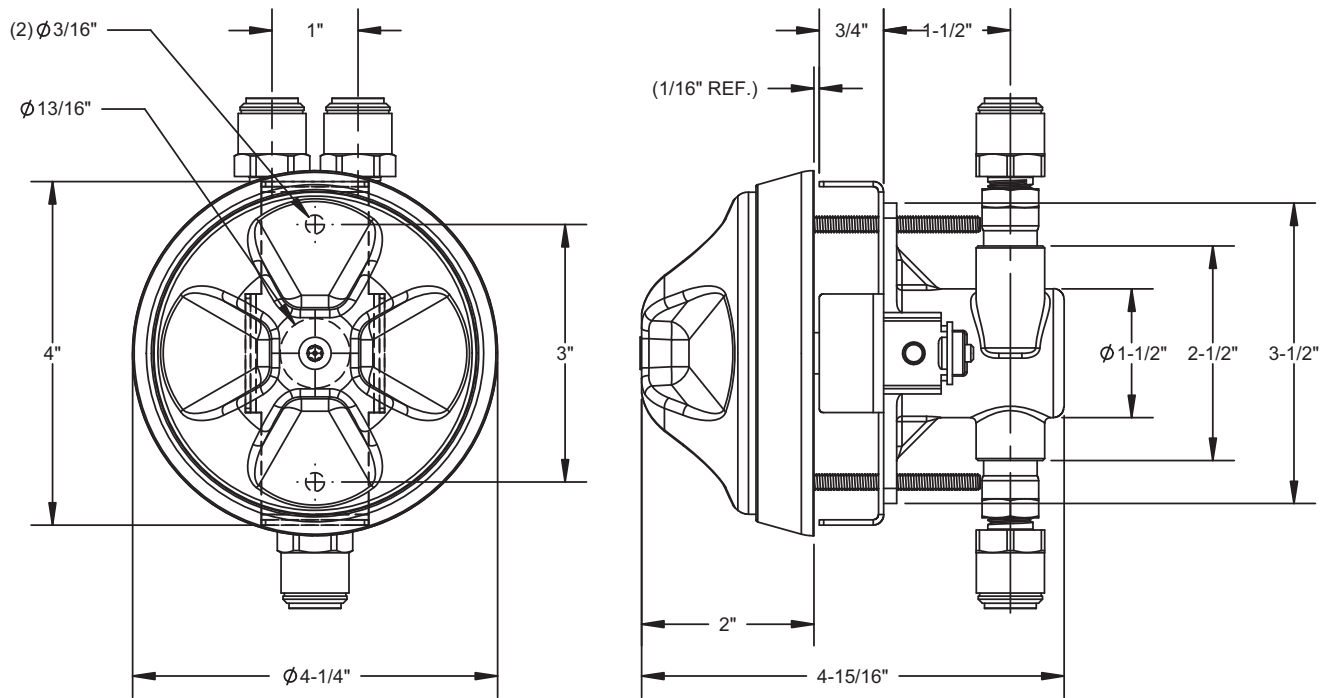


WILLOUGHBY

COUNT ON US.

1.800.428.4065 TOLL FREE | www.willoughby-ind.com

(DVLR) DIVERTER VALVE: Dimensions & Part Numbers



**ITEM #9 INCLUDES:
 DIVERTER VALVE BODY
 & (2) PHILLIPS HEAD
 LONG SCREWS**

ITEM #	PART #	DESCRIPTION	QTY.
1	540013	SCREW #10-32 X 1" FH PIN TORX	1
2	701499	SHOWER HANDLE, LIGATURE RESISTANT HANDLE SET, WILLOUGHBY	1
3	701508	INSERT, BRASS, DVLR HANDLE	1
4	701510	ESCUTCHEON, DVLR, LIGATURE RESISTANT DIVERTER VALVE	1
5	320016	GASKET, SHOWER HANDLE ESCUTCHEON	1
6	S901959	BRACKET, DVLR, DIVERTER VALVE ASSM.	1
7	320429	TUBE FITTING, ADAPTOR, 3/8 TUBE X 1/4 MPT	3
8	701509	FITTING, SWEAT, 1/4-18 NPT X 1/2" TUBE	3
9	701506	DIVERTER VALVE, POWERS 3-WAY, DVLR	1