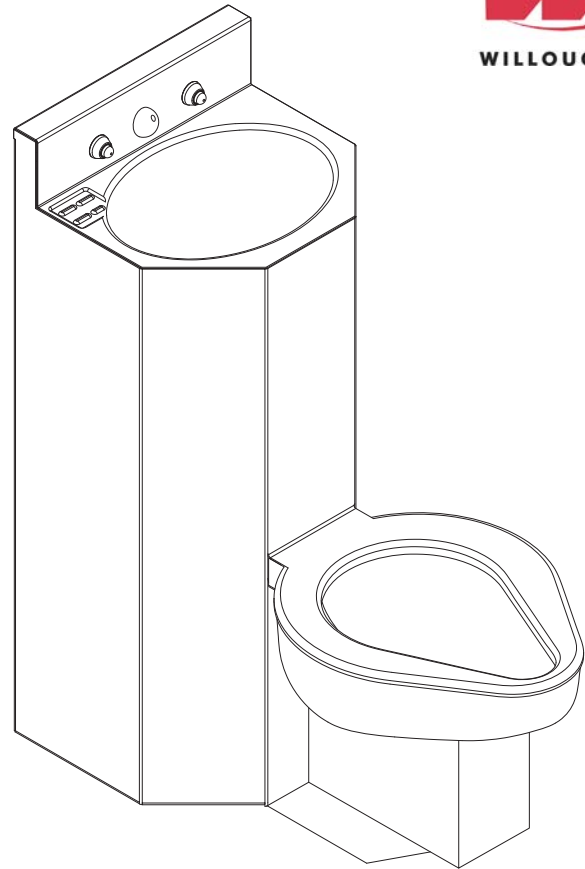


ECW-1546-150-RPF Floor Mounted Wall Outlet Replacement Combination Lavatory/Toilet For Super Secur A-150



(Unit may be shown with optional features)

Recommended Specifications

Floor Mounted, Wall Outlet, Replacement Combination lavatory/toilet (for Super Secur A-150) shall be:

Willoughby Model No. **ECW-1546-150-RPF**

(Designed to replace the discontinued **Super Secur A-150**)

Fixture shall be fabricated from 14 GA, Type 304 stainless steel. The construction shall be all welded, with exposed stainless surfaces polished to a #3 satin finish.

Standard toilet shall include: elongated toilet bowl with contoured seat, integral crevice-free self-draining flushing rim with positive afterfill and fully enclosed 2-3/8" O.D. trap which shall maintain a minimum 2" seal and pass a 2" ball. Toilet shall be blowout type which requires 35 psi minimum flushing pressure.

Standard lavatory shall include: oval shaped bowl, 13" x 9-1/2" x 6" deep, stainless steel penal filler/bubbler, fast drain with air vent, combined waste w/ cleanout** and self-draining soap dish.

Fixture shall withstand loadings up to 2,000 lbs. with no measurable deflection and loadings up to 5,000 lbs. with no permanent damage.

Cabinet interior shall be sound deadened with fire-resistant material.

Anchoring hardware by others. Unit shall require chase area for installation and maintenance.

On back to back fixture installations, do not use standard cross type waste fitting: cross flow may result due to blowout jet action. Use sanitary or offset type waste fittings.

Note: Unit will pass a 2" ball.

Note: Fixture should only be used with a listed high-efficiency flushometer to ensure the complete system meets the requirements of WaterSense.

**** Check applicable plumbing code for acceptability.**



WARNING: Cancer and Reproductive Harm

- www.P65Warnings.ca.gov

visit our website at www.willoughby-ind.com
5105 West 78th Street • Indianapolis, IN. 46268
(317) 875-0830 • Fax: (317) 875-0837 • (800) 428-4065



MADE IN THE U.S.A.

MODEL NUMBER AND OPTIONS:

1.) Base Model Number:

- ECW-1546-150-RPF Floor Mounted, Wall Outlet, Replacement Combination Lavatory/Toilet for Super Secur A-150

2.) Toilet Orientation:

- C Centered

3.) Fixture Mounting:

- ON On-Floor

4.) Bubbler Selection:

- BPH Ligature-resistant Bubbler/Filler (Standard)**
- BC Code Bubbler/Filler (w/ Mouth Guard)
- FLH Ligature-resistant Lav. Filler**

5.) Lavatory Valve Selection:

- NV No Valve
- PSL1 Single Temp. Pneumatic Non-metering
- PSL2 Dual Temp. Pneumatic Non-metering
- PML1 Single Temp. Pneumatic Metering
- PML2 Dual Temp. Pneumatic Metering
- E1L1 Single Temp. Electronic (Pick Control)*
- E1L2 Dual Temp. Electronic (Pick Control)*

Valve Manifold Options:

- Pneumatic or Electronic Only:*
- MA2 MA3 MA4

6.) Lavatory Valve Actuation:

- PBH Ligature-resistant Push Buttons**
- PZPB Ligature-resistant Piezo Piezo Push Buttons***

7.) Electronic Controls*

(Must Use Electronic Lavatory & Flush Valves):

- WUCC-3010 Pneumatic WMSII

8.) Lavatory Waste:

- OV Lavatory Overflow
- CW1 Combined Waste w/o Clean-out
- CW2 Combined Waste w/ Clean-out (Standard)
- SLOW Slow Drain

9.) Toilet Waste:

- PC3 Pinned Clean-Out Plug PVC-3"
- PCB3 Pinned Clean-Out Plug Brass-3"
- PC4 Pinned Clean-Out Plug PVC-4"
- PCB4 Pinned Clean-Out Plug Brass-4"
- GWC Gasketed Waste Connection (Standard)

10.) Flush Valve GPF'S (Must Specify):

- FV Hydraulic Flush Valve (Includes Actuator)
 - 1.28 GPF HET (4.8 Lpf)
 - 1.6 GPF ULF (6.0 Lpf)
 - 3.5 GPF (13.2 Lpf)
- EFVP Electronic Flush Valve w/ (PZPB) Ligature-resistant Piezo Push Button (Pick Control)**
- NFV Flush Valve Provided by Others

11.) Options

- T4 Manual Reset Toilet Overflow Preventer, Req.(FV)
- T4A Auto Reset Toilet Overflow Preventer, Req. (FV)
- ET4 Electronic Toilet Overflow Preventer, Requires (EFVP) & (WUCC-3010) or (WMSII)*
- TFE Toilet Flush Extension (Specify if more than 1-7/8")
- FVT Flush Valve Connection
- HS Hinged White Plastic Seat (No Cover, not recommended for Maximum Security/Ligature-resistant use)

[Other Options CONTINUED:]

- RTH__ Recessed Tissue Holder
- L LF C RF R
- TB1__ Single Toothbrush Holder
- L R
- TB2__ Dual Toothbrush Holder
- L R
- TH1__ Single Towel Hook
- L LF C RF R
- TH2__ Dual Towel Hook
- L LF C RF R
- DC Decorator Color (Fixture exterior only - White)
- TF24H Hard-wired Transformer, 110VAC to 24VAC*
- TF24P Plug-in Transformer, 110VAC to 24VAC*
- HPS High Polish Seat
- VG Vent Grille, 6-1/2"x 9-1/2" (13-3/4 in² free area)
- L LF RF R
- TG 12 Gauge Cabinet
- TSC Toilet Shipping Cover
- Other _____
- Other _____

*(Req. 110V power through ground fault interrupter (GFCI) receptacle / breaker)

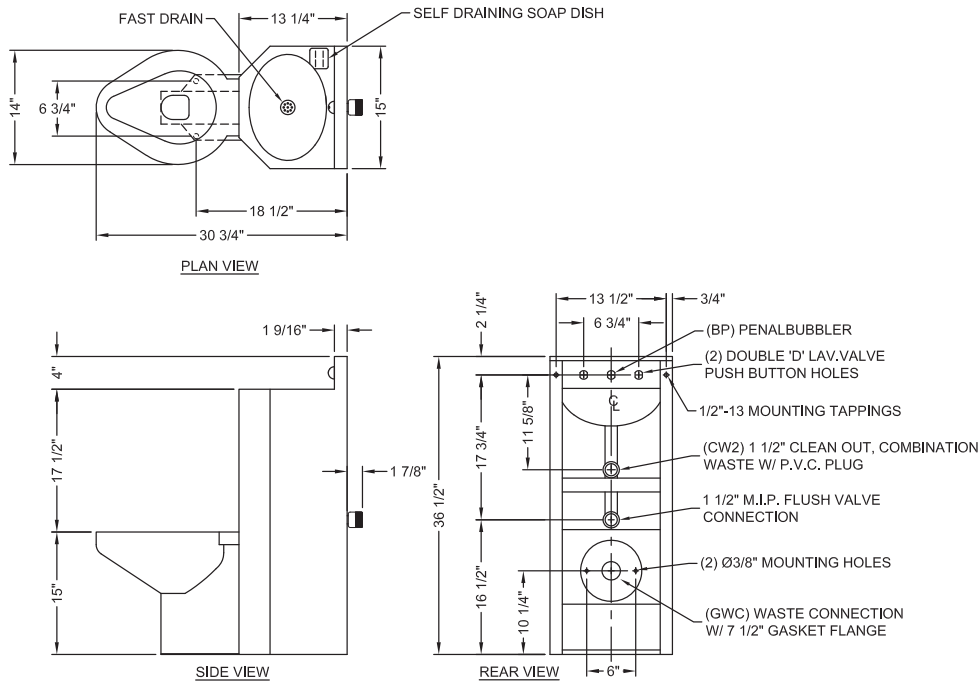
**LIGATURE-RESISTANT DISCLAIMER

This product is designed to minimize ligature points. While every effort has been made to reduce the possibility of ligature points, this product does not eliminate all risks. Ligature-Resistant products by Willoughby Industries are to be used in conjunction with, not as a replacement for, trained professionals.

[CONTINUED IN NEXT COLUMN:]

Approved For Manufacturing By: _____ Date: _____ Company: _____
 Wall Thickness: _____ Wall Type: _____

VERIFY ALL DIMENSIONS WITH FACTORY PRIOR TO ROUGH-IN
 WILLOUGHBY RESERVES THE RIGHT TO MAKE CHANGES IN DESIGN AND DIMENSIONS WITHOUT FORMAL NOTICE AND WITHOUT INCURRING OBLIGATION.



visit our website at www.willoughby-ind.com
 5105 West 78th Street • Indianapolis, IN. 46268
 (317) 875-0830 • Fax: (317) 875-0837 • (800) 428-4065



MADE IN THE U.S.A.