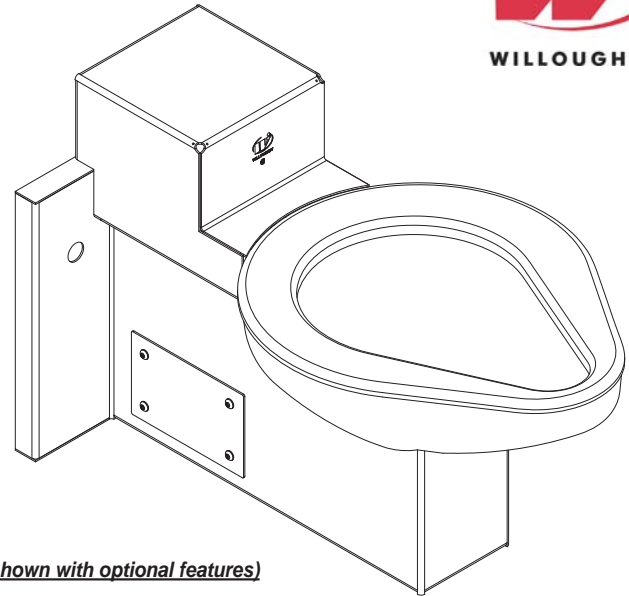




ETW-1490-CM-RPF Replacement Carrier Mounted (3-bolt) Wall Outlet Blowout Series Toilet



Recommended Specifications

(Unit may be shown with optional features)

Replacement, Carrier Mounted (3-bolt), Wall Outlet, Blowout Series Toilet shall be: Willoughby Model No. **ETW-1490-CM-RPF**

Fixture shall be fabricated from 14 GA, Type 304 stainless steel. The construction shall be an all welded, with exposed stainless surfaces polished to a #3 satin finish.

Standard toilet shall include: elongated toilet bowl with contoured seat, integral crevice-free self-draining flushing rim with positive afterfill and fully enclosed 2-3/8" O.D. trap which shall maintain a minimum 2" seal and pass a 2" ball.

Toilet shall be blowout type which requires 35 psi minimum flushing pressure. Model shall meet the requirements of ASME A112.19.3/CSA B45.4.

Fixture shall withstand loadings up to 2,000 lbs. with no measurable deflection and loadings up to 5,000 lbs. with no permanent damage.

Anchoring shall be by standard 3-bolt blowout carrier (carrier and fasteners by others). Back spud unit shall require chase area for installation and maintenance.

Note: Unit will pass a 2" ball.

Note: Fixture should only be used with a listed high-efficiency flushometer to ensure the complete system meets the requirements of WaterSense.

On back to back fixture installations, do not use standard cross type waste fittings: cross flow may result due to blowout jet action. Use sanitary or offset type waste fittings.

✓	MANUFACTURER	MODEL #	V	W	X	Y	Z
	AMERICAN STANDARD	2509.057	3-1/2"	11-1/4"	11-3/4"	15 1/4"	5"
		2510.048	3-1/2"	11-1/4"	11-3/4"	15 1/4"	N/A
		2511.012	3-1/2"	11-1/4"	11-3/4"	15 1/4"	5"
		2512.010	3-1/2"	11-1/4"	11-3/4"	15 1/4"	N/A
		2513.018	3-1/2"	11-1/4"	11-3/4"	15 1/4"	5"
		2515.013	3-1/2"	11-1/4"	11-3/4"	15 1/4"	5"
	CRANE	3-460	3-1/2"	11-1/4"	12-1/4"	15 3/4"	N/A
		3-462	3-1/2"	11-1/4"	12-1/4"	15 3/4"	4-3/4"
		3-462E	3-1/2"	11-1/4"	12-1/4"	15 3/4"	4-3/4"
		3-464	3-1/2"	11-1/4"	12-1/4"	15 3/4"	4-3/4"
		3-464E	3-1/2"	11-1/4"	12-1/4"	15 3/4"	4-3/4"
	ELGER	111-0355	3-1/2"	11-1/4"	11-1/2"	15"	N/A
		111-0365	3-1/2"	11-1/4"	11-1/2"	15"	5"
		111-0377	3-1/2"	11-1/4"	11-1/2"	15"	5"
	KOHLER	K-4450-ET	3-1/2"	11-1/4"	11"	14-1/2"	N/A
		K-4460-ER	3-1/2"	11-1/4"	11"	14-1/2"	5 1/2"
		K-4475-ER	3-1/2"	11-1/4"	11"	14-1/2"	5 1/2"
		K-4450-C	4"	11-3/4"	11"	15"	N/A
		K-4460-C	4"	11-3/4"	11"	15"	5 1/2"
		K-4475-C	4"	11-3/4"	11"	15"	5 1/2"
	SUPER SECUR	A-300	3-1/2"	11-1/4"	11-1/4"	14-3/4"	5-1/4"



WARNING: Cancer and Reproductive Harm

- www.P65Warnings.ca.gov



MADE IN THE U.S.A.

visit our website at www.willoughby-ind.com
5105 West 78th Street • Indianapolis, IN. 46268
(317) 875-0830 • Fax: (317) 875-0837 • (800) 428-4065

MODEL NUMBER AND OPTIONS:

1.) Base Model Number:

- ETW-1490-CM-RPF Replacement, Carrier Mounted (3-bolt), Wall Outlet, Blowout Series Toilet

2.) Inlet Location:

- BS Back Spud
- TS Top Spud

3.) Toilet Waste:

- GWC Gasketed Waste Connection (Standard)

4.) Flush Valve:

- FV Hydraulic Flush Valve (Includes Actuator)
 - 1.28 GPF HET (4.8 Lpf) 1.6 GPF ULF (6.0 Lpf)
 - 3.5 GPF (13.2 Lpf)
- EFVP Electronic Flush Valve w/ (PZPB) Ligature-resistant Piezo Push Button (Pick Control)**
 - 1.28 GPF HET (4.8 Lpf) 1.6 GPF ULF (6.0 Lpf)
 - 3.5 GPF (13.2 Lpf)
- NFV Flush Valve Provided by Others

5.) Other Options:

- T4 Manual Reset Toilet Overflow Preventer, Requires: (FV) Hydraulic Flush Valve and Accessible Chase
- ET4 Electronic Toilet Overflow Preventer*, Requires (EFVP), Accessible Chase, & (WUCC-3010) or (WMSII) control
- FVT Flush Valve Connection (Back Spud Only)
- ASFVC Flush Valve Cover (Ligature-resistant, Top Spud Only)**
- ASFVCADA Ligature-resistant ADA Flush Valve Cover (Top Spud Only)**
- AP Flush Valve Access Panel (Allows access to chase-mounted flush valve from fixture side)

[Other Options CONTINUED:]

- HS Hinged White Plastic Seat (No Cover, not recommended for Maximum Security/Ligature-resistant use)
- DC Decorator Color (Fixture exterior only - White)
- TF24H Hard-wired Transformer, 110VAC to 24VAC*
- TF24P Plug-in Transformer, 110VAC to 24VAC*
- HPS High Polish Seat
- TSC Toilet Shipping Cover
- RTH1 Wall Mounted Recessed Tissue Holder (Rear Mounted, Requires Accessible Chase)
- RTH2 Wall Mounted Recessed Tissue Holder (Front Mounted, 4-1/2" Depth)
- RFVB Remote Flush Valve with Box
- REFVB Remote Electronic Flush Valve with Box*
- Other _____
- Other _____

6.) Electronic Controls* (Must Use Electronic Flush Valve):

- WUFC-4000 Pneutronic WMSII
- WUCC-3010 (Select WUCC-3010 Control if pairing a Toilet with a Lavatory or if the Toilet is selected with an (ET4) overflow option)

*(Req. 110V power through ground fault interrupter (GFCI) receptacle / breaker)

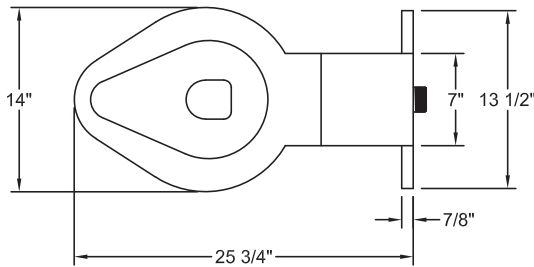
****LIGATURE-RESISTANT DISCLAIMER**

This product is designed to minimize ligature points. While every effort has been made to reduce the possibility of ligature points, this product does not eliminate all risks. Ligature-Resistant products by Willoughby Industries are to be used in conjunction with, not as a replacement for, trained professionals.

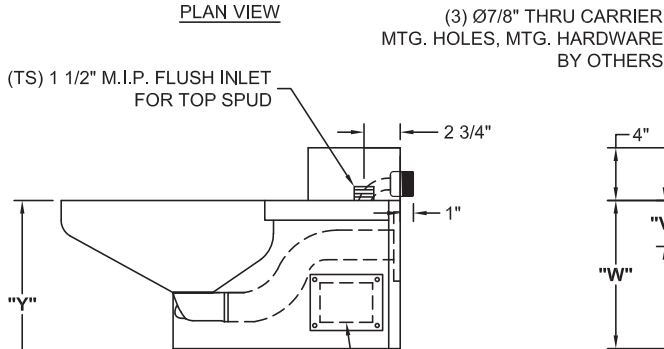
[CONTINUED IN NEXT COLUMN:]

Approved For Manufacturing By: _____ Date: _____ Company: _____
 Wall Thickness: _____ Wall Type: _____

VERIFY ALL DIMENSIONS WITH FACTORY PRIOR TO ROUGH-IN
 WILLOUGHBY RESERVES THE RIGHT TO MAKE CHANGES IN DESIGN AND DIMENSIONS WITHOUT FORMAL NOTICE AND WITHOUT INCURRING OBLIGATION.

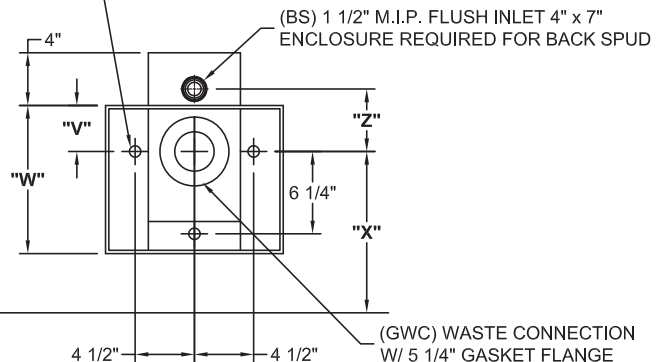


PLAN VIEW



SIDE VIEW

(3) Ø7/8" THRU CARRIER MTG. HOLES, MTG. HARDWARE BY OTHERS



REAR VIEW

visit our website at www.willoughby-ind.com

5105 West 78th Street • Indianapolis, IN. 46268

(317) 875-0830 • Fax: (317) 875-0837 • (800) 428-4065



MADE IN THE U.S.A.