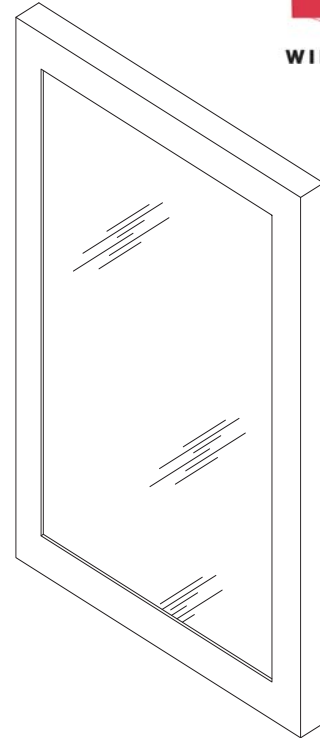
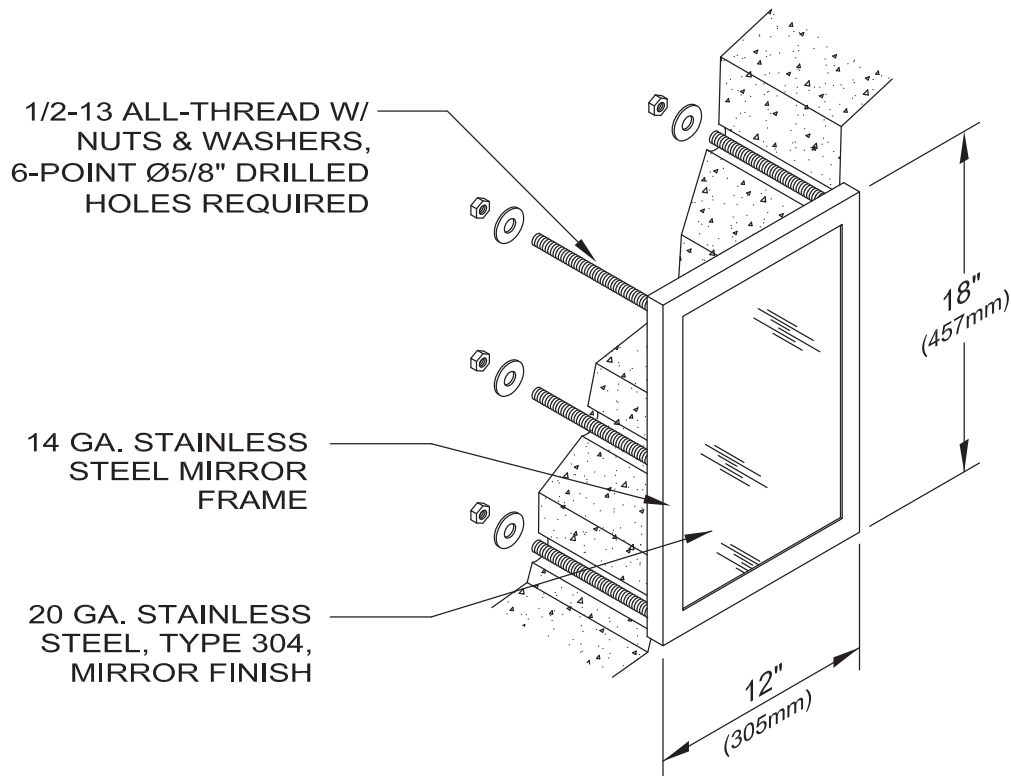


FMR1 Framed Security Mirror Rear Mounted



FMR1 framed security mirror to be 16 GA, Type 304 stainless steel, polished to a #8 non-directional mirror finish. Mirror shall be reinforced with 1/2" fiberboard backing. Anchoring shall be by a 6-point system: threaded rods, nuts and washers furnished for walls up to 8" thick. Unit requires chase for installation.



WARNING: Cancer and Reproductive Harm

- www.P65Warnings.ca.gov

visit our website at www.willoughby-ind.com
5105 West 78th Street • Indianapolis, IN. 46268
(317) 875-0830 • Fax: (317) 875-0837 • (800) 428-4065



MADE IN THE U.S.A.