



WILLOUGHBY

TITLE:

(FSS) FOLDING SHOWER SEAT- HANDICAP  
MODEL# FSS (P/N: S007328)

DRAWING #:

P201007A

TOLERANCE:

DIMENSIONS ARE +/- 1/4"  
EXCEPT AS NOTED

MATERIAL:

TYPE 304 STAINLESS STEEL AS NOTED  
#4 SATIN FINISH

DRAWN BY:

NAL

DATE:

6/19/20

REV:

A

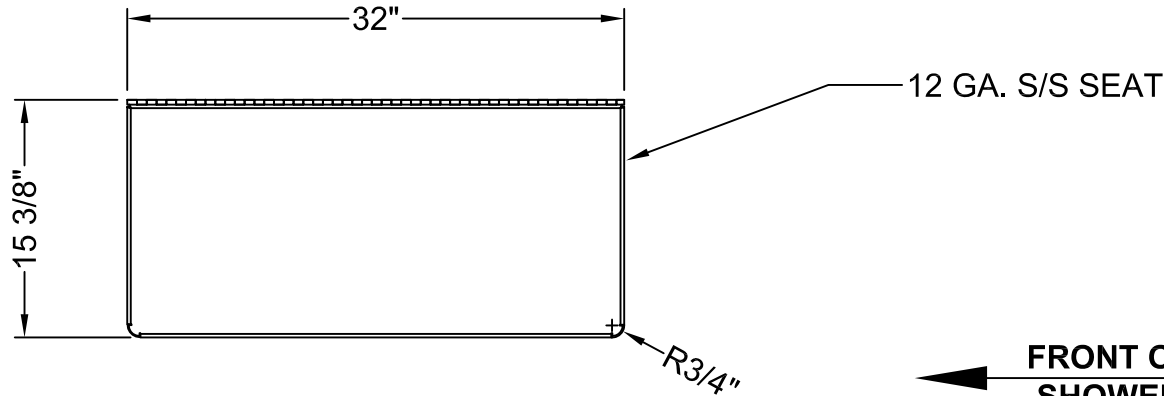
6/19/20

STANDARD DWG.



IN COMPLIANCE  
WITH A.D.A. 2010

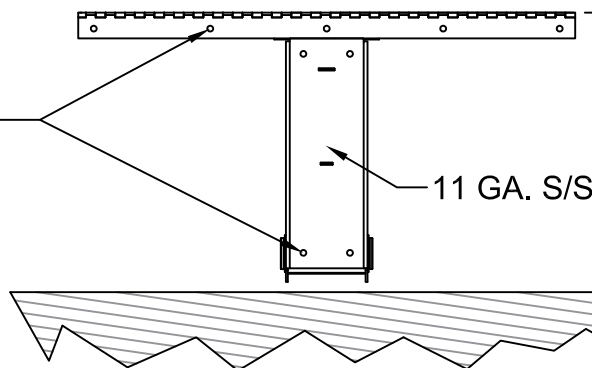
NOTE: FOLDING SEAT MUST MOUNT 1"  
OUT FROM BACK WALL TO AVOID GRAB  
BAR INTERFERENCE



FRONT OF  
SHOWER

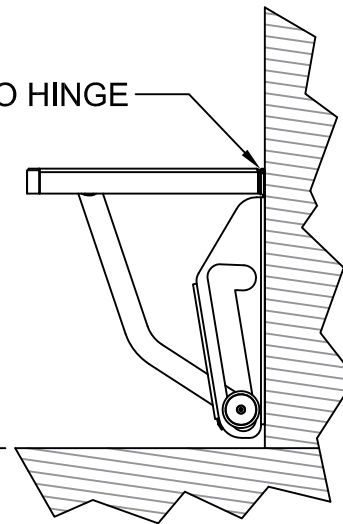
PLAN VIEW

(9) Ø3/8" ANCHORING  
HOLES, HARDWARE  
BY OTHERS

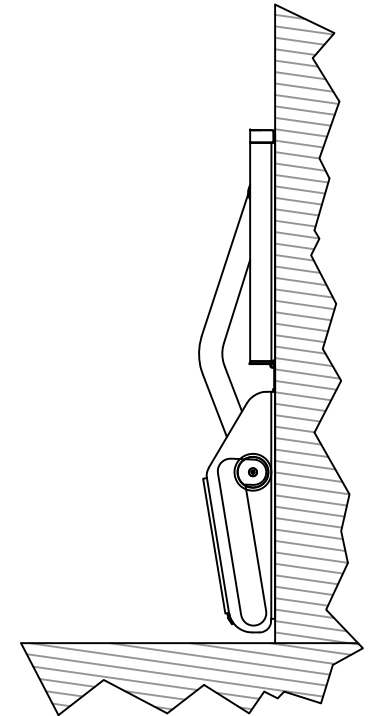


SIDE ELEVATION  
(SEAT IN DOWN POSITION)

S/S PIANO HINGE



FRONT VIEW  
SEAT IN DOWN POSITION



FRONT VIEW  
SEAT IN UP POSITION