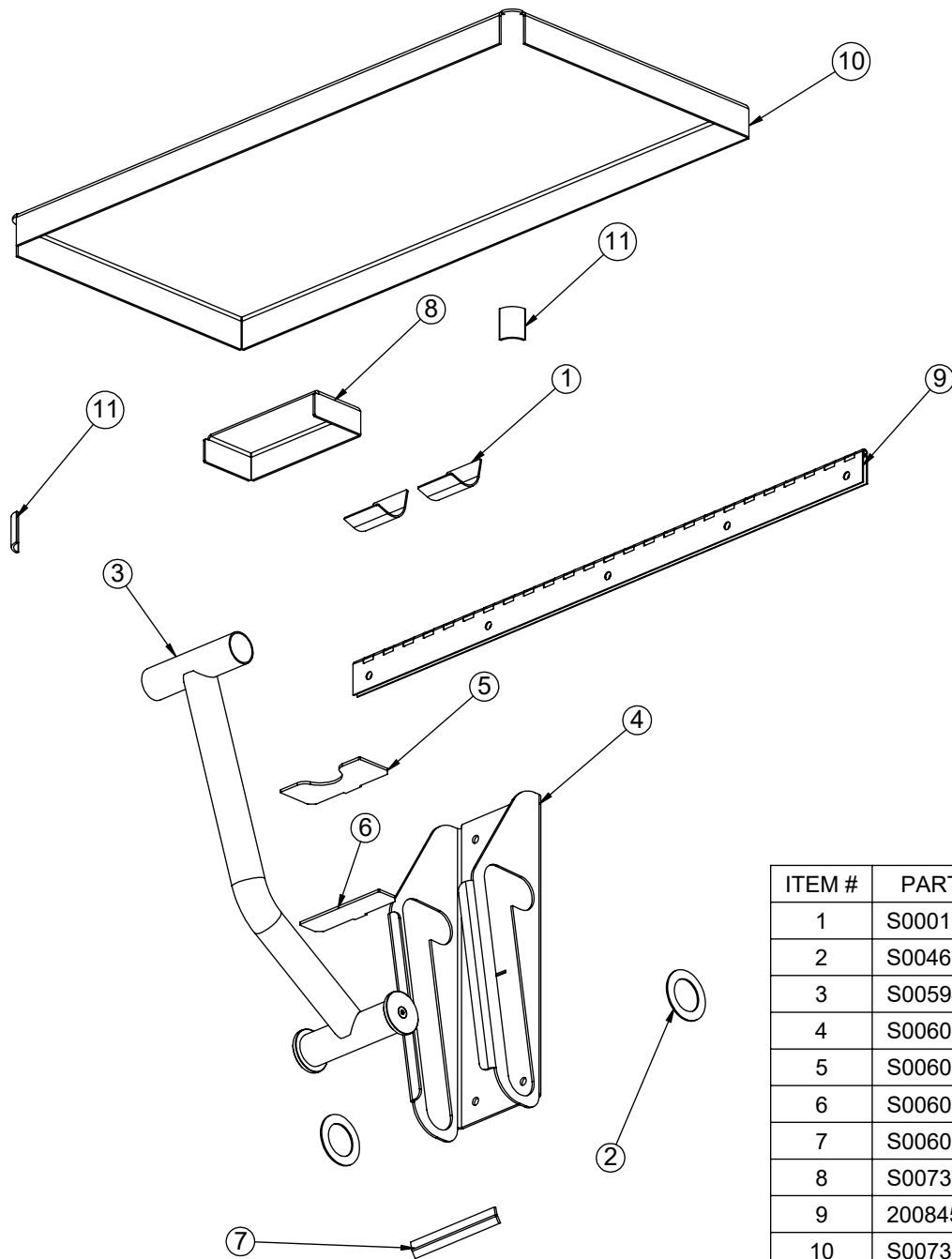

	Willoughby Industries, Inc. Indianapolis, Indiana		TITLE / DESC.: FSS-3215/WA-3215-L/R FOLD UP SEAT ASSEMBLY - UNIVERSAL - A.D.A. - 32" X 15"			PART #: S007328	
	TOLERANCES EXCEPT AS NOTED		2 PLCS: ± 0.03 3 PLCS: ± 0.015 FRACTIONS: $\pm 1/4$ " ANGLE: $\pm 1^\circ$	SIZE: A SCALE: 1:8	MAT'L: SEE BOM REF.:		REVISION: A ORIG.: NAL 6/19/20 REV.: NAL 6/19/20



ITEM #	PART #	DESCRIPTION	QTY.
1	S000168	BRACE, HANDICAP SHOWER SEAT TUBE RETAINING	2
2	S004602	WASHER, HC SHOWER SEAT	2
3	S005944	SEAT TUBE SUPPORT ASSEMBLY	1
4	S006036	WALL BRACKET, SHOWER SEAT, ADA COMPLIANT	1
5	S006037	UPPER BRACKET BRACE, SHOWER SEAT, ADA COMPLIANT	1
6	S006038	CENTER BRACKET BRACE, SHOWER SEAT, ADA COMPLIANT	1
7	S006039	LOWER BRACKET BRACE, SHOWER SEAT, ADA COMPLIANT	1
8	S007331	SEAT CHANNEL - TUBE SUPPORT	1
9	200845-32	PIANO HINGE - 3" W/ 3/16" DIA. PIN - 32" LONG	1
10	S007329	SEAT TOP, STANDARD 32" x 15" FOLD UP	1
11	S007332	FILLER, CORNER RADIUS, FOLD DOWN SEAT - 5/8"	2

 Willoughby Industries, Inc. Indianapolis, Indiana	TITLE / DESC.: FSS-3215/WA-3215-L/R FOLD UP SEAT ASSEMBLY - UNIVERSAL - A.D.A. - 32" X 15"		PART #: S007328	
	TOLERANCES EXCEPT AS NOTED	2 PLCS: ±0.03 3 PLCS: ±0.015 FRACTIONS: ±1/4" ANGLE: ±1°	SIZE: A SCALE: 1:8	MATL: SEE BOM REF.: