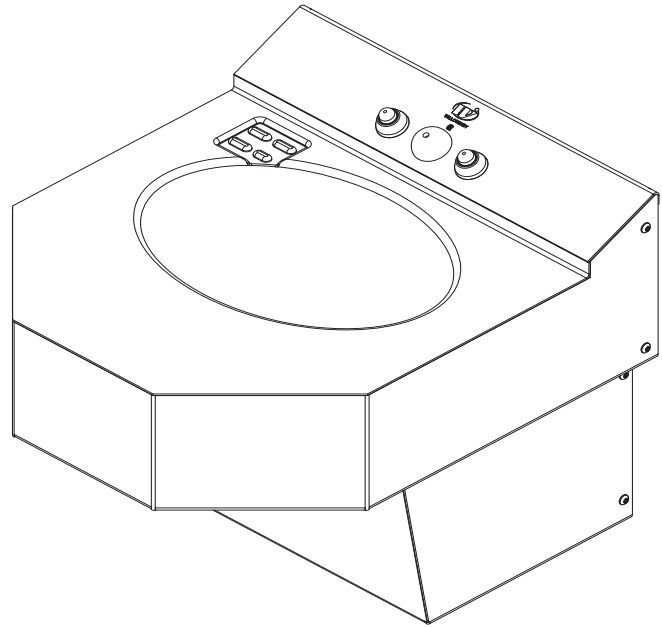


HS-1013-46-HC-FA Stainless Steel 18" Wide Front Mounted Handicap-ADA Compliant Lavatory



(Unit may be shown with optional features)

To specify fixture and accessories, use the Model Number and Options page.
Example: To specify an 18" Wide, Front Mounted, Handicap-ADA Compliant Lavatory with ligature-resistant security penal filler/bubbler and dual temp. pneumatic metering valve, ligature-resistant pneumatic push buttons, and removable 'p' trap
Use the following Willoughby Model Number:
HS-1013-46-HC-FA-SBPH-PML2-PBH-RPT

Recommended Specifications

Stainless Steel, 18" Wide, Front Mounted, Handicap-ADA Compliant Lavatory shall be:

Willoughby Model No. **HS-1013-46-HC-FA**

(Select from model number and options list on next page)

Fixture shall be fabricated from 14 GA., Type 304 stainless steel. The construction shall be all welded, with exposed stainless surfaces polished to a #4 satin finish.

Standard lavatory shall include:

- Oval-shaped bowl, 13" x 9-1/2" x 6" deep
- Stainless steel penal bubbler/filler
- Fast drain with air vent
- (1-1/2") slip joint, cast brass union 'p'-trap
- Removable bottom panel attached w/ vandal resistant screws
- Self-draining soap dish
- 0.5 GPM flow rate

Mounting:

Anchoring shall be from the front with mounting plate with anchoring holes. Unit does not require chase area for installation and maintenance; proper backing and anchoring hardware for lavatory mounting provided by others.



WARNING: Cancer and Reproductive Harm

- www.P65Warnings.ca.gov



visit our website at www.willoughby-ind.com
5105 West 78th Street • Indianapolis, IN. 46268
(317) 875-0830 • Fax: (317) 875-0837 • (800) 428-4065

MADE IN THE U.S.A.

MODEL NUMBER AND OPTIONS:

1.) Base Model Number:

- HS-1013-46-HC-FA Stainless Steel, 18" Wide, Front Mounted, Handicap-ADA Compliant Lavatory

2.) Bubblers Selection:

- SBPH Security Ligature-resistant Penal Bubbler/Filler (Standard)**
- SBC Security Code Bubbler/Filler (w/ Non Ligature-Resistant Mouth Guard) (Not for ADA compliant drinking)

3.) Lavatory Valve Selection:

- NV No Valve
- PML1 Single Temp. Pneumatic Metering
- PML2 Dual Temp. Pneumatic Metering
- E1L1 Single Temp. Electronic (pick control)*
- E1L2 Dual Temp. Electronic (pick control)*

4.) Lavatory Valve Actuation:

- PBH Ligature-resistant Pneumatic Push Buttons**
- PZPB Ligature-resistant Piezo Electronic Push Buttons**

5.) Electronic Controls* (Must Use Electronic Push Button):

- WUCC-3010 Pneutronic WMSII
- (The WUCC-3010 Control can be used to pair a Lavatory with a Toilet)

6.) Lavatory Waste:

- RPT Removable 'P'-Trap (Standard)
- OV Lavatory Overflow
- SLOW Slow Drain

7.) Options:

- MT Wall Template
- TB1 Single Toothbrush Holder
 - Right Left
- TB2 Dual Toothbrush Holder
 - Right Left
- TF24H Hard-wired Transformer, 110VAC to 24VAC*
- TF24P Plug-in Transformer, 110VAC to 24VAC*
- TH1 Single Towel Hook
 - Right Left
- TH2 Dual Towel Hook
 - Right Left
- DFBH Ligature-resistant Deck Mounted Drinking ADA Compliant Fountain Bubbler**/**
 - ** (Panel Mounted Push Button)
- Other: _____
- Other: _____

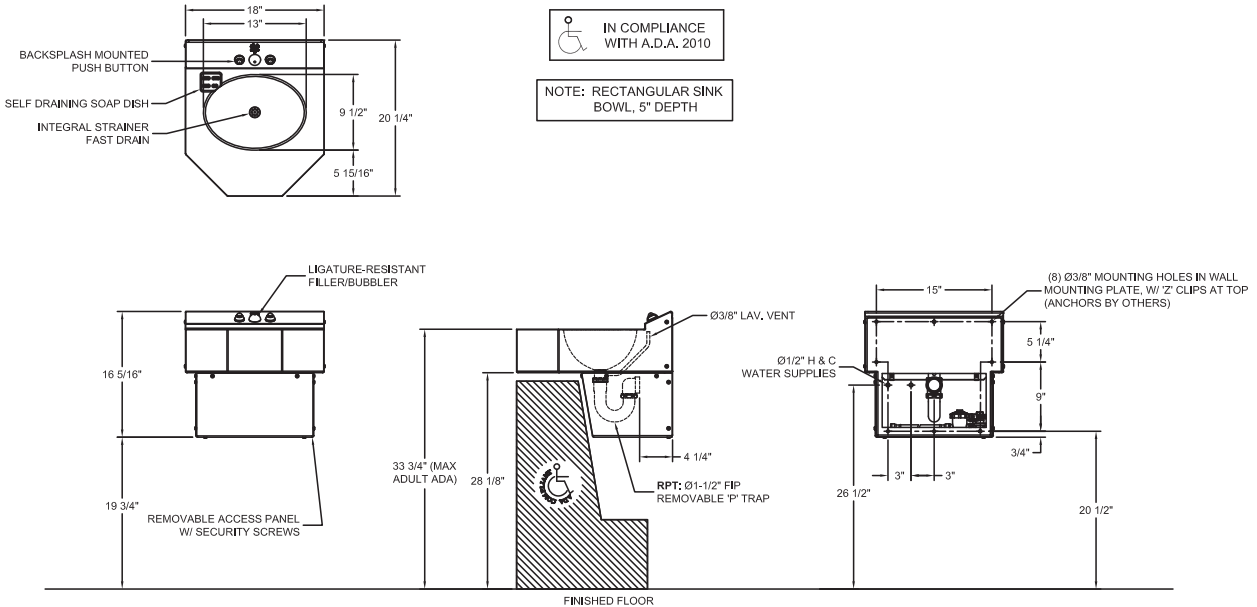
*(Req. 110V power through ground fault interrupter (GFCI) receptacle / breaker)

****LIGATURE-RESISTANT DISCLAIMER**

This product is designed to minimize ligature points. While every effort has been made to reduce the possibility of ligature points, this product does not eliminate all risks. Ligature-Resistant products by Willoughby Industries are to be used in conjunction with, not as a replacement for, trained professionals.

Approved For Manufacturing By: _____ Date: _____ Company: _____
 Wall Thickness: _____ Wall Type: _____

VERIFY ALL DIMENSIONS WITH FACTORY PRIOR TO ROUGH-IN
 WILLOUGHBY RESERVES THE RIGHT TO MAKE CHANGES IN DESIGN AND DIMENSIONS WITHOUT FORMAL NOTICE AND WITHOUT INCURRING OBLIGATION.



IN COMPLIANCE WITH A.D.A. 2010
 NOTE: RECTANGULAR SINK BOWL, 5\"/>

visit our website at www.willoughby-ind.com
 5105 West 78th Street • Indianapolis, IN. 46268
 (317) 875-0830 • Fax: (317) 875-0837 • (800) 428-4065



MADE IN THE U.S.A.