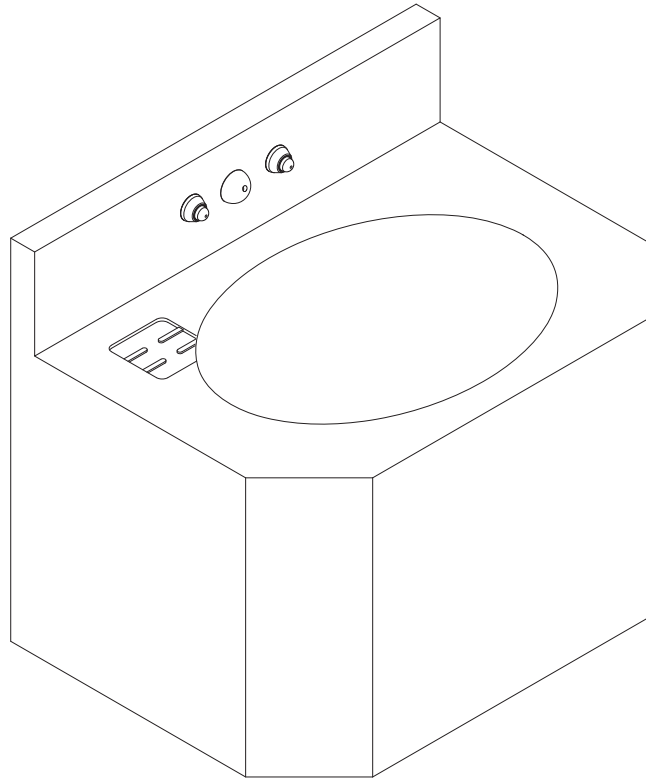


## HS-1013-96-RPF Stainless Steel Replacement 18" Wide Rear Mounted Lavatory



*(Unit may be shown with optional features)*

### Recommended Specifications

Stainless Steel, Replacement, 18" Wide, Rear Mounted, Lavatory shall be: Willoughby Model No. **HS-1013-96-RPF**

Fixture shall be fabricated from 14 GA, Type 304 stainless steel. The construction shall be all welded, with exposed stainless surfaces polished to a #3 satin finish.

Standard lavatory shall include:

- Oval-shaped bowl, 13" x 9-1/2" x 6" deep
- Stainless steel penal bubbler/filler
- Fast drain with air vent
- Elbow waste (1-1/2" Plain End)
- Self-draining soap dish

Cabinet interior shall be sound deadened with fire-resistant material.

Anchoring shall be by standard 4-point system: threaded rods, nuts and washers shall be furnished for walls up to 8" thick. Unit shall require chase area for installation and maintenance.



**WARNING:** Cancer and Reproductive Harm

- [www.P65Warnings.ca.gov](http://www.P65Warnings.ca.gov)

visit our website at [www.willoughby-ind.com](http://www.willoughby-ind.com)  
5105 West 78th Street • Indianapolis, IN. 46268  
(317) 875-0830 • Fax: (317) 875-0837 • (800) 428-4065



MADE IN THE U.S.A.

# MODEL NUMBER AND OPTIONS:

## 1.) Base Model Number:

- HS-1013-96-RPF      Stainless Steel, Replacement, 18" Wide,  
Rear Mounted, Lavatory

## 2.) Bubblers or Spout Selection:

- BC    Code Bubbler/Filler  
 BPH    Ligature-resistant Bubbler/Filler  
 FLH    Ligature-resistant Lavatory Filler

## 3.) Lavatory Valve Selection:

- NV    No Valve (Select Hole Punching if needed)  
 PSL1    Single Temp. Pneumatic Non-metering  
 PSL2    Dual Temp. Pneumatic Non-metering  
 PML1    Single Temp. Pneumatic Metering  
 PML2    Dual Temp. Pneumatic Metering  
 E1L1    Single Temp. Electronic (pick control)\*  
 E1L2    Dual Temp. Electronic (pick control)\*

### Valve Manifold Options:

*Pneumatic or Electronic Only:*

- MA2     MA3     MA4

## 4.) Lavatory Valve Actuation:

- PBH    Ligature-resistant Push Buttons  
 PZPB    Ligature-resistant Piezo Piezo Push Buttons\*

## 5.) Electronic Controls\* (Must Use Electronic Push Button):

- WUCC-3010     Pneutronic     WMSII  
(The WUCC-3010 Control can be used to pair a Sink with a Toilet)

## 6.) Push Button Hole Punching:

If Less-Lavatory Valve, please specify push button hole sizes and locations on fixture backplash:  
SP: \_\_\_\_\_

## 7.) Lavatory Waste:

- EB    Elbow Waste (1-1/2" Plain End) (Standard)  
 PT    Integral 'P'-Trap  
 LWE    Lavatory Waste Extension (Specify if more than 3")  
 SLOW    Slow Drain  
 LW1    Thru-Wall Extension, 'P'-Trap  
 LW2    Thru-Wall Extension and Clean-Out (Use w/ "PT" Option)  
 LWC1    Coupling, 1-1/2" Tube to 1-1/2" Tube  
 LWC2    Coupling, 1-1/2" Tube to 1-1/2" PVC/Cast Iron

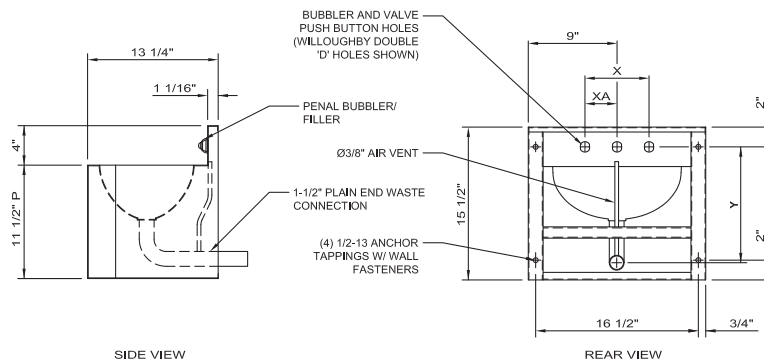
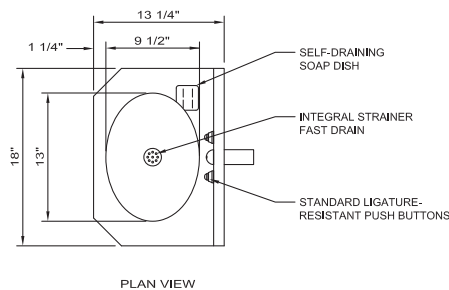
## 8.) Options:

- MT    Wall Template  
 TB1    Single Toothbrush Holder  
     Right       Left  
 TB2    Dual Toothbrush Holder  
     Right       Left  
 TH1    Single Towel Hook  
     Right       Left  
 TH2    Dual Towel Hook  
     Right       Left  
 ISH    Integral Shelf  
 VG    Ventilation Grille (Specify Location and Free Area)  
 TF24H    Hard-wired Transformer, 110VAC to 24VAC\*  
 TF24P    Plug-in Transformer, 110VAC to 24VAC\*  
 Other: \_\_\_\_\_  
 Other: \_\_\_\_\_

\*(Req. 110V power through ground fault interrupter (GFCI) receptacle)

Approved For Manufacturing By: \_\_\_\_\_ Date: \_\_\_\_\_ Company: \_\_\_\_\_  
Wall Thickness: \_\_\_\_\_ Wall Type: \_\_\_\_\_

VERIFY ALL DIMENSIONS WITH FACTORY PRIOR TO ROUGH-IN  
WILLOUGHBY RESERVES THE RIGHT TO MAKE CHANGES IN DESIGN AND DIMENSIONS WITHOUT FORMAL NOTICE AND WITHOUT INCURRING OBLIGATION.



**SPECIFY X, XA, Y, & HOLE Ø DIMENSIONS AS NEEDED FOR PUSH BUTTON HOLE PUNCHING**

visit our website at [www.willoughby-ind.com](http://www.willoughby-ind.com)  
5105 West 78th Street • Indianapolis, IN. 46268  
(317) 875-0830 • Fax: (317) 875-0837 • (800) 428-4065



MADE IN THE U.S.A.