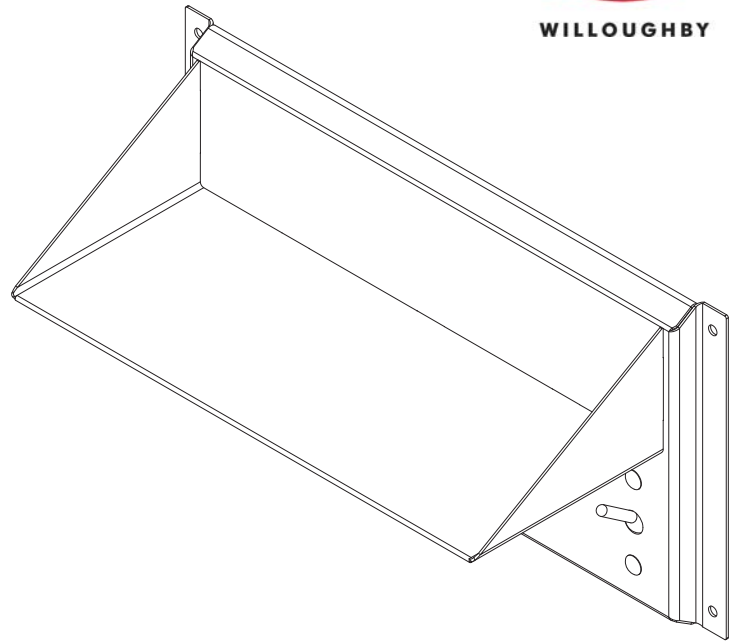


# LRTH4S-FA Ligature-Resistant Release Towel Hook w/ Integral Shelf Front Mounted

✓	MODEL NUMBER	NUMBER OF HOOKS
	LRTH4S-FA	4



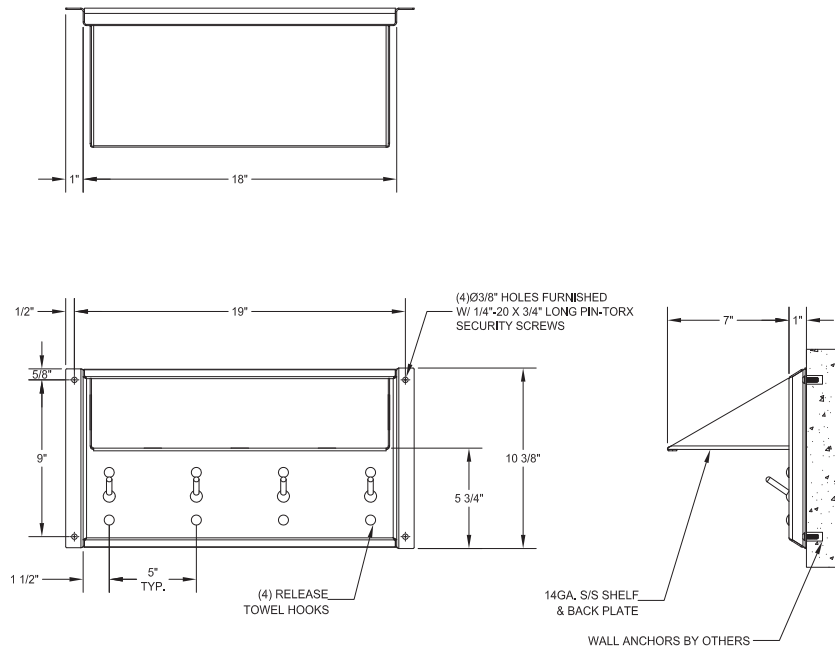
LRTH4S-FA release towel hook assembly with integral shelf shall be fabricated from Type 304 stainless steel. Exposed stainless steel surfaces shall have a glass-blast finish.

Pressure activated release towel hook(s) will support light clothing and towel loads, however, excessive hook loads will cause downward hook release.

LRTH4S-FA hook assembly supplied with vandal-resistant stainless steel security screws. Wall anchors by others.

### LIGATURE-RESISTANT DISCLAIMER

This product is designed to minimize ligature points. While every effort has been made to reduce the possibility of ligature points, this product does not eliminate all risks. Ligature-Resistant products by Willoughby Industries are to be used in conjunction with, not as a replacement for, trained professionals.



**WARNING: Cancer and Reproductive Harm**

- [www.P65Warnings.ca.gov](http://www.P65Warnings.ca.gov)

visit our website at [www.willoughby-ind.com](http://www.willoughby-ind.com)  
5105 West 78th Street • Indianapolis, IN. 46268  
(317) 875-0830 • Fax: (317) 875-0837 • (800) 428-4065



MADE IN THE U.S.A.