



BUILT TO LAST, IN AMERICA



WILLOUGHBY 1490 SERIES

Ligature-Resistant Toilet

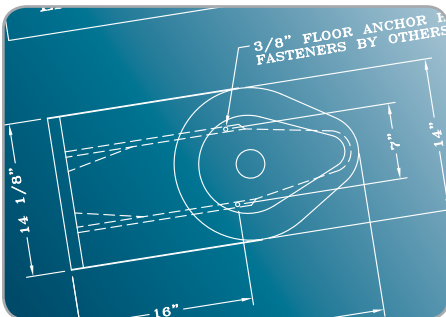
Fashioned from type 304 stainless steel for durability, this floor-mounted toilet is specifically designed to reduce ligature points and the use of the bowl as a suicide device.



◀ ASETWS-1490-FM-BS shown.
See website for full list of available options.

Purpose Built

We consulted with leading behavioral healthcare professionals to create a toilet specifically for this market—we didn't simply retrofit an existing model.



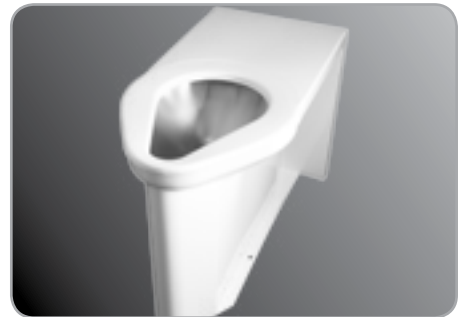
Built to Last

Crafted from heavy gauge, all-welded, type 304 stainless steel, this toilet is designed to withstand abuse and loads that vitreous china cannot.



Quality Finishing

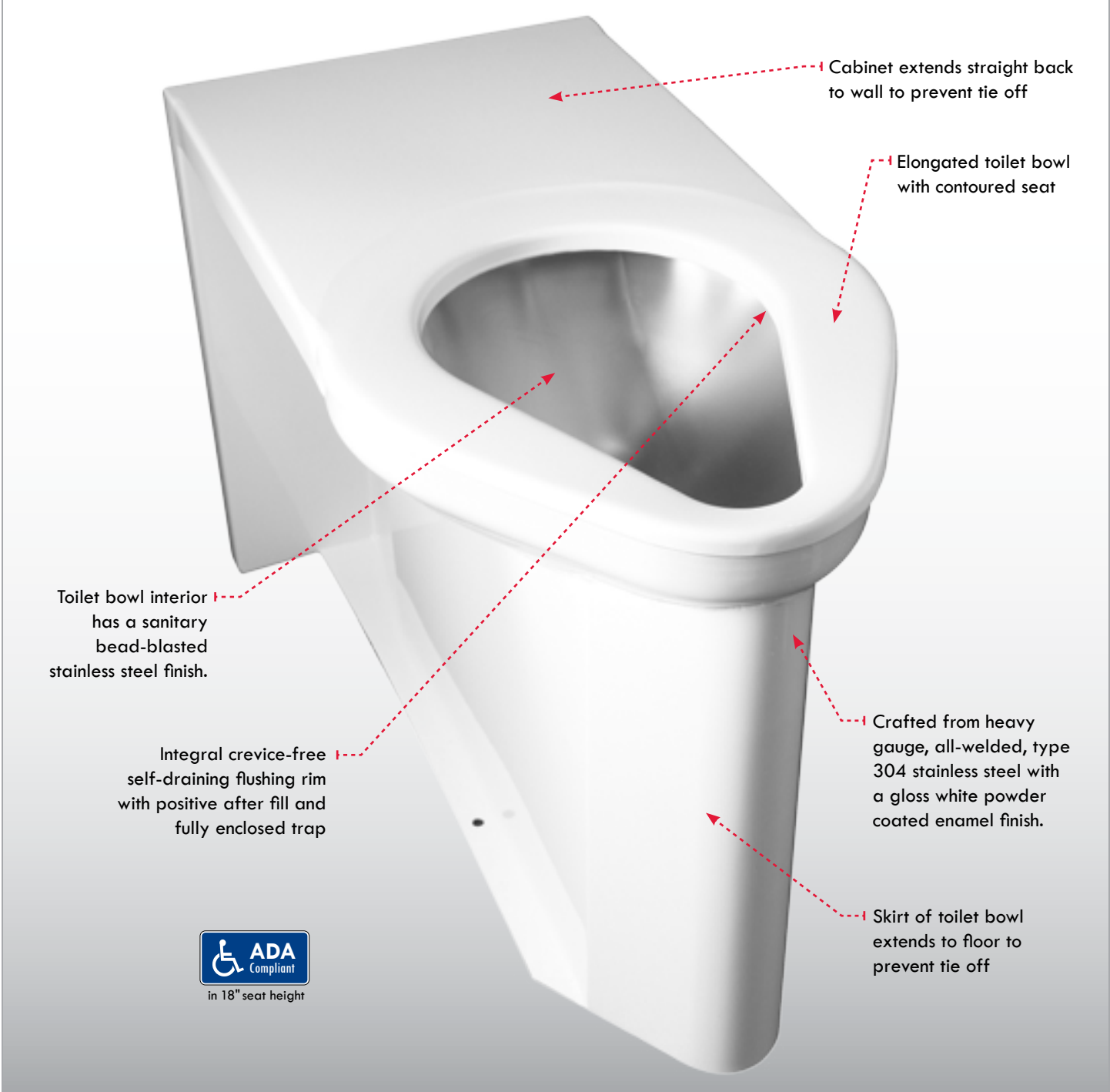
Our toilet's stainless steel is powder coated with a gloss white enamel finish and the bowl interior has a sanitary bead-blasted stainless steel finish.



WILLOUGHBY

COUNT ON US.

800.428.4065 | www.willoughby-ind.com



Cabinet extends straight back to wall to prevent tie off

Elongated toilet bowl with contoured seat

Toilet bowl interior has a sanitary bead-blasted stainless steel finish.

Integral crevice-free self-draining flushing rim with positive after fill and fully enclosed trap

Crafted from heavy gauge, all-welded, type 304 stainless steel with a gloss white powder coated enamel finish.

Skirt of toilet bowl extends to floor to prevent tie off



Technical Specification: Model ASETWS-1490-FM-BS
Standard14.125" wide x 27.75" deep x 15" tall

REVIT details available at www.willoughby-ind.com

Willoughby Industries, Inc.
5105 West 78th Street, Indianapolis, IN 46268
800.428.4065 | fax 317.875.0837
www.willoughby-ind.com

