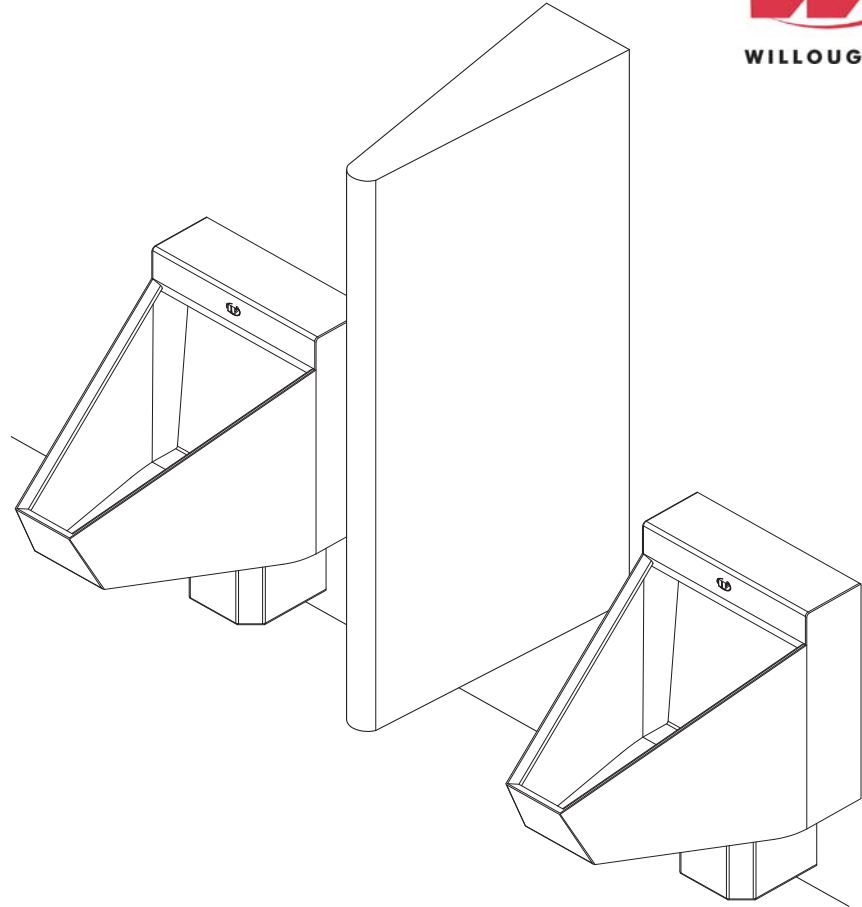


## URS-1836 Urinal Screen



*(Unit may be shown with optional features. Urinals not included)*

To specify fixture and accessories, use the Model Number and Options page.

Example: To specify a Urinal Screen

Use the following Willoughby Model Number:

URS-1836

## Recommended Specifications

Urinal Screen shall be:  
Willoughby Model No. **URS-1836**  
(Select from model number and options list on next page)

Screen is fabricated from 14 GA., Type 304 stainless steel. The construction shall be all-welded with exposed stainless surfaces polished to a #4 satin finish.

Screen interior shall be sound deadened with fire resistant material.

Anchoring shall be by standard 6 point system: threaded rods, nuts and washers furnished for walls up to 8" thick.

Screen requires chase area for installation.



**WARNING:** Cancer and Reproductive Harm

- [www.P65Warnings.ca.gov](http://www.P65Warnings.ca.gov)

visit our website at [www.willoughby-ind.com](http://www.willoughby-ind.com)  
5105 West 78th Street • Indianapolis, IN. 46268  
(317) 875-0830 • Fax: (317) 875-0837 • (800) 428-4065



MADE IN THE U.S.A.

# MODEL NUMBER AND OPTIONS:

**1.) Base Model Number:**

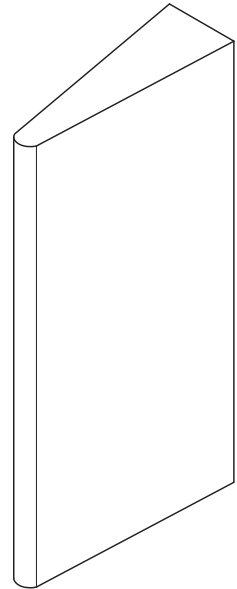
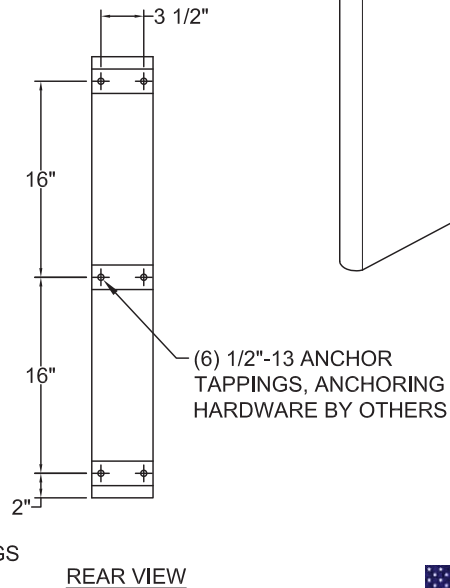
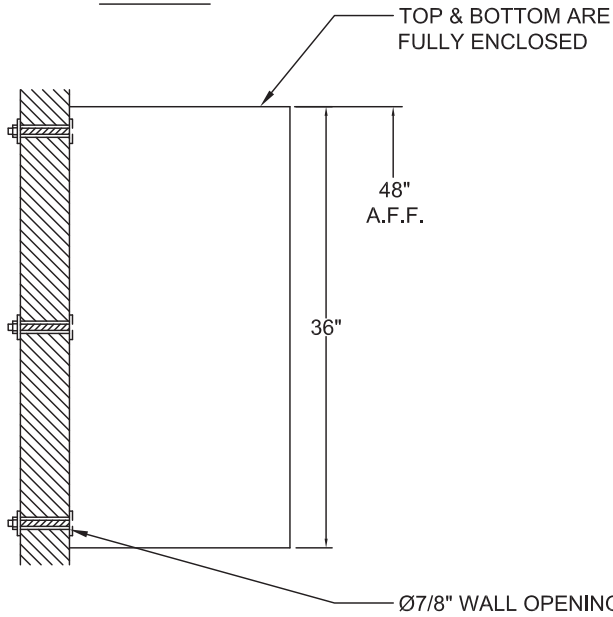
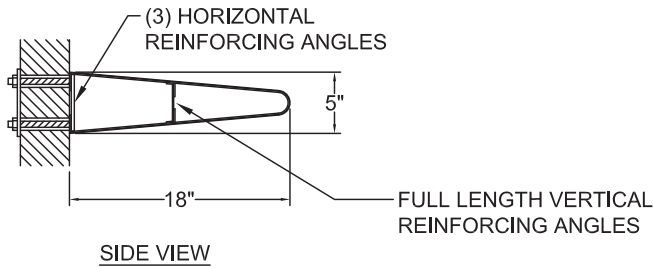
URS-1836      Urinal Screen

**2.) Options:**

- FA      Front Mounted (Does not require chase)
- Other      \_\_\_\_\_
- Other      \_\_\_\_\_

Approved For Manufacturing By: \_\_\_\_\_ Date: \_\_\_\_\_ Company: \_\_\_\_\_  
 Wall Thickness: \_\_\_\_\_ Wall Type: \_\_\_\_\_

**VERIFY ALL DIMENSIONS WITH FACTORY PRIOR TO ROUGH-IN**  
 WILLOUGHBY RESERVES THE RIGHT TO MAKE CHANGES IN DESIGN AND DIMENSIONS WITHOUT FORMAL NOTICE AND WITHOUT INCURRING OBLIGATION.



**visit our website at [www.willoughby-ind.com](http://www.willoughby-ind.com)**  
 5105 West 78th Street • Indianapolis, IN. 46268  
 (317) 875-0830 • Fax: (317) 875-0837 • (800) 428-4065



**MADE IN THE U.S.A.**