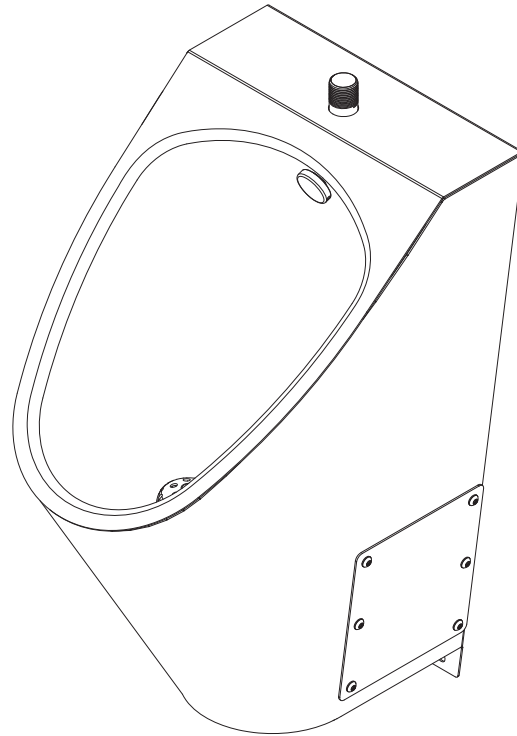


UW-1317-HEU-FA Stainless Steel Single Person Front Mounted ADA-Compliant Contoured Washout Flush High Efficiency Urinal



(Unit may be shown with optional features)

To specify fixture and accessories, use the Model Number and Options page.

Example: To specify a Stainless Steel, Single Person, Front Mounted, ADA-Compliant, Contoured, Washout Flush, High Efficiency Urinal with top spud, 1/8 GPF, wall template, hydraulic flush valve, and ligature-resistant flush valve cover

Use the following Willoughby Model Number:
UW-1317-HEU-FA-TS-0.125-MT-FV-ASFVC

Recommended Specifications

Stainless Steel, Single Person, Front Mounted, ADA-Compliant, Contoured, Washout Flush, High Efficiency Urinal shall be: Willoughby Model No. **UW-1317-HEU-FA**
(Select from model number and options list on next page)

Fixture is fabricated from all 16 GA., Type 304 stainless steel. The construction shall be all-welded with exposed stainless steel surfaces polished to a satin finish. Contoured interior and exterior surfaces for ease of cleaning.

Standard equipment shall include:

- Machined stainless steel flush nozzle
- Beehive strainer
- Removable P-trap with 1-1/2" F.I.P. waste connection
- 3/4" N.P.T. male inlet connection
- Removable access cover

High Efficiency Urinal shall be washout type requiring 1/8 to 1/2 GPF flush valve and 25 PSI minimum flushing pressure. Trap shall be fully enclosed and maintain a 3" seal.

Mounting hardware by others.

Unit requires no chase area for installation and maintenance unless specified with any options requiring an accessible chase.

Urinals mounted at 17" rim height to comply with ANSI, ADA and UFAS accessibility requirements. Please consult local code as compliance is subject to the interpretation and requirements of the local code authority.

Note: Fixture should only be used with a listed high-efficiency flushometer to ensure the complete system meets the requirements of WaterSense.



WARNING: Cancer and Reproductive Harm

- www.P65Warnings.ca.gov

visit our website at www.willoughby-ind.com
5105 West 78th Street • Indianapolis, IN. 46268
(317) 875-0830 • Fax: (317) 875-0837 • (800) 428-4065



MADE IN THE U.S.A.

MODEL NUMBER AND OPTIONS:

1.) Base Model Number:

- UW-1317-HEU-FA Stainless Steel, Single Person, Front Mounted,
ADA-Compliant, Contoured, Washout Flush,
High Efficiency Urinal

5.) Electronic Controls* (Must Use Electronic Flush Valve):

- WUFC-4000 Pneumatic WMSII

*(Req. 110V power through ground fault interrupter (GFCI) receptacle / breaker)

2.) Inlet Location:

- BS Back Spud
 TS Top Spud

****LIGATURE-RESISTANT DISCLAIMER**

This product is designed to minimize ligature points. While every effort has been made to reduce the possibility of ligature points, this product does not eliminate all risks. Ligature-Resistant products by Willoughby Industries are to be used in conjunction with, not as a replacement for, trained professionals.

3.) Flush Valve:

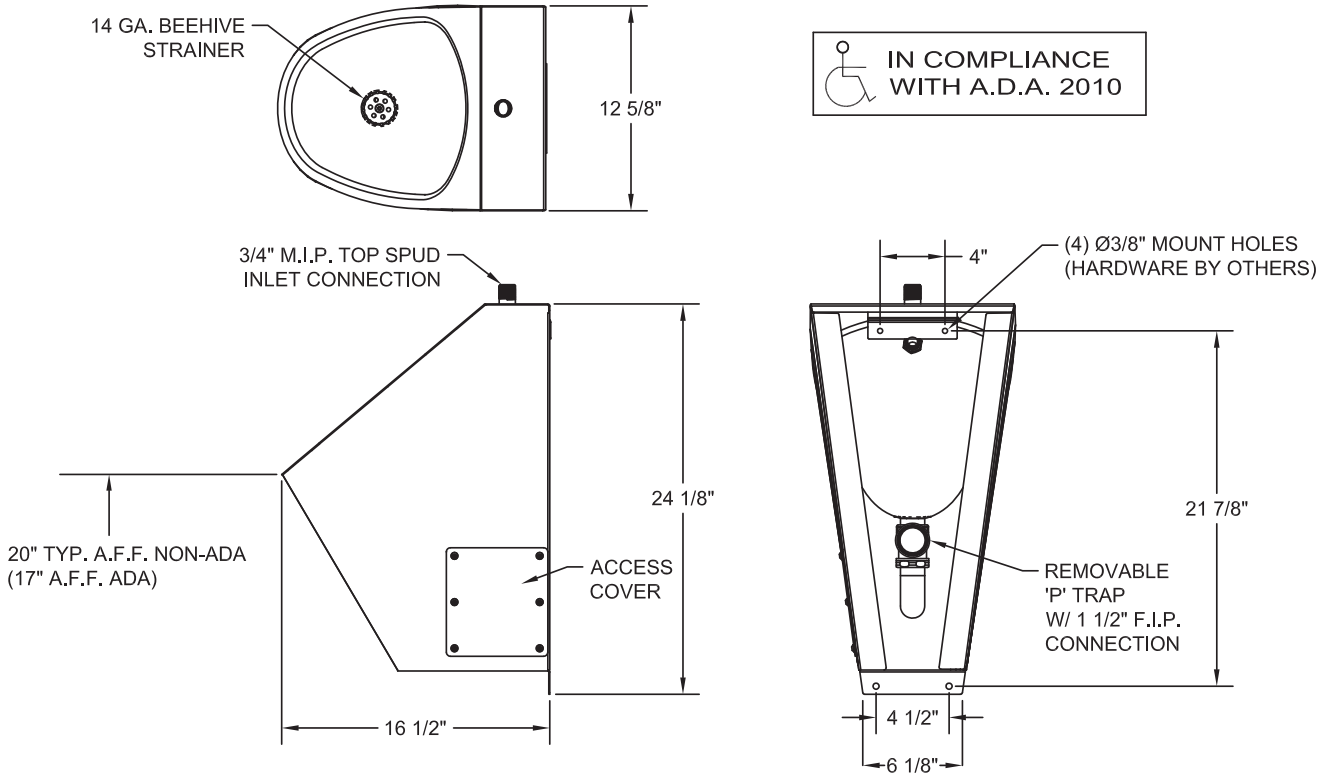
- FV Hydraulic Flush Valve (Includes Actuator)
 0.5 GPF High Efficiency (HEU) (1.9 Lpf)
 0.125 GPF High Efficiency (HEU) (0.4 Lpf)
 EFVP Electronic Flush Valve w/ (PZPB) Ligature-resistant Piezo Push
 Button (Pick Control)*/**
 0.5 GPF High Efficiency (HEU) (1.9 Lpf)
 0.125 GPF High Efficiency (HEU) (0.4 Lpf)
 NFV No Flush Valve (Provided by Others)

4.) Options:

- MT Wall Template
 ASUFVC Ligature-resistant Urinal Flush Valve Cover
 (Top Spud Only)**
 APFM Flush Valve Access Panel Front Mounted (Allows access to chase
 mounted flush valve from fixture side)
 TF24H Hard-wired Transformer, 110VAC to 24VAC*
 TF24P Plug-in Transformer, 110VAC to 24VAC*
 DC Decorator Color (Fixture exterior only - White)
 Other _____
 Other _____

Approved For Manufacturing By: _____ Date: _____ Company: _____
 Wall Thickness: _____ Wall Type: _____

VERIFY ALL DIMENSIONS WITH FACTORY PRIOR TO ROUGH-IN
 WILLOUGHBY RESERVES THE RIGHT TO MAKE CHANGES IN DESIGN AND
 DIMENSIONS WITHOUT FORMAL NOTICE AND WITHOUT INCURRING OBLIGATION.



visit our website at www.willoughby-ind.com
 5105 West 78th Street • Indianapolis, IN. 46268
 (317) 875-0830 • Fax: (317) 875-0837 • (800) 428-4065



MADE IN THE U.S.A.