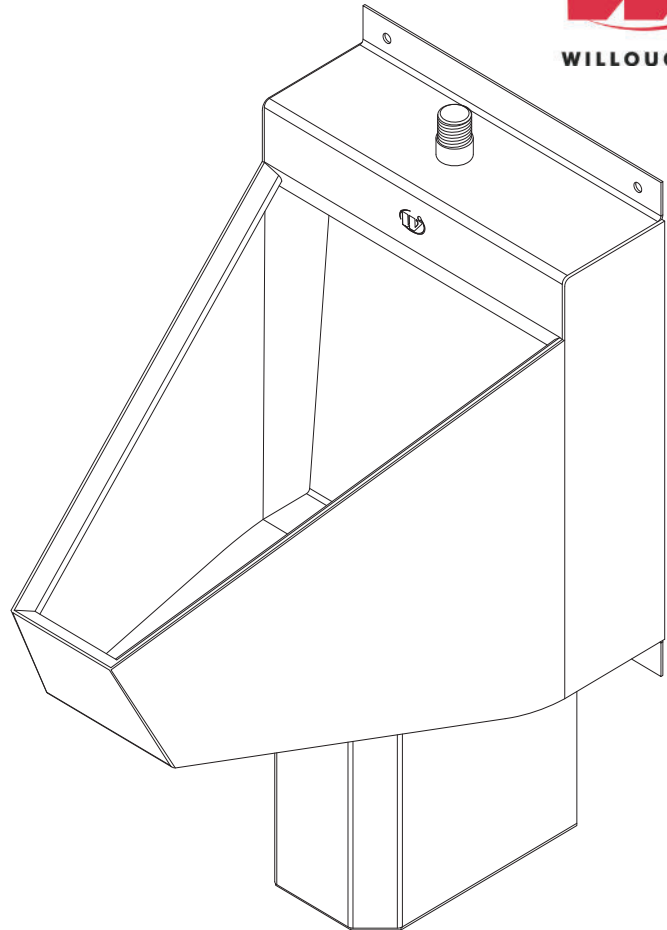


UW-1412-WO-FA Stainless Steel Single Person Front Mounted Washout Flush Straddle Urinal



(Unit may be shown with optional features)

To specify fixture and accessories, use the Model Number and Options page.

Example: To specify a Stainless Steel, Single Person, Front Mounted, Washout Flush Straddle Urinal with top spud, 1.0 GPF, wall template, and hydraulic flush valve

Use the following Willoughby Model Number:
UW-1412-WO-FA-TS-1.0-MT-FV

Recommended Specifications

Stainless Steel, Single Person, Front Mounted, Washout Flush Straddle Urinal shall be: Willoughby Model No. **UW-1412-WO-FA** (Select from model number and options list on next page)

Fixture is fabricated from 14 GA., Type 304 stainless steel. The construction shall be all-welded with exposed stainless surfaces polished to a #4 satin finish.

Standard equipment shall include:

- Full perimeter 360° flushing rim
- Beehive strainer
- 1-1/2" F.I.P. slip-joint P-trap
- Removable P-trap access

Urinal shall be washout type which requires 25 PSI minimum flushing pressure. Trap shall be fully enclosed and maintain a 3" seal.

Anchoring shall be from the front with anchoring hardware by others.

Unit requires no chase area for installation and maintenance unless specified with any options requiring an accessible chase.



WARNING: Cancer and Reproductive Harm

- www.P65Warnings.ca.gov

visit our website at www.willoughby-ind.com
5105 West 78th Street • Indianapolis, IN. 46268
(317) 875-0830 • Fax: (317) 875-0837 • (800) 428-4065



MADE IN THE U.S.A.

MODEL NUMBER AND OPTIONS:

1.) Base Model Number:

- UW-1412-WO-FA Stainless Steel, Single Person, Front Mounted,
Washout Flush Straddle Urinal

5.) Electronic Controls* (Must Use Electronic Flush Valve):

- WUFC-4000 Pneumatic WMSII

*(Req. 110V power through ground fault interrupter (GFCI) receptacle / breaker)

2.) Inlet Location:

- BS Back Spud
 TS Top Spud

****LIGATURE-RESISTANT DISCLAIMER**

This product is designed to minimize ligature points. While every effort has been made to reduce the possibility of ligature points, this product does not eliminate all risks. Ligature-Resistant products by Willoughby Industries are to be used in conjunction with, not as a replacement for, trained professionals.

3.) Flush Valve:

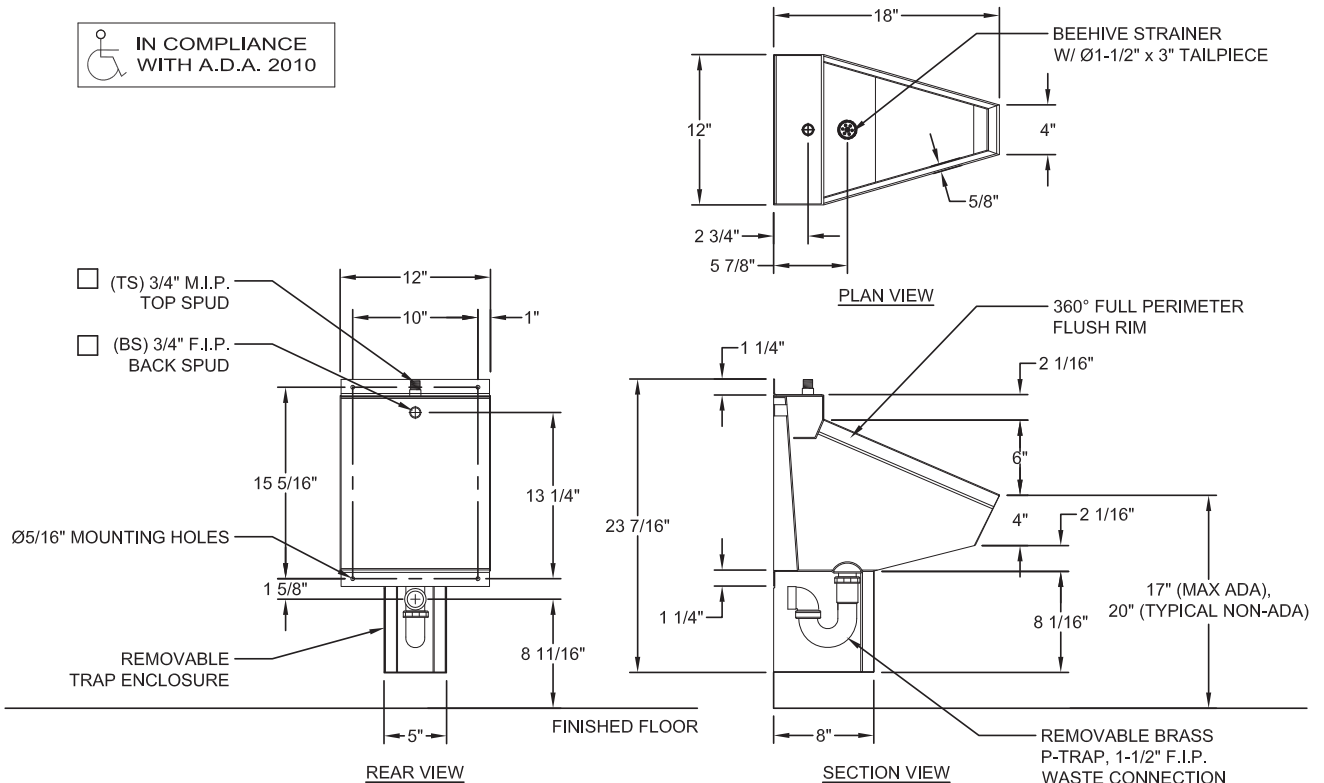
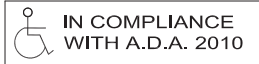
- FV Hydraulic Flush Valve (Includes Actuator)
 1.0 GPF Low Flow (3.8 Lpf)
 0.5 GPF High Efficiency (HEU) (1.9 Lpf)
 EFVP Electronic Flush Valve w/ (PZPB) Ligature-resistant Piezo Push Button (Pick Control)**
 1.0 GPF Low Flow (3.8 Lpf)
 0.5 GPF High Efficiency (HEU) (1.9 Lpf)
 NFV No Flush Valve (Provided by Others)
 Special Hole Punching Dimension for ASUFVC / APFM:

4.) Options:

- MT Wall Template
 ASUFVC Ligature-resistant Urinal Flush Valve Cover (Top Spud Only)**
 FVT Flush Valve Connection (Back Spud Only)
 APFM Flush Valve Access Panel Front Mounted (Allows access to chase mounted flush valve from fixture side)
 TF24H Hard-wired Transformer, 110VAC to 24VAC*
 TF24P Plug-in Transformer, 110VAC to 24VAC*
 Other _____
 Other _____

Approved For Manufacturing By: _____ Date: _____ Company: _____
 Wall Thickness: _____ Wall Type: _____

VERIFY ALL DIMENSIONS WITH FACTORY PRIOR TO ROUGH-IN
 WILLOUGHBY RESERVES THE RIGHT TO MAKE CHANGES IN DESIGN AND DIMENSIONS WITHOUT FORMAL NOTICE AND WITHOUT INCURRING OBLIGATION.



visit our website at www.willoughby-ind.com
 5105 West 78th Street • Indianapolis, IN. 46268
 (317) 875-0830 • Fax: (317) 875-0837 • (800) 428-4065



MADE IN THE U.S.A.