

VALVE MANIFOLDING

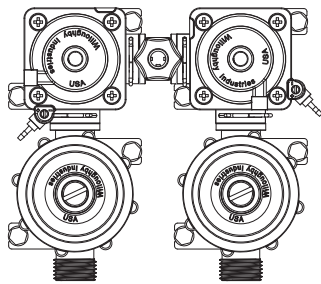
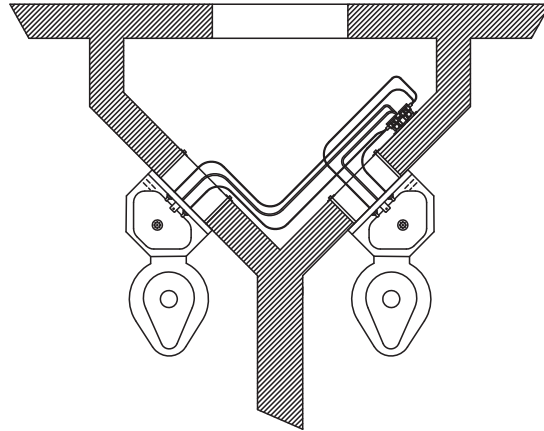
Valve Manifolding

"MANIFOLDING" Willoughby's suffix "MA" allows for the operation of up to four fixtures from a common pair of Hot/Cold supply lines.

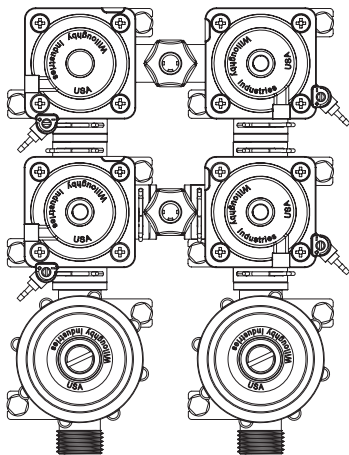
Primary Advantages

- Reduces installation costs, labor & materials
- Easy access for maintenance
- Adds flexibility to your design

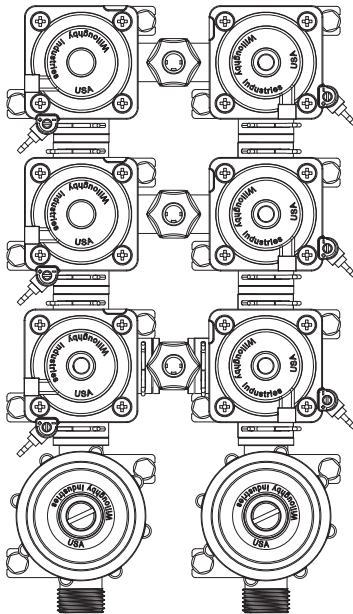
To specify, add suffix "MA" to valve model number followed by 2, 3, or 4 to indicate number of fixtures to be manifolded.



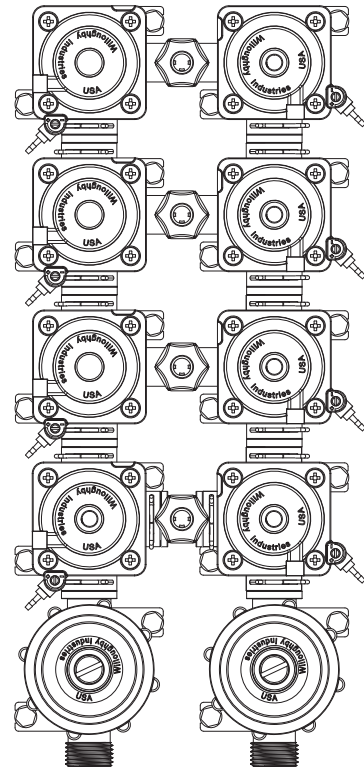
SINGLE UNIT
(1 FIXTURE)



DUAL MANIFOLD
-MA2 (2 FIXTURES)



TRI MANIFOLD
-MA3 (3 FIXTURES)



QUAD MANIFOLD
-MA4 (4 FIXTURES)

visit our website at www.willoughby-ind.com

5105 West 78th Street • Indianapolis, IN. 46268

(317) 875-0830 • Fax: (317) 875-0837 • (800) 428-4065



MADE IN THE U.S.A.