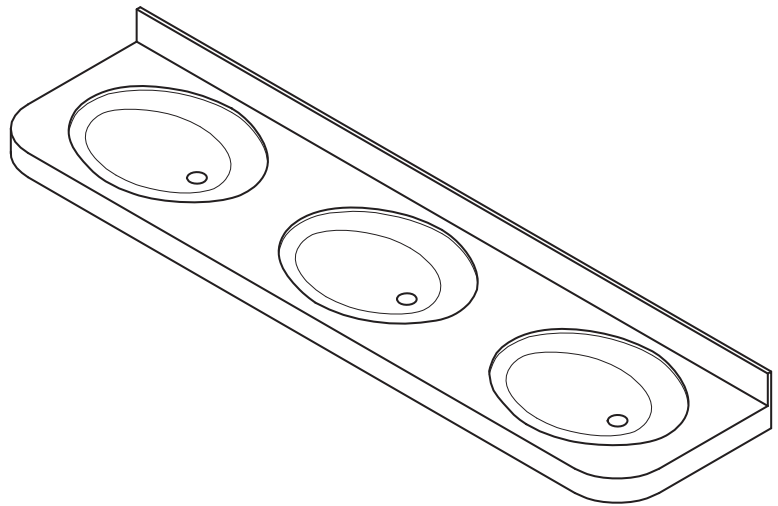




AquaDeck 2250 Series Radiused Front Solid Surface Lavatory Deck



(Unit may be shown with optional features)

To specify fixture and accessories, use the Model Number and Options Guide.

Example: To specify an AquaDeck 2250 Series, Radiused Front, Solid Surface Lavatory Deck with no faucet holes (standard), Red Coral color, standard square-eased front edges, and right and left side splashes

Use the following Willoughby Model Number:
WAD-2250-3-NV-RC-WADSS-0412R-WADSS-0412L

Recommended Specifications

AquaDeck 2250 Series, Radiused Front, Solid Surface Lavatory Deck shall be:

Willoughby Model No. **WAD-2250**

(Select from model number and options list on next page)

The lavatory deck shall be constructed of Aquasurf® molded cast polymer densified solid surface material composed of polyester/acrylic resin, UV stabilizer, aluminum trihydrate, mineral fillers and antimicrobial additive*. The Aquasurf® solid surface material is resistant to stains, impact and burns. Surface damage can be easily repaired with everyday cleansers and/or fine grit abrasives.

AquaDeck lavatory deck shall be a modular cast component with standard integral features:

- 6" Radius front corners with matched front and side aprons
- Oval bowl with soap/faucet ledge
- 4" coved backsplash
- All square-eased front edges
- Basin overflow
- Drain hole for 1-1/4" pop-up drain

Mounting:

Unit is designed to be supported by in-wall carriers (supplied by others). Optional stainless steel wall mounting brackets are available; specify left or right brackets when ordering.

ADA, TAS and ANSI Compliant:

When the lavatory deck is mounted at the standard 34" adult rim height, it complies with applicable ADA, TAS, and ANSI Z124.3 and Z124.6 accessibility guidelines.

Optional Features:

AquaDeck lavatory decks offer liquid soap dispensers as optional accessories. AquaDeck lavatory decks can be ordered with Bullnosed or Beveled front edge styles instead of standard square-eased edges and/or 31" rim heights for juvenile use (JR).

***Antimicrobial properties are built-in to inhibit the growth of bacteria that may affect this product. The antimicrobial properties do not protect users or others against bacteria, viruses, germs, or other disease organisms. Always use good hygienic cleaning practices.**



WARNING: Cancer and Reproductive Harm

- www.P65Warnings.ca.gov

visit our website at www.willoughby-ind.com
5105 West 78th Street • Indianapolis, IN. 46268
(317) 875-0830 • Fax: (317) 875-0837 • (800) 428-4065



MADE IN THE U.S.A.

MODEL NUMBER AND OPTIONS:

1.) Lavatory Model:

- WAD-2250 AquaDeck 2250 Series, Radiused Front, Solid Surface Lavatory Deck

2.) Number of Wash Stations:

- 1 2 3 4

3.) Hole Drilling Selection (Faucet by Others):

- NV No Faucet Holes (Standard)
 4CC 4" Centerset, Ø1-1/4" Holes (Specify 2 or 3 holes: ___)
 8CC 8" Centerset, Ø1-1/4" Holes (Specify 2 or 3 holes: ___)
 1CC Center Shank, (1) Ø1-1/4" Hole
 SP Special Drilling (Specify hole drilling dim.)
 SP: _____

4.) Solid Surface Colors:

- BN Bone
 GW Glacier White
 GG Grey Granite
 SS Sandstone
 WG White Granite
 BG Black Granite
 NB Nocturnal Blue
 RC Red Coral
 SG Sea Green

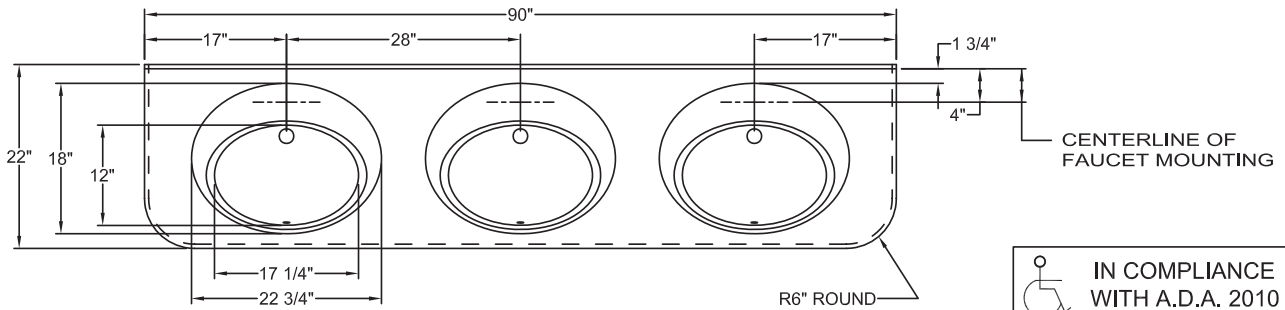
5.) Edge Style:

- Square-eased Front Edge (Standard)
 BLN Bullnosed
 BV Beveled

6.) Options:

- LSDM Liquid Soap Dispensers- Deck-mounted Spout and Bottle
 JR Junior Height, 31" Rim Height (JR. ADA Compliant)
 WADSS-BRKT-R Wall Mounting Bracket- Right
 WADSS-BRKT-L Wall Mounting Bracket- Left
 WADSS-0416R Right Side Splash
 WADSS-0416L Left Side Splash
 WAD-APIS-416R Integral Right Side Apron
 WAD-APIS-416L Integral Left Side Apron
 W-SS-DS Stainless Steel Modular Drain Shroud
 Other _____
 Other _____

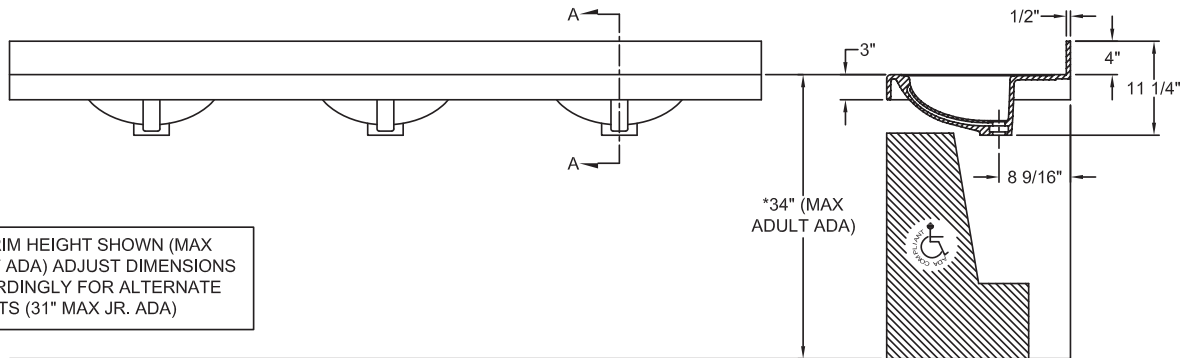
Approved For Manufacturing By: _____ Date: _____ Company: _____
 Wall Thickness: _____ Wall Type: _____



PLAN VIEW



VERIFY ALL DIMENSIONS WITH FACTORY PRIOR TO ROUGH-IN
 WILLOUGHBY RESERVES THE RIGHT TO MAKE CHANGES IN DESIGN AND DIMENSIONS WITHOUT FORMAL NOTICE AND WITHOUT INCURRING OBLIGATION.



FRONT VIEW

FINISHED FLOOR

SECTION VIEW A-A

*NOTE: 34" RIM HEIGHT SHOWN (MAX ADULT ADA) ADJUST DIMENSIONS ACCORDINGLY FOR ALTERNATE HEIGHTS (31" MAX JR. ADA)

visit our website at www.willoughby-ind.com
 5105 West 78th Street • Indianapolis, IN. 46268
 (317) 875-0830 • Fax: (317) 875-0837 • (800) 428-4065



MADE IN THE U.S.A.