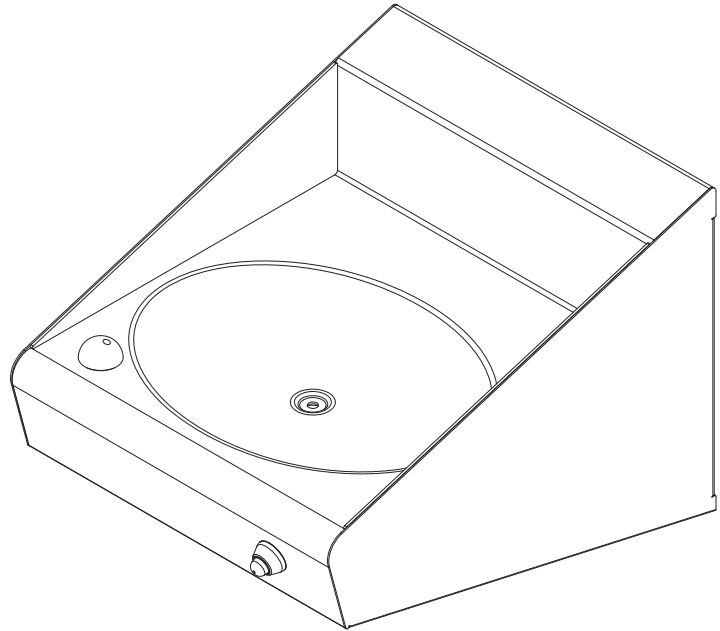




WBDF-1519-HC Stainless Steel Ligature-resistant Rear Mounted Behavioral Drinking Fountain



IN COMPLIANCE
WITH A.D.A. 2010
& C.B.C. 2019, 11B

(Unit may be shown with optional features)

To specify fixture and accessories, use the Model Number and Options page.

Example: To specify a Ligature-resistant Rear Mounted Stainless Steel Behavioral Drinking Fountain with ligature-resistant bubbler, single temp. non-metering pneumatic valve, ligature-resistant pneumatic push button, and elbow waste

Use the following Willoughby Model Number:

WBDF-1519-HC-DMBH-PSL1-PBH-EB

Recommended Specifications

Stainless Steel, Ligature-resistant, Rear Mounted, Behavioral Drinking Fountain shall be:

Willoughby Model No. **WBDF-1519-HC**

(Select from model number and options list on next page)

Wall-hung angular profile fixture shall accommodate one user and is designed to minimize ligature points. Fixture shall be fabricated from 14GA./16GA. Type 304 stainless steel. The construction shall be all welded, with exposed stainless surfaces polished to a #4 satin finish.

Standard drinking fountain shall include:

- Oval-shaped basin, 13" x 9-1/2" x 1-1/2" deep
- Stainless steel ligature-resistant bubbler
- Slow drain with air vent
- Elbow waste (1-1/2" Plain End)
- Angular profile with sloped top

Vandal Resistance/Safety Features:

The bubbler, push buttons, and slow drain are non-removable from the user-side and are designed to minimize ligature points. Supply and waste connections are concealed within the lavatory cabinet, with valves and water supplies remotely located in the mechanical chase. The drinking fountain is rear-access and does not have any exposed fasteners.

ADA, ANSI, and CBC Compliant:

When the drinking fountain is mounted at the standard adult rim height for fountains, it is designed to comply with all applicable ADA, ANSI (Z124.3 and Z124.6), and CBC (2019, Ch. 11B) accessibility guidelines.

Mounting:

Anchoring shall be by standard 4-point system: threaded rods, nuts and washers shall be furnished for walls up to 8" thick. Unit shall require chase area for installation and maintenance; proper backing for lavatory mounting provided by others.

LIGATURE-RESISTANT DISCLAIMER

This product is designed to minimize ligature points. While every effort has been made to reduce the possibility of ligature points, this product does not eliminate all risks. Ligature-Resistant products by Willoughby Industries are to be used in conjunction with, not as a replacement for, trained professionals.



WARNING: Cancer and Reproductive Harm

- www.P65Warnings.ca.gov



MADE IN THE U.S.A.

visit our website at www.willoughby-ind.com
5105 West 78th Street • Indianapolis, IN. 46268
(317) 875-0830 • Fax: (317) 875-0837 • (800) 428-4065

MODEL NUMBER AND OPTIONS:

1.) Base Model Number:

- WBDF-1519-HC Stainless Steel, Ligature-resistant, Rear Mounted, Behavioral Drinking Fountain

6.) Other Options:

- MT Wall Template
 WS Wall Sleeve (Requires Accessible Chase)
 DC Decorator Color (White)
 Other: _____
 Other: _____

2.) Bubbler Selection:

- DMBH Ligature-resistant Deck Mounted Bubbler (Standard)

3.) Valve Selection:

- PSL1 Single Temp. Pneumatic Non-metering (Standard)

4.) Push Button Selection:

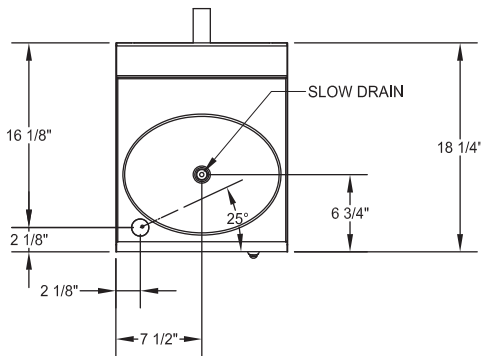
- PBH Ligature-resistant Pneumatic Push Button (Standard)

5.) Drinking Fountain Waste:

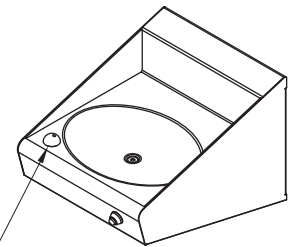
- EB Elbow Waste (Standard)
 SLOW Slow Drain (Standard)
 LWC1 Coupling, 1-1/2" Tube to 1-1/2" Tube
 LWC2 Coupling, 1-1/2" Tube to 1-1/2" PVC/Cast Iron

Approved For Manufacturing By: _____ Date: _____ Company: _____
 Wall Thickness: _____ Wall Type: _____

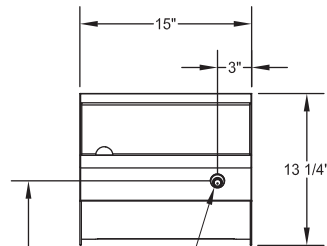
VERIFY ALL DIMENSIONS WITH FACTORY PRIOR TO ROUGH-IN
 WILLOUGHBY RESERVES THE RIGHT TO MAKE CHANGES IN DESIGN AND DIMENSIONS WITHOUT FORMAL NOTICE AND WITHOUT INCURRING OBLIGATION.



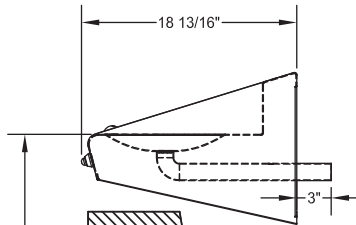
IN COMPLIANCE WITH
 A.D.A. 2010
 C.B.C. 2019, 11B



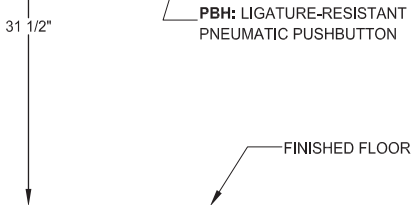
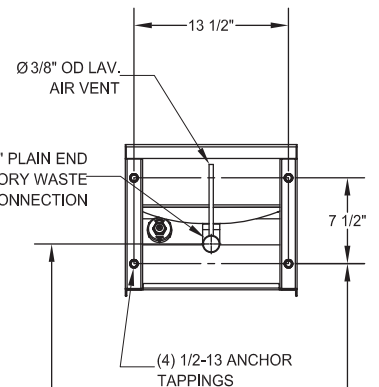
DMBH: DECK MOUNTED LIGATURE-RESISTANT BUBBLER



PBH: LIGATURE-RESISTANT PNEUMATIC PUSHBUTTON



EB: 1-1/2" PLAIN END LAVATORY WASTE CONNECTION



30 7/16"

28 3/4"

visit our website at www.willoughby-ind.com
 5105 West 78th Street • Indianapolis, IN. 46268
 (317) 875-0830 • Fax: (317) 875-0837 • (800) 428-4065



MADE IN THE U.S.A.