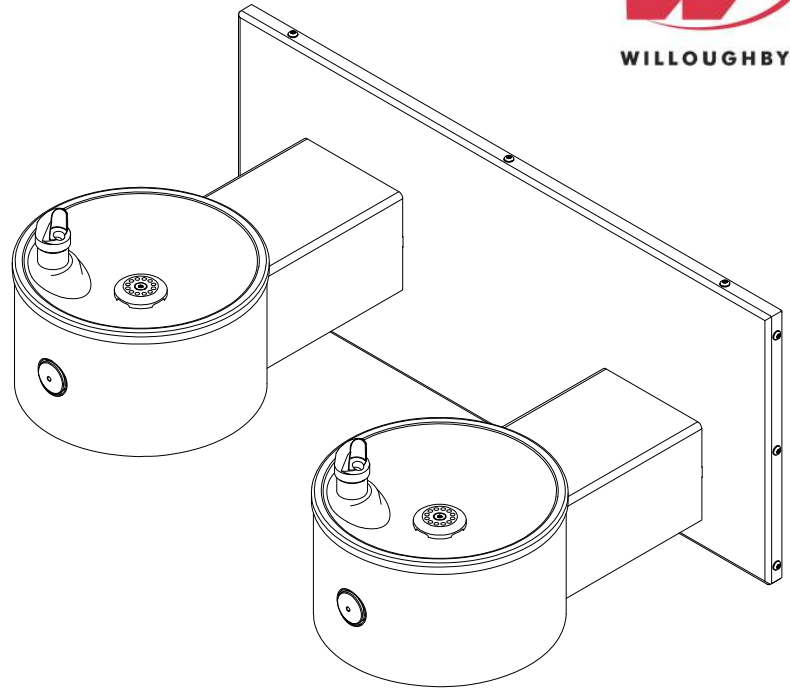


## WODF-2WM Series Wall Mounted Two Station Outdoor Drinking Fountain



### Recommended Specifications

Willoughby Model **WODF-2WM** wall mounted two station outdoor drinking fountain is a dual-level, vandal resistant drinking fountain with Type 304 stainless steel 10" Schedule-10 fountain bodies.

Fountains shall have high-polished, 18 GA. stainless steel bowls with anti-rotation, anti-squirt, solid stainless steel bubblers. Bubblers shall be activated by pedestal mounted solid stainless steel push button assemblies, which control lead-free, self-closing valves.

Push button shall require less than 5 lbs. of force to operate. Push button shall be adjustable to ensure adequate flow without being wasteful. **WODF-2WM** fountain shall be lead-free, adhering to ANSI/NSF 61, Section 9, ANSIA117.1.

When the fixture is correctly mounted, the respective drinking fountain bowls shall meet American Disabilities Act of 2010 (ADA) compliance requirements (34" max A.F.F. for Adult ADA, 31" max A.F.F. for JR. ADA).

### Standard Features

- \* Adult ADA and Child (JR.) ADA compliant
- \* 5/32" wall thickness stainless steel wall columns
- \* Heavy duty Type 304 stainless steel 10" Schedule-10 main columns
- \* Optional marine-grade Type 316 stainless steel body for installations near salt water
- \* High polished stainless steel bowls
- \* Solid stainless steel, anti-rotation bubblers
- \* Serviceable mesh strainer on inlet water supply
- \* Heavy-duty wall mounting frame
- \* Resistant to sunlight, heat, and vandalism
- \* Stainless steel adjustable push buttons

To specify fixture and color, use the Model Number and Options Guide.  
Example: To specify a WODF-2WM wall mounted two station outdoor drinking fountain in Beige color  
Use the following Willoughby Model Number:  
**WODF-2WM-BE**

visit our website at [www.willoughby-ind.com](http://www.willoughby-ind.com)  
5105 West 78th Street • Indianapolis, IN. 46268  
(317) 875-0830 • Fax: (317) 875-0837 • (800) 428-4065



MADE IN THE U.S.A.

# MODEL NUMBER AND OPTIONS:

## 1.) Outdoor Drinking Fountain Type:

- WODF-2WM Wall Mounted Two Station Outdoor Drinking Fountain

## 2.) Options:

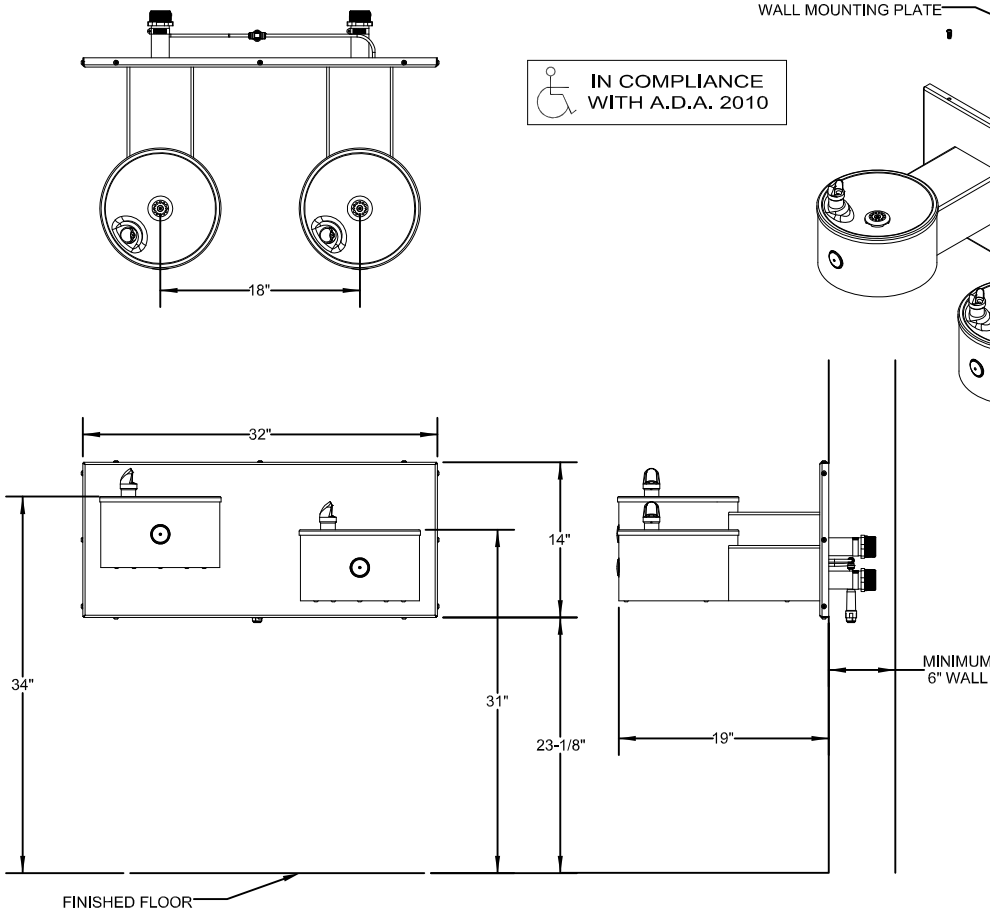
- 316-1 316 Stainless Steel Body, Single
- SCV Seasonal Bowl Covers (2)

## 3.) Colors (select one):

- SL Silver (Silvadillo)
- G Green
- R Red
- BL Blue
- O Orange
- V Violet
- Y Yellow
- BR Brown
- BK Black
- BE Beige
- W White

Approved For Manufacturing By: \_\_\_\_\_ Date: \_\_\_\_\_ Company: \_\_\_\_\_  
 Wall Thickness: \_\_\_\_\_ Wall Type: \_\_\_\_\_

**VERIFY ALL DIMENSIONS WITH FACTORY PRIOR TO ROUGH-IN**  
 WILLOUGHBY RESERVES THE RIGHT TO MAKE CHANGES IN DESIGN AND DIMENSIONS WITHOUT FORMAL NOTICE AND WITHOUT INCURRING OBLIGATION.



visit our website at [www.willoughby-ind.com](http://www.willoughby-ind.com)  
 5105 West 78th Street • Indianapolis, IN. 46268  
 (317) 875-0830 • Fax: (317) 875-0837 • (800) 428-4065



MADE IN THE U.S.A.