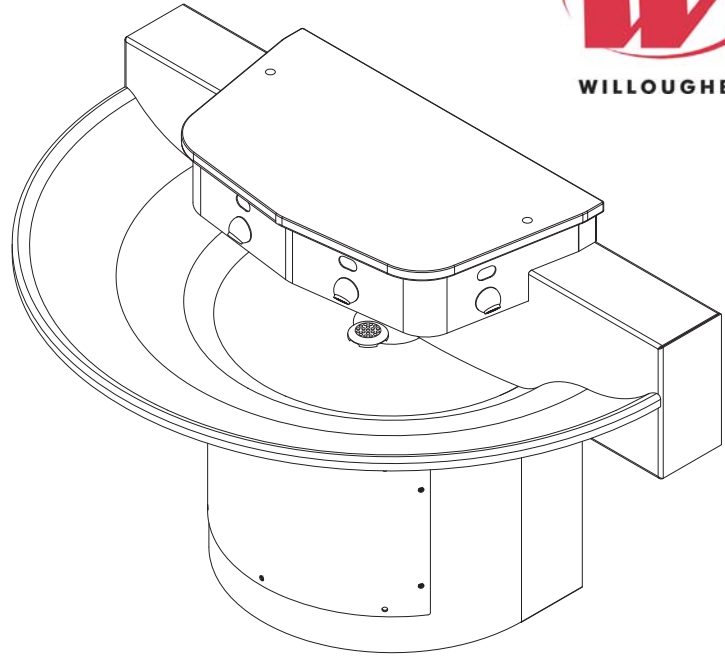




WWF-4203/4204 Three and Four Station Half Round 42" Stainless Steel Deep Bowl Washfountain



(Unit may be shown with optional features)

To specify fixture and accessories, use the Model Number and Options page.
Example: To specify a 4 Station Half Round, 42" Stainless Steel, Deep Bowl Washfountain with standard wall mounting (34" rim height) and battery operated infrared sensors
Use the following Willoughby Model Number: **WWF-4204-WALL-BO**

Recommended Specifications

Half Round, 42" Stainless Steel, Deep Bowl Washfountain shall be: Willoughby Model No. **WWF-420** _____
(select from model number and options list on next page)

Washfountain shall accommodate from 1 to 3 users simultaneously for the 3 station or 1 to 4 users simultaneously for the 4 station. Washfountain bowl is constructed of **12 GA. stainless steel**. Pedestal and water distribution head shall be constructed of heavy gauge, Type 304 stainless steel. Head cover is constructed of Aquasurf® solid surface material (Grey Granite color). Exposed stainless steel surfaces shall be polished to a #3 satin finish.

The push buttons and water spray nozzles shall be machined Type 303 stainless steel. Drain grate shall be constructed of heavy gauge stainless steel. The sprayhead module shall be equipped with independent spray nozzles; each controlled by a separate push button or infrared sensor. Flow restrictor shall maintain flow rates at 0.5 GPM per station.

All washfountains shall be supplied with thermostatic mixing valves, checkstops and strainers, drain spud, flexible supply hoses, control valves, color coded water lines and Class II, 120/24 VAC plug-in transformer (as needed)*. Operating supply water pressure range is 35-70 PSI.

Vandal resistance:

All spray nozzles, push buttons, infrared sensors, and escutcheons are secured to the unit from within the sprayhead. Valves, water supplies and waste connections are concealed within the pedestal. Removable access panels are secured with vandal resistant security Torx screws. Unit is shipped pre-assembled.

ADA, TAS, and ANSI Compliant:

When the washfountain is mounted at the standard 34" adult rim height, it is designed to comply with applicable ADA, TAS, and ANSI Z124.3 and Z124.6 accessibility guidelines.

This excludes Floor Mounted Foot Operated (FO) models.

Optional Features:

Willoughby washfountains offer liquid soap dispensers and a stainless steel head cover as optional accessories. Willoughby washfountains can be ordered with 31" rim heights for juvenile use (JR) (Junior ADA Compliant). A wall mounted stainless steel kick plate (KPWF) is available for wall-mounted pedestals w/ floor-based plumbing rough-ins.

* *Note:* Plug-in transformer must be used with a ground fault interrupter (GFCI) receptacle to prevent possible electrical shock.



WARNING: Cancer and Reproductive Harm

- www.P65Warnings.ca.gov



MADE IN THE U.S.A.

visit our website at www.willoughby-ind.com
5105 West 78th Street • Indianapolis, IN. 46268
(317) 875-0830 • Fax: (317) 875-0837 • (800) 428-4065

MODEL NUMBER AND OPTIONS:

1.) Base Model Number:

- WWF-4203 3 Station Half Round 42" Stainless Steel, Deep Bowl Washfountain
- WWF-4204 4 Station Half Round 42" Stainless Steel, Deep Bowl Washfountain

2.) Pedestal Mounting:

- WALL Wall Mounted (Standard)
- FLR Floor Mounted

3.) Junior Height Option:

- JR Junior Height (31" Rim Height, Wall Mounted JR. ADA Compliant; Floor Mounted Not ADA Compliant)

4.) Valve Actuation:

- PPB1 Standard Pneumatic Push Buttons for Single Temperature Pneumatic Metering Valves
- PZPB1 Ligature-resistant Piezo Electronic Push Buttons for Single Temperature Electronic Valves (w/ Pneutronic Control)**
- IR Infrared Sensors, Plug-in*
- BO Infrared Sensors, Battery Operated
- FO Foot Operated Pneumatic Push Buttons (Not ADA Compliant, Requires FLR Floor Mounted Pedestal)

5.) Other Options:

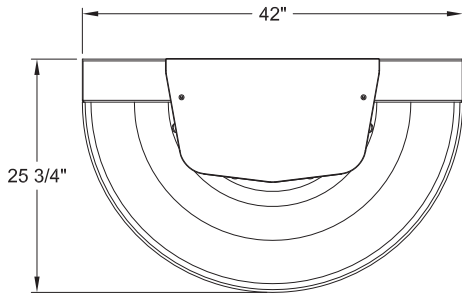
- LSD Liquid Soap Dispensers (2)
- TL Less In-line Thermostatic Mixing Valve
- SSC Stainless Steel Head Cover (Top Cap)
- KPWF Wall Mounted Stainless Steel Kick Plate (For wall-mounted pedestal only)
- LSH 1.5 gpm Laminar Flow Sprayheads
- Other _____
- Other _____

*(Req. 110V power through ground fault interrupter (GFCI) receptacle)

**LIGATURE-RESISTANT DISCLAIMER

This product is designed to minimize ligature points. While every effort has been made to reduce the possibility of ligature points, this product does not eliminate all risks. Ligature-Resistant products by Willoughby Industries are to be used in conjunction with, not as a replacement for, trained professionals.

Approved For Manufacturing By: _____ Date: _____ Company: _____
 Wall Thickness: _____ Wall Type: _____

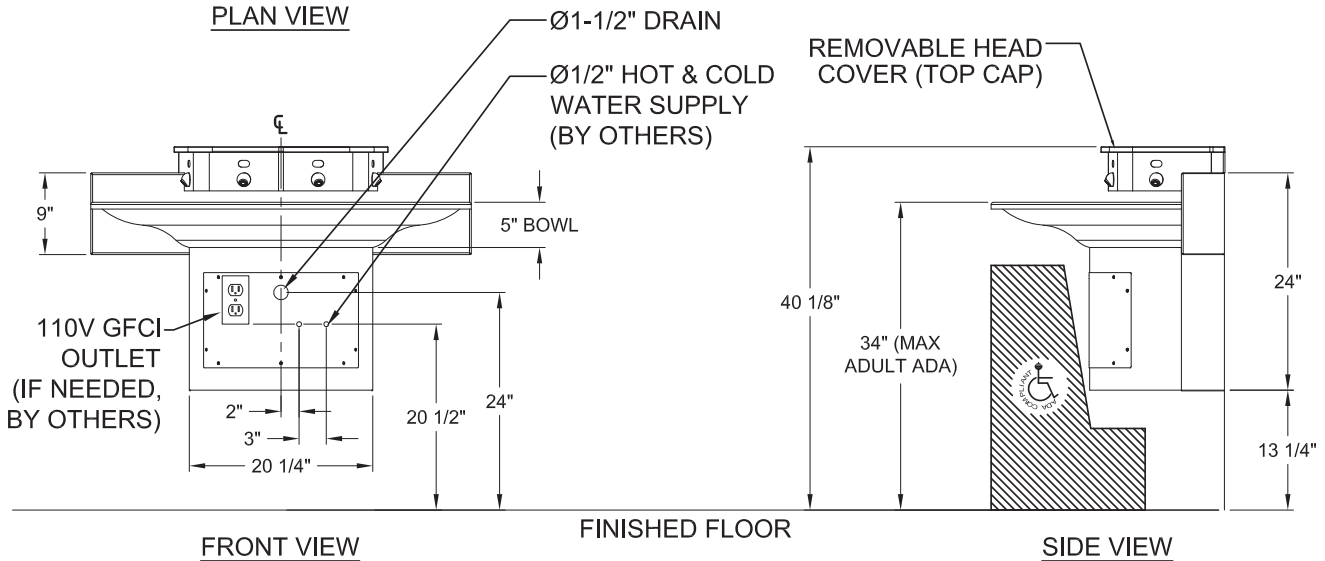


IN COMPLIANCE WITH A.D.A. 2010

WALL MOUNTED ROUGH-IN SHOWN; FOR FLOOR MOUNTED ROUGH-IN, CONTACT FACTORY

NOTE:
ROUGH-IN DIMENSIONS ARE FOR A RIM HEIGHT OF 34" A.F.F. ADJUST DIMENSIONS ACCORDINGLY FOR ALTERNATE RIM HEIGHT.

VERIFY ALL DIMENSIONS WITH FACTORY PRIOR TO ROUGH-IN
 WILLOUGHBY RESERVES THE RIGHT TO MAKE CHANGES IN DESIGN AND DIMENSIONS WITHOUT FORMAL NOTICE AND WITHOUT INCURRING OBLIGATION.



visit our website at www.willoughby-ind.com
 5105 West 78th Street • Indianapolis, IN. 46268
 (317) 875-0830 • Fax: (317) 875-0837 • (800) 428-4065



MADE IN THE U.S.A.