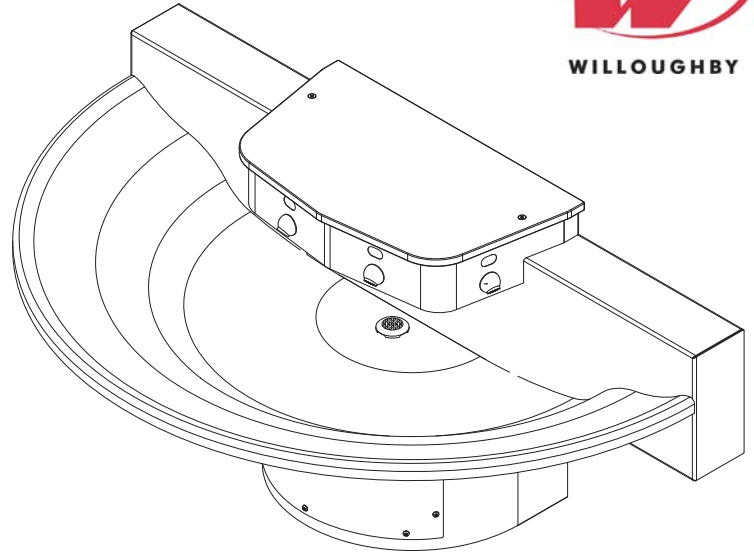




## WWF-5403/5404 Three and Four Station Half Round 54" Stainless Steel Deep Bowl Washfountain



*(Unit may be shown with optional features)*

To specify fixture and accessories, use the Model Number and Options page.

Example: To specify a 4 Station Half Round, 54" Stainless Steel, Deep Bowl Washfountain with standard wall mounting (34" rim height) and hard-wired infrared sensors

Use the following Willoughby Model Number:

**WWF-5404-WALL-IR**

### Recommended Specifications

Half Round, 54" Stainless Steel, Deep Bowl Washfountain shall be: Willoughby Model No. **WWF-540**\_\_\_\_ (select from model number and options list on next page)

Washfountain shall accommodate from 1 to 3 users simultaneously for the 3 station or 1 to 4 users simultaneously for the 4 station. Washfountain bowl is constructed of **12 GA. stainless steel**. Pedestal and water distribution head shall be constructed of heavy gauge, Type 304 stainless steel. Head cover is constructed of Aquasurf® solid surface material (Grey Granite color). Exposed stainless steel surfaces shall be polished to a #3 satin finish.

The push buttons and water spray nozzles shall be machined Type 303 stainless steel. Drain grate shall be constructed of heavy gauge stainless steel. The sprayhead module shall be equipped with independent spray nozzles; each controlled by a separate push button or infrared sensor. Flow restrictor shall maintain flow rates at 0.5 GPM per station.

All washfountains shall be supplied with thermostatic mixing valves, checkstops and strainers, drain spud, flexible supply hoses, control valves, color coded water lines and Class II, 120/24 VAC plug-in transformer (as needed)\*. Operating supply water pressure range is 35-70 PSI.

#### Vandal resistance:

All spray nozzles, push buttons, infrared sensors, and escutcheons are secured to the unit from within the sprayhead. Valves, water supplies and waste connections are concealed within the pedestal. Removable access panels are secured with vandal resistant security Torx screws. Unit is shipped pre-assembled.

#### ADA, TAS, and ANSI Compliant:

When the washfountain is mounted at the standard 34" adult rim height, it is designed to comply with applicable ADA, TAS, and ANSI Z124.3 and Z124.6 accessibility guidelines.

This excludes Floor Mounted Foot Operated (FO) models.

#### Optional Features:

Willoughby washfountains offer liquid soap dispensers and a stainless steel head cover as optional accessories. Willoughby washfountains can be ordered with 31" rim heights for juvenile use (JR) (Junior ADA Compliant). A wall mounted stainless steel kick plate (KPWF) is available for wall-mounted pedestals w/ floor-based plumbing rough-ins.

\* *Note:* Plug-in transformer must be used with a ground fault interrupter (GFCI) receptacle to prevent possible electrical shock.



**WARNING:** Cancer and Reproductive Harm

- [www.P65Warnings.ca.gov](http://www.P65Warnings.ca.gov)



MADE IN THE U.S.A.

visit our website at [www.willoughby-ind.com](http://www.willoughby-ind.com)  
5105 West 78th Street • Indianapolis, IN. 46268  
(317) 875-0830 • Fax: (317) 875-0837 • (800) 428-4065

