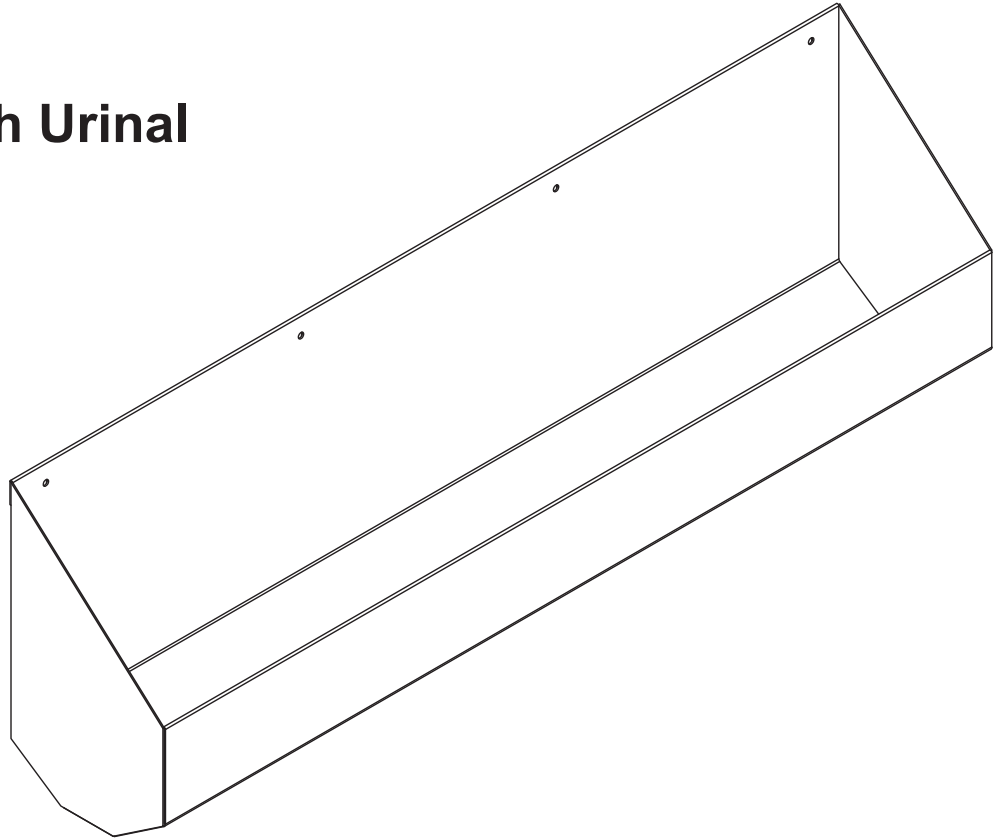




## WWU-1500 Series Stainless Steel Multi-Person Waterless Trough Urinal



*(Unit may be shown with optional features)*

To specify fixture and accessories, use the Model Number and Options page.

Example: To specify a 36" Stainless Steel, Multi-Person Waterless Trough Urinal

Use the following Willoughby Model Number:

**WWU-1536**

### Recommended Specifications

Stainless Steel, Multi-Person Waterless Trough Urinal shall be:  
Willoughby Model No. **WWU-15**\_\_\_\_  
(Select from model number and options list on next page)

Fixture is fabricated from 14 GA., Type 304 stainless steel. The construction shall be all-welded with exposed stainless surfaces polished to a #4 satin finish.

Standard equipment shall include:

- Beehive strainer with Ø1-1/2", 2" long tailpiece

Anchoring shall be from the front, anchoring holes provided.  
Anchor hardware by others.

Unit requires no chase area for installation and maintenance.



**WARNING:** Cancer and Reproductive Harm

- [www.P65Warnings.ca.gov](http://www.P65Warnings.ca.gov)

visit our website at [www.willoughby-ind.com](http://www.willoughby-ind.com)  
5105 West 78th Street • Indianapolis, IN. 46268  
(317) 875-0830 • Fax: (317) 875-0837 • (800) 428-4065



MADE IN THE U.S.A.

# MODEL NUMBER AND OPTIONS:

**1.) Base Model Number:**

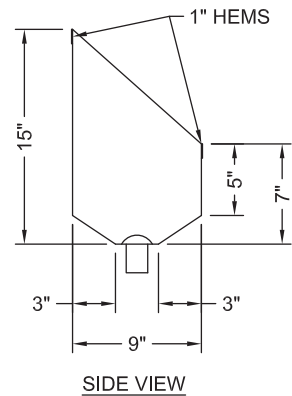
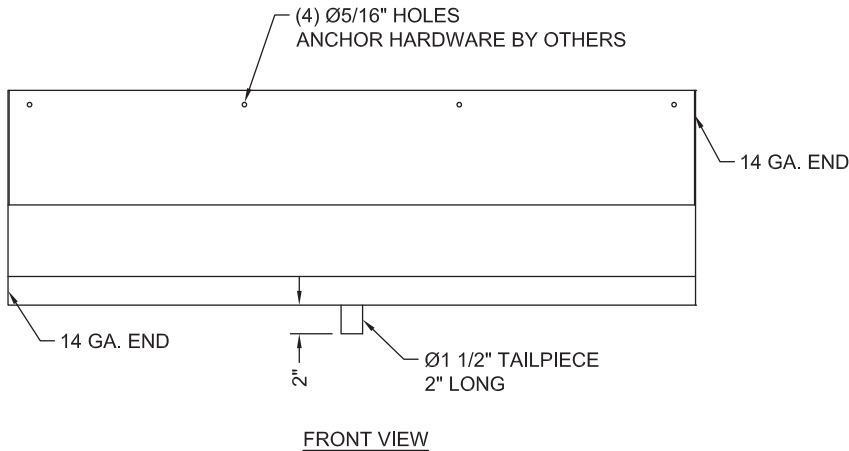
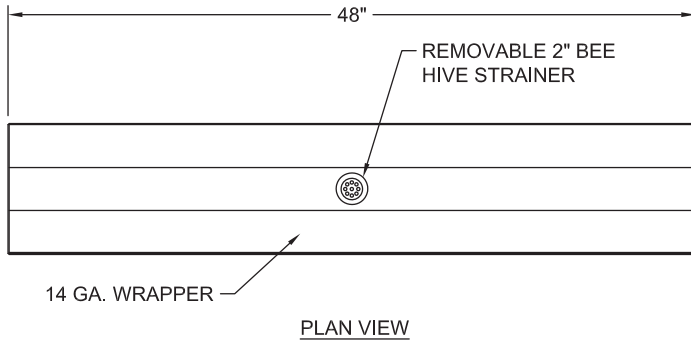
- WWU-1536      36" Stainless Steel, Multi-Person, Waterless Trough Urinal
- WWU-1548      48" Stainless Steel, Multi-Person, Waterless "
- WWU-1560      60" Stainless Steel, Multi-Person, Waterless "
- WWU-1572      72" Stainless Steel, Multi-Person, Waterless "
- WWU-1596      96" Stainless Steel, Multi-Person, Waterless "

**2.) Options:**

- BKSPL36      36" x 36" 14 GA. Stainless Steel Backsplash
- BKSPL48      36" x 48" 14 GA. "
- BKSPL60      36" x 60" 14 GA. "
- BKSPL72      36" x 72" 14 GA. "
- BKSPL96      36" x 96" 14 GA. "
- Other \_\_\_\_\_
- Other \_\_\_\_\_

Approved For Manufacturing By: \_\_\_\_\_ Date: \_\_\_\_\_ Company: \_\_\_\_\_  
 Wall Thickness: \_\_\_\_\_ Wall Type: \_\_\_\_\_

**VERIFY ALL DIMENSIONS WITH FACTORY PRIOR TO ROUGH-IN**  
 WILLOUGHBY RESERVES THE RIGHT TO MAKE CHANGES IN DESIGN AND DIMENSIONS WITHOUT FORMAL NOTICE AND WITHOUT INCURRING OBLIGATION.



**visit our website at [www.willoughby-ind.com](http://www.willoughby-ind.com)**  
 5105 West 78th Street • Indianapolis, IN. 46268  
 (317) 875-0830 • Fax: (317) 875-0837 • (800) 428-4065



**MADE IN THE U.S.A.**