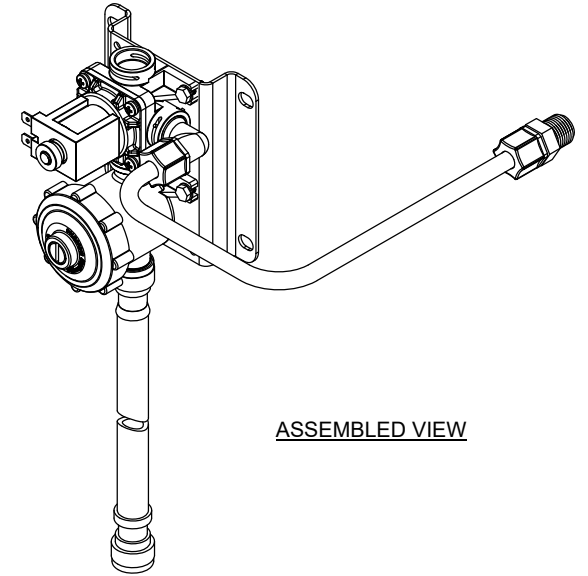


EXPLODED VIEW



ASSEMBLED VIEW

ITEM #	PART #	DESCRIPTION	QTY.
1	980501	PM1 VALVE BRACKET	1
2	980183	CHECKSTOP ASSEMBLY	1
3	980408PR	E1L VALVE ASSEMBLY - RIGHT PLUGGED PORT	1
4	980140	SPRING CLIP, ROUND	2
5	800133	#10-16 SELF TAP TYPE B HEX HEAD SCREW	4
6	980600A	VALVE FITTING ASSEMBLY, 3/8" ELBOW	1
7	380138	FLOW REGULATOR, 0.5 GPM, RED (MR03)	1
8	600523	FLEXIBLE TUBING 3/8"OD X 1/4"ID	1
9	320566	3/8" x 3/8" MPT CONNECTOR	1
10	980506	6" FLEX HOSE, 1/2 F.I.P CONNECTION	1



**Willoughby Industries, Inc.**  
Indianapolis, Indiana

TOLERANCES  
EXCEPT AS  
NOTED

2 PLCS: ±0.03  
3 PLCS: ±0.015  
FRACTIONS: ±1/32"  
ANGLE: ±1°

SIZE: A  
SCALE: 1:4

TITLE / DESC.:

VALVE ASSY ELECTRONIC SINGLE TEMP - 0.5 GPM - LEAD FREE

PART #:

E1L1105X0S

MATL: N/A  
REF.:

REVISION: A

ORIG.: EEF 3/7/17  
REV.: EEF 3/7/17

STANDARD SHEET: 1 OF 1