



WILLOUGHBY INDUSTRIES, INC.  
INDIANAPOLIS, INDIANA

DIMENSIONS ARE +/- 1/4"  
EXCEPT AS NOTED

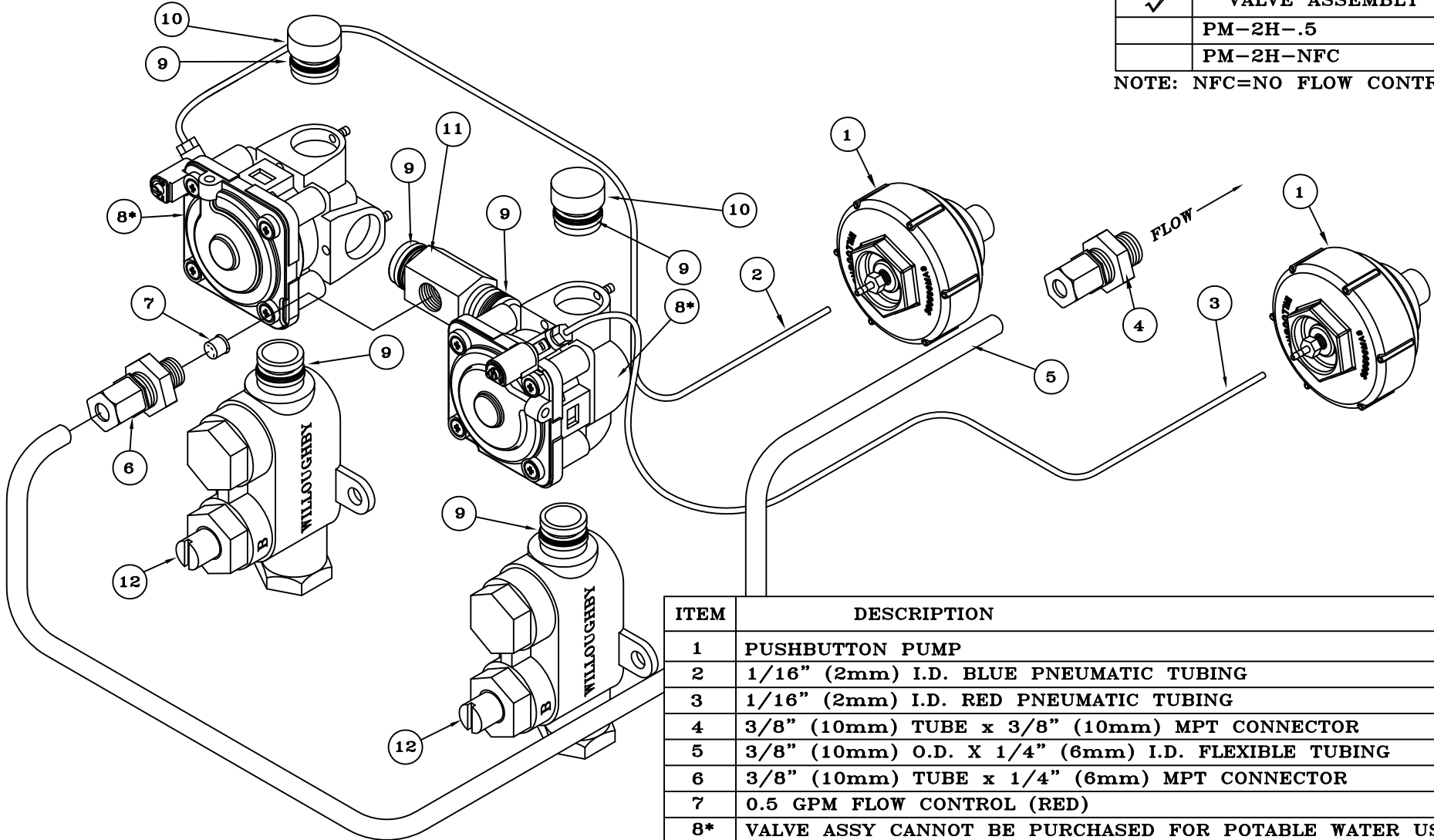
TITLE:  
**DUAL TEMPERATURE PNEU./PNEU. METERING VALVE  
ASSEMBLY, MODEL: PM-2 (PM-2H-\_\_)**

MATERIAL:  
N/A

DRAWN BY: S.S.S. DATE: 11/13/00  
SCALE: NONE

DRAWING #:  
**P007534A**

REV. #:  
**D**  
2/11/14  
STANDARD DWG.



✓	VALVE ASSEMBLY
	PM-2H-.5
	PM-2H-NFC

NOTE: NFC=NO FLOW CONTROL

ITEM	DESCRIPTION	PART #
1	PUSHBUTTON PUMP	600307
2	1/16" (2mm) I.D. BLUE PNEUMATIC TUBING	600475
3	1/16" (2mm) I.D. RED PNEUMATIC TUBING	600470
4	3/8" (10mm) TUBE x 3/8" (10mm) MPT CONNECTOR	320566
5	3/8" (10mm) O.D. X 1/4" (6mm) I.D. FLEXIBLE TUBING	600523
6	3/8" (10mm) TUBE x 1/4" (6mm) MPT CONNECTOR	321010
7	0.5 GPM FLOW CONTROL (RED)	380138
8*	VALVE ASSY CANNOT BE PURCHASED FOR POTABLE WATER USE	380997WI
9	PNEUMATIC VALVE SLIPJOINT O-RING	600130
10	PLUG FITTING	380998
11	TEE FITTING	380221
12	CHECKSTOP STRAINER ASSEMBLY	600183