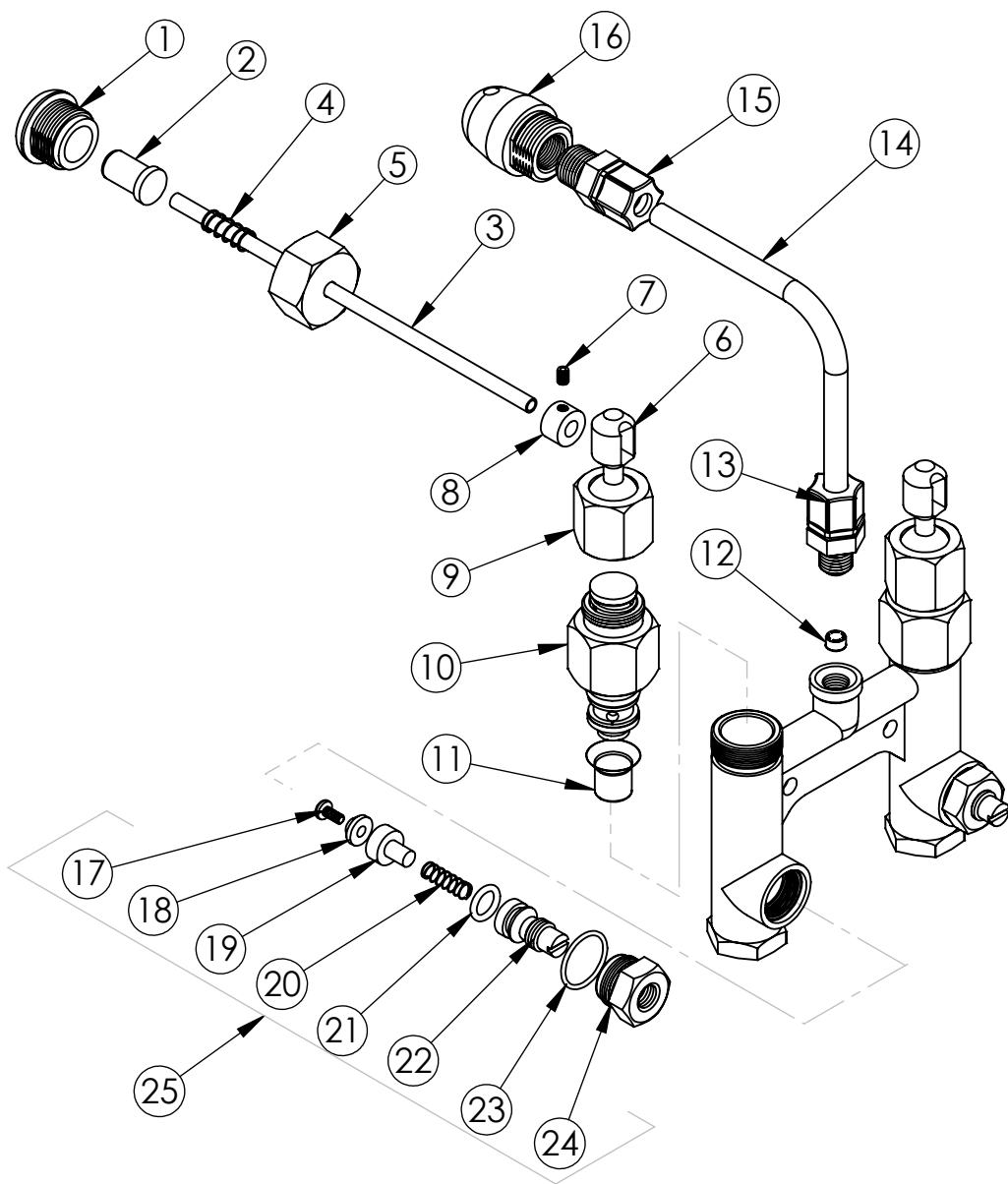


SPECIFY WALL THICKNESS
FOR PUSHROD LENGTH _____

AFTER MARCH 2000



ITEM NO.	PART NUMBER	DESCRIPTION	QTY.
1	380145	PUSHBUTTON SLEEVE	2
2	600060	PUSHBUTTON	2
3	115104	PUSHROD (LENGTH=WALL + 6")	2
4	600075	SPRING FOR PUSHROD	2
5	600055	PUSHBUTTON NUT	2
6	380118	TOGGLE LEVER, BRASS	2
7	600096	SCREW, SOCKET SCREW, S/S, #10-32 X 1/4"	2
8	600095	COLLAR 1/4" BRASS SHAFT	2
9	600005	TOGGLE NUT	2
10	600276	CARTRIDGE SELF-CLOSING	2
11	600181	INSERT, STRAINER, T304 S/S (80-MESH)	2
12	380138	FLOW REGULATOR, 0.5 GPM, RED (MR03)	1
13	321010	3/8" TUBE x 1/4" MPT CONNECTOR	1
14	970018	TUBING 3/8 OD X 1/4 ID NATURAL	1
15	320566	3/8" x 3/8" MPT CONNECTOR	1
16	380045	(BP) FILLER/BUBBLER	1
17	540001	SCREW #8-32 x 3/8" PANHEAD SLOTTED	2
18	600176	FAUCET WASHER (NSF)	2
19	600091	CHECKSTOP PLUNGER	2
20	600234	SPRING FOR CHECKSTOP	2
21	600120	O-RING (#111) #77035-R .424"ID	2
22	600093	CHECKSTOP STEM	2
23	600768	O-RING (#019)	2
24	600092	CHECKSTOP NUT	2
25	600089	STOP ASSEMBLY	2



Willoughby Industries, Inc.
Indianapolis, Indiana

TOLERANCES
EXCEPT AS
NOTED

2 PLCS: ±0.03
3 PLCS: ±0.015
FRACTIONS: ±1/32"
ANGLE: ±1°

SIZE: A
SCALE: 1:1

TITLE / DESC.:

MECHANICAL METERING DUAL TEMPERATURE LAVATORY VALVE ASSEMBLY MODEL WM-2

PART #:

920014

REVISION: A

ORIG.: RTS 8/27/99
REV.: NAL 3/1/18

SHEET: 1 OF 1