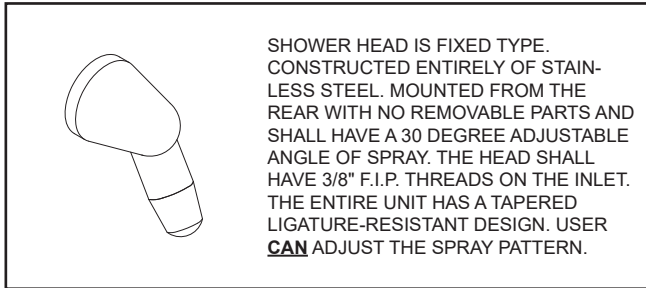
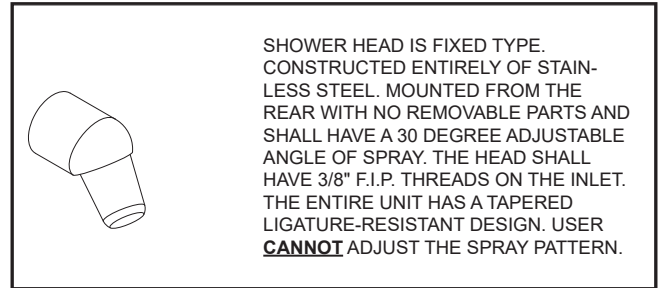


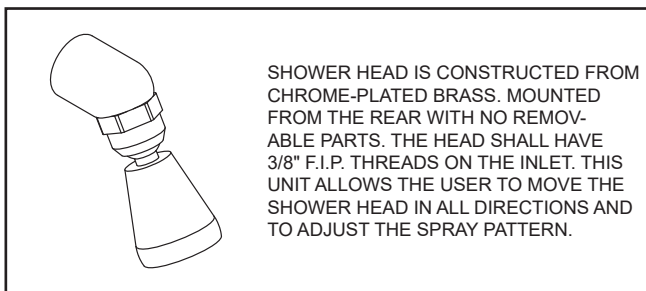
## SHOWER HEAD OPTIONS



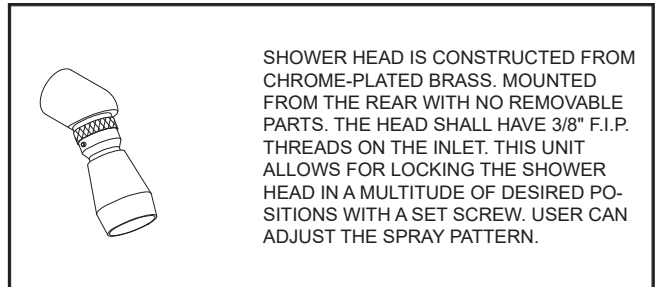
(APS) ADJUSTABLE VANDAL-RESISTANT SHOWER HEAD



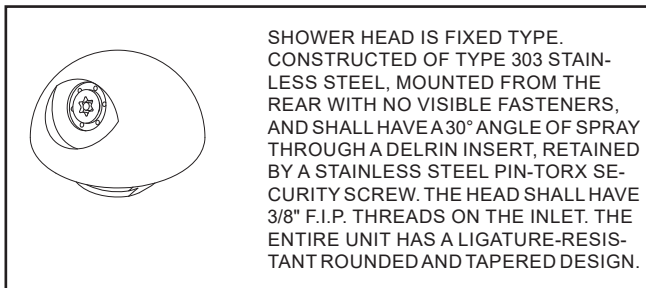
(NPS) NON-ADJUSTABLE VANDAL-RESISTANT SHOWER HEAD



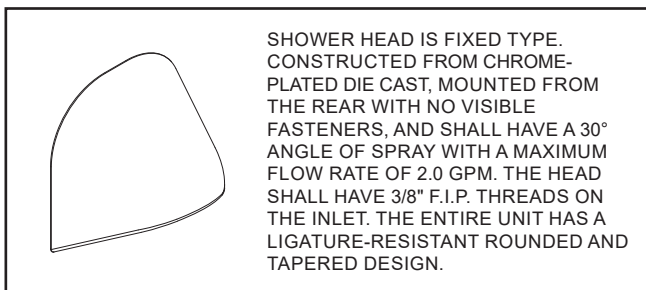
(UBJ) UNIVERSAL BALL JOINT SHOWER HEAD



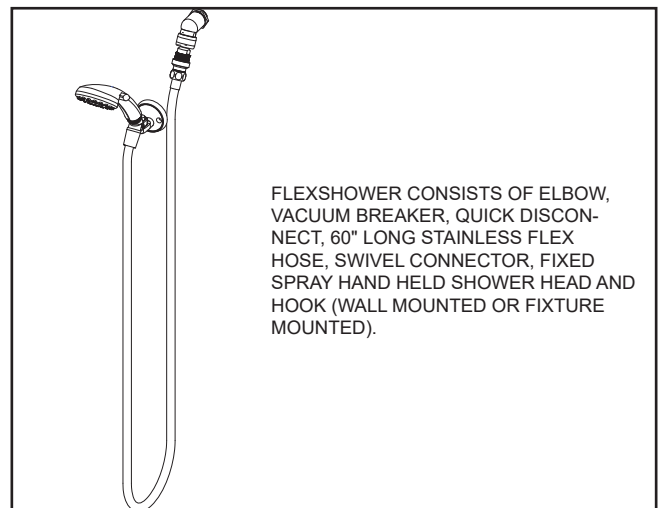
(LBJ) LOCKABLE BALL JOINT SHOWER HEAD



(CSH) LIGATURE-RESISTANT SHOWER HEAD

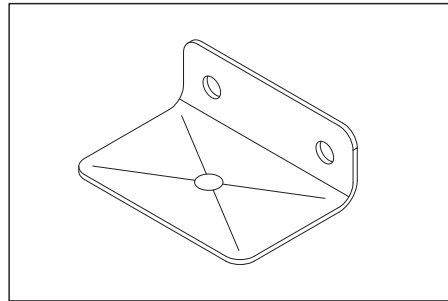


(LRSH) LIGATURE-RESISTANT HIGH EFFICIENCY SHOWER HEAD

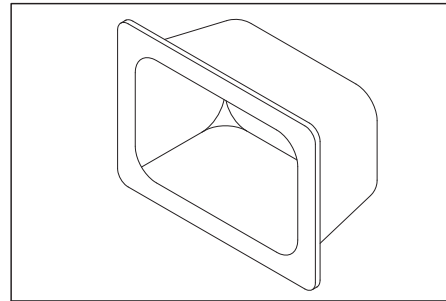


(FX) FLEXSHOWER HEAD

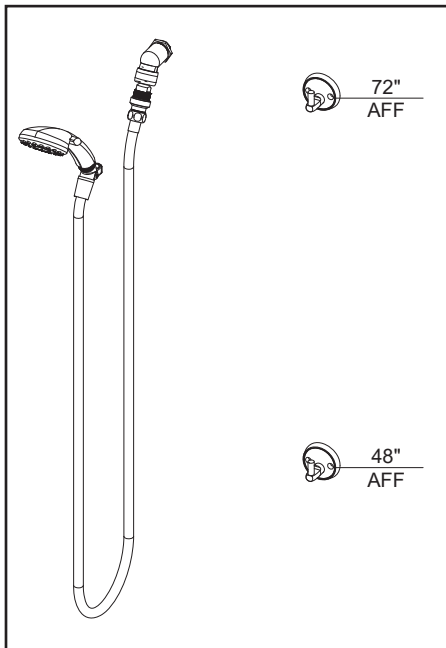
## OTHER SHOWER OPTIONS



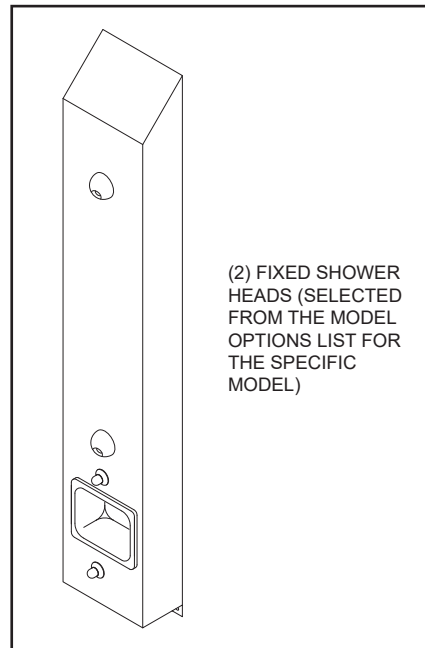
(SD) SURFACE MOUNTED SOAP DISH



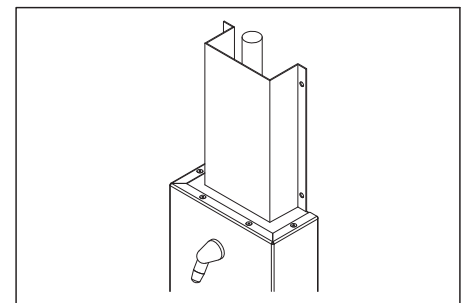
(RD) RECESSED SOAP DISH



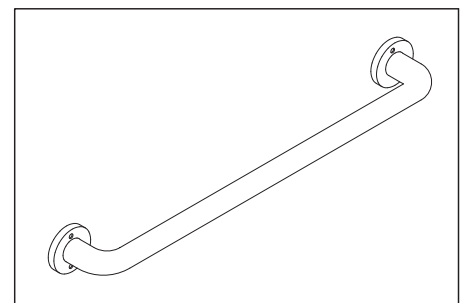
(HL) HI-LO (2 MOUNTING HOOKS FOR FLEXSHOWER)



(2HD) DUAL FIXED SHOWER HEADS



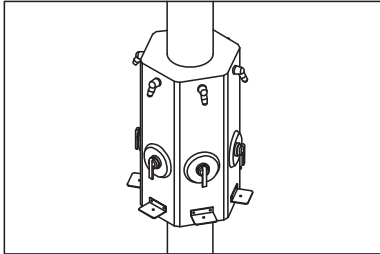
(PS) PIPE SHROUD FOR STANDARD UNITS CONCEALS TOP SUPPLY PIPING



(GB\_\_\_\_) GRAB BAR (SPECIFY DIMENSIONS)

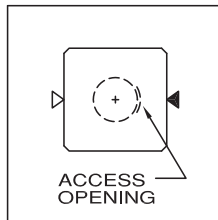
## COLUMN SHOWER OPTIONS

### BASE MODEL NUMBER

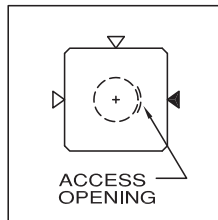


"CWCSY" COLUMN SHOWER

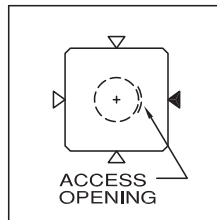
### NUMBER OF STATIONS



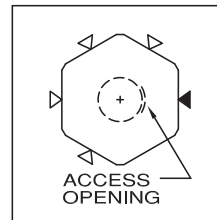
TWO STATION  
"CWCSY"



THREE STATION  
"CWCSY"



FOUR STATION  
"CWCSY"



FIVE STATION  
"CWCSY"



SIX STATION  
"CWCSY"

◀ INDICATES THE NUMBER ONE SHOWER STATION. ACCESS OPENING AND IDENTIFICATION NOTCH ON DRAIN ARE LOCATED ON THE VERTICAL CENTERLINE OF THE NUMBER ONE STATION. COUNT CLOCKWISE TO IDENTIFY OTHER STATIONS.

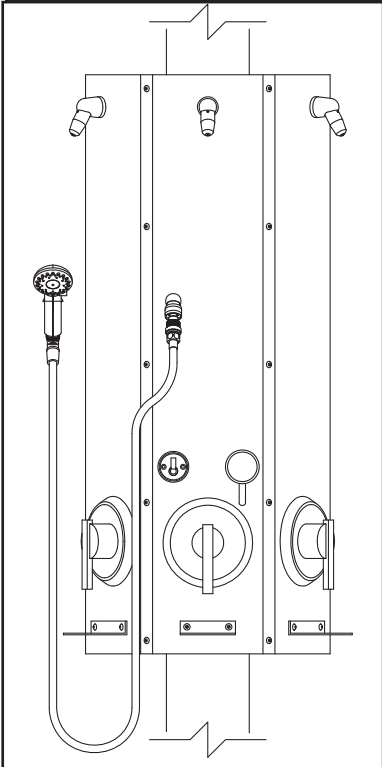
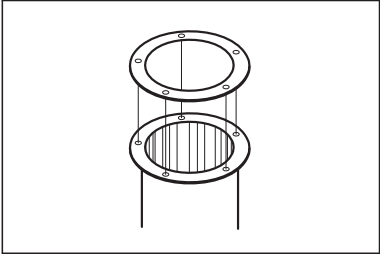
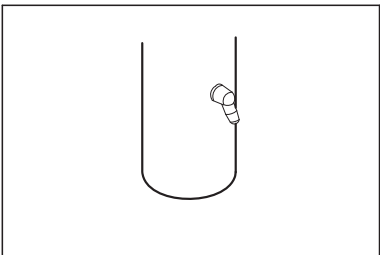
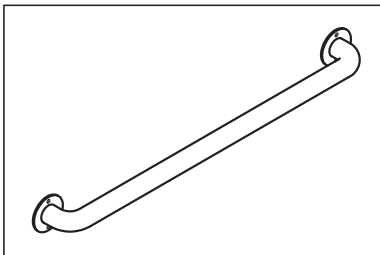
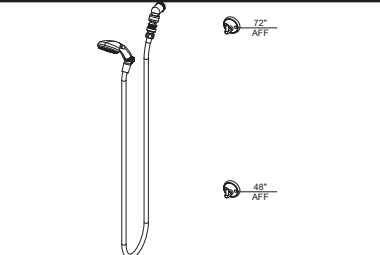
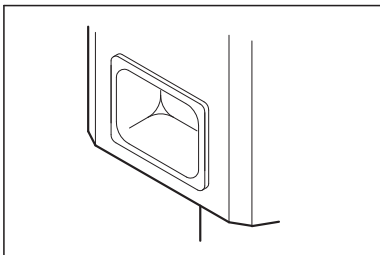
visit our website at [www.willoughby-ind.com](http://www.willoughby-ind.com)

5105 West 78th Street • Indianapolis, IN. 46268  
(317) 875-0830 • Fax: (317) 875-0837 • (800) 428-4065



MADE IN THE U.S.A.

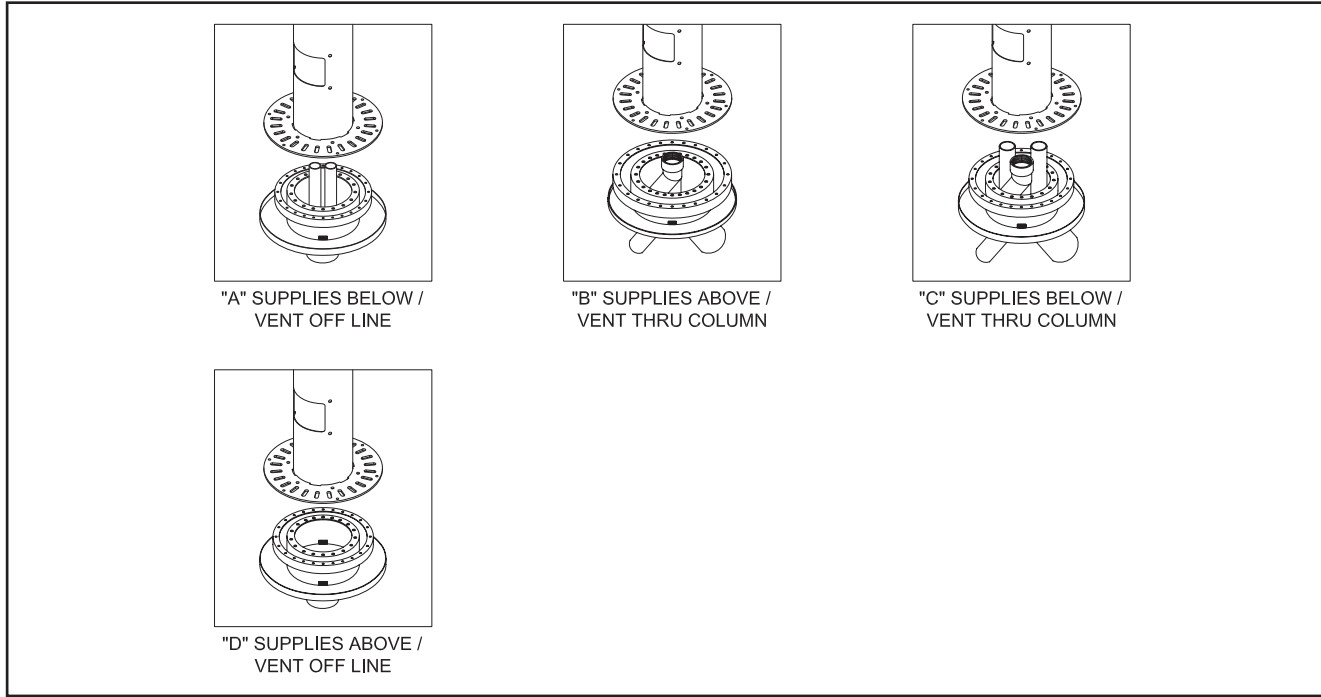
## COLUMN SHOWER OPTIONS (CONT.)

			
<p>"HCA" HANDICAP ACCESSIBLE COLUMN SHOWER STATION (OPTION ADDS ONE ACCESSIBLE STATION PER COLUMN)</p> <p>(INCLUDES ELONGATED SHOWER PANELS TO ACCOMMODATE (2) SHOWER HEADS (MOUNTED AT 48" AFF AND 72" AFF), VALVING, AND FEATURES INTENDED TO MEET MOST, BUT NOT ALL, ADA REQUIREMENTS)</p>	<p>"CA" CEILING ANCHOR PLATE FOR SUPPLY COVER ANCHORING HARDWARE BY OTHERS</p>		
		<p>"FS" FOOT SHOWER AT ONE STATION</p>	<p>"GB" GRAB BAR (SPECIFY DIMENSIONS)</p>
		<p>"HL" HI-LO (INCLUDES (2) FLEXSHOWER HOOKS</p>	<p>"RD" RECESSED SOAP DISH</p>

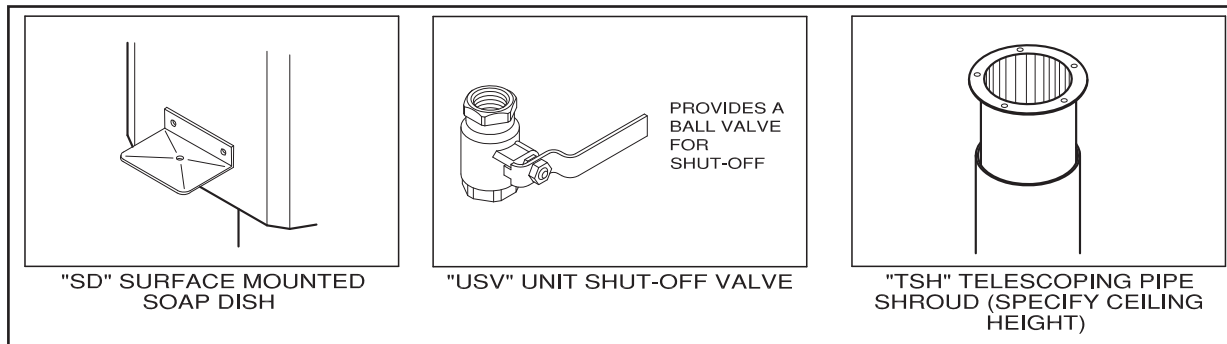


## COLUMN SHOWER OPTIONS (CONT.)

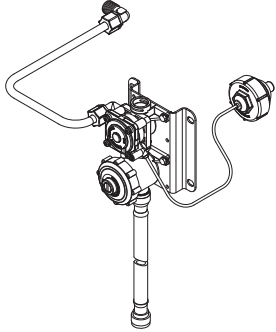
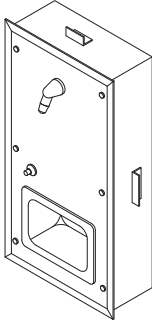
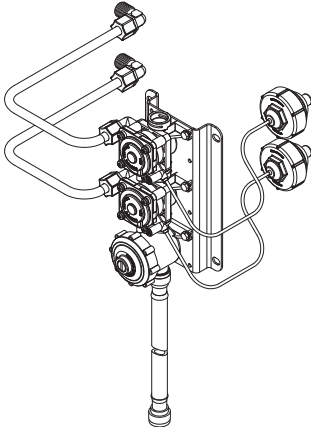
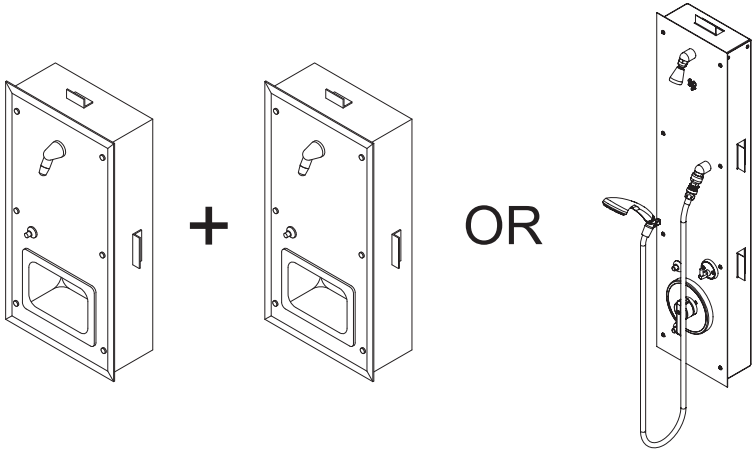
### SUPPLY AND DRAIN TYPE



### OTHER OPTIONS



## SHOWER VALVE MANIFOLDING OPTION

 <p><b>SINGLE VALVE -NO SUFFIX (1 FIXTURE)</b></p>	<p><b><u>Used for (1) Single shower head fixture:</u></b></p> 		
 <p><b>DUAL MANIFOLD VALVE -(MA2) (2 FIXTURES)</b></p>	<p><b><u>Used for (2) Single shower head fixtures (Single Temp.) OR (1) Dual shower head fixture (Single Temp.):</u></b></p> 		
<table border="1"> <tr> <td data-bbox="220 1352 781 1654"> <p><b><u>VALVE MANIFOLDING</u></b></p> <p>"MANIFOLDING" Willoughby suffix (MA2) allows for the operation of two shower valve assemblies, either (2) single shower head fixtures or (1) two shower head fixture from a common pair of Hot/Cold supply lines.</p> </td> <td data-bbox="781 1352 1398 1654"> <p><b><u>PRIMARY ADVANTAGES</u></b></p> <ul style="list-style-type: none"> <li>- Reduces installation costs, labor, and materials</li> <li>- Easier access for maintenance</li> <li>- Adds flexibility and simplicity to your shower design needs</li> </ul> <p>To specify: add suffix (MA2) to the selected valve model number. If manifolding (2) single shower head fixtures, be sure to specify this to your sales representative when placing your order.</p> </td> </tr> </table>		<p><b><u>VALVE MANIFOLDING</u></b></p> <p>"MANIFOLDING" Willoughby suffix (MA2) allows for the operation of two shower valve assemblies, either (2) single shower head fixtures or (1) two shower head fixture from a common pair of Hot/Cold supply lines.</p>	<p><b><u>PRIMARY ADVANTAGES</u></b></p> <ul style="list-style-type: none"> <li>- Reduces installation costs, labor, and materials</li> <li>- Easier access for maintenance</li> <li>- Adds flexibility and simplicity to your shower design needs</li> </ul> <p>To specify: add suffix (MA2) to the selected valve model number. If manifolding (2) single shower head fixtures, be sure to specify this to your sales representative when placing your order.</p>
<p><b><u>VALVE MANIFOLDING</u></b></p> <p>"MANIFOLDING" Willoughby suffix (MA2) allows for the operation of two shower valve assemblies, either (2) single shower head fixtures or (1) two shower head fixture from a common pair of Hot/Cold supply lines.</p>	<p><b><u>PRIMARY ADVANTAGES</u></b></p> <ul style="list-style-type: none"> <li>- Reduces installation costs, labor, and materials</li> <li>- Easier access for maintenance</li> <li>- Adds flexibility and simplicity to your shower design needs</li> </ul> <p>To specify: add suffix (MA2) to the selected valve model number. If manifolding (2) single shower head fixtures, be sure to specify this to your sales representative when placing your order.</p>		

