



WILLOUGHBY

COUNT ON US.



Plumbing fixture and shower parts guide

Ripco & Associates

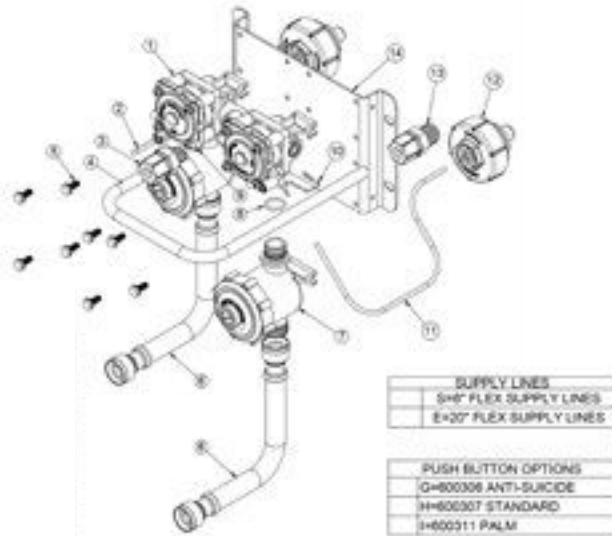
Gregg Riphagen

562-343-6484

greggriphagen@gmail.com

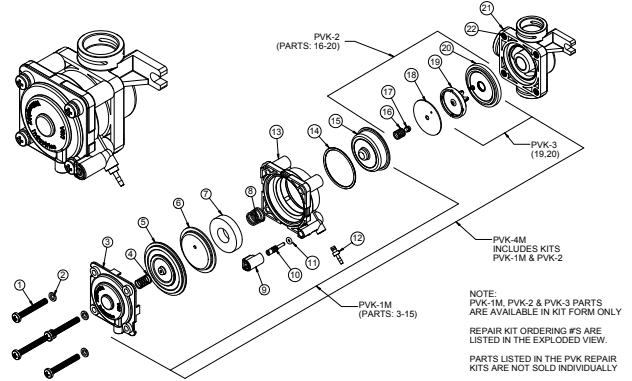


PML2 LEAD FREE PNEUMATIC VALVE ASSEMBLY



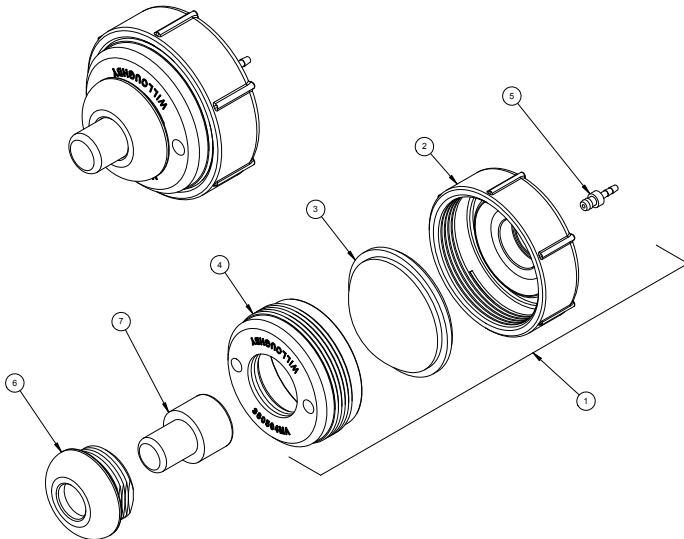
ITEM NO.	PART NUMBER	DESCRIPTION	QTY.
1	980407	PML2 VALVE ASSY	1
2	600470	PNEUMATIC TUBING 1/16" ID (RED)	1
3	321010	3/8" TUBE x 1/4" MPT CONNECTOR	1
4	600523	FLEXIBLE TUBING 3/8" (15mm) OD	1
5	800133	#10-18 SELF TAP TYPE 6 HEX HEAD SCREW	8
6	980506	8" 5/8 FLEX HOSE	2
7	980183	CHECKSTOP ASSEMBLY	2
8	980164	O-RING, #015	2
9	380138	FLOW CONTROL 0.5 GPM (RED)	1
10	980140	SPRING CLIP	2
11	600475	PNEUMATIC TUBING 1/16" ID x 1/8" OD (BLUE)	1
12	600307	PNEUMATIC PUSH-BUTTON	2
13	320566	CONNECTOR 3/8" TUBE x 3/8" MPT	1
14	980502	PML2 Valve Bracket - Plastic	1

PVK PNEUMATIC VALVE PART KITS



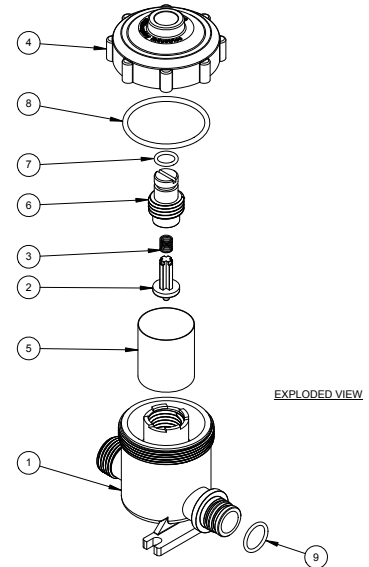
ITEM #.	SUB-ASSY#	PART #	DESCRIPTION	QTY.
1	N/A	980001	#8-32 x 1 1/4" SCREW	4
2	N/A	980002	SPLIT LOCK WASHER	4
3	N/A	380801M	AIR SIDE TOP COVER	1
4	N/A	980134	AIR SIDE SPRING	1
5	N/A	980130	AIR SIDE DIAPHRAGM	1
6		980131	CUP, MAGNET	1
7	980405	980132	MAGNET	1
8	N/A	980135	MAGNET SPRING	1
9		380803M	TIME ADJUSTING COVER	1
10		980139	TIMER ADJUSTING SCREW (BRASS)	1
11	980410	600127	O-RING, TIMER ADJUSTING SCREW	1
12		380840	PUSH-IN HOSE BARB (BRASS)	1
13		380802M	VALVE MOTOR BODY	1
14	N/A	980127	O-RING M1.5X32 BUNA-70	1
15	N/A	980126	BARRIER CUP	1
16	N/A	980136	WATER SIDE SPRING	1
17	980310	980161	RUBBER BUMPER	1
18		980125	WATER SIDE ACTUATING DISK	1
19		980128	3 PRONGED INSERT	1
20	980305	980129	WATER SIDE DIAPHRAGM	1
21	980420	980420	SINGLE TEMP BASE	1
22		980004	BRASS INSERTS	4

PUSHBUTTON PARTS ASSEMBLY



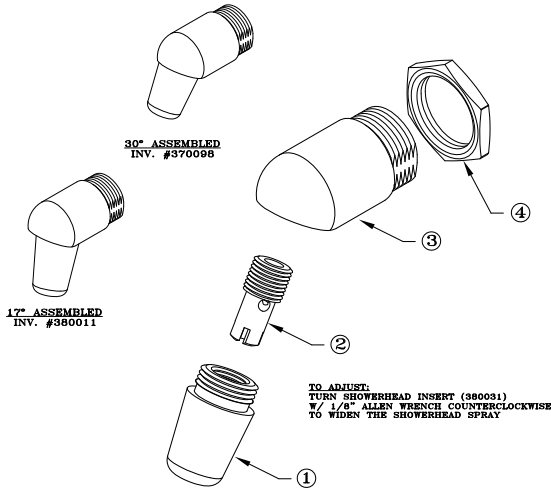
ITEM #	PART #	DESCRIPTION	QTY.
1	600307RK	REPAIR KIT FOR DIAPHRAGM PUSHBUTTON PUMP	1
2	380506MA	BODY, PUSH BUTTON DIAPHRAGM PUMP, MOLDED	1
3	600201	DIAPHRAGM FOR PNEUMATIC PUMP, NEOPRENE	1
4	380504MA	CAP, DIAPHRAGM PUMP, MOLDED	1
5	380840	PUSH-IN HOSE BARB (BRASS)	1
6	380124	SLEEVE, DIAPHRAGM PUMP	1
7	600057	PUSHBUTTON, DIAPHRAGM PUMP	1

CHECKSTOP ASSEMBLY



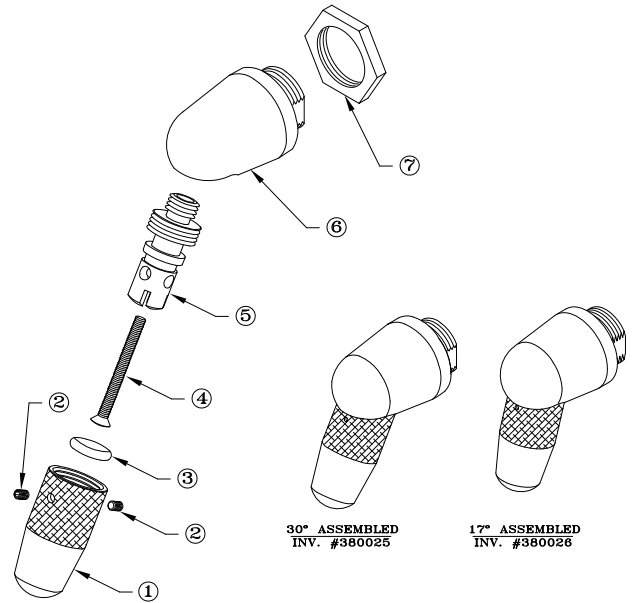
ITEM #	PART #	DESCRIPTION	QTY.
1	980580	CHECKSTOP BASE AND FLOW RESTRICTOR ASSY	1
2	980194	STRAINER PLUNGER	1
3	980201	SPRING, CHECKSTOP/STRAINER	1
4	980192	STRAINER CAP	1
5	980168	SCREEN, STRAINER	1
6	980200	CHECKSTOP SCREW	1
7	980163	O-RING, #012	1
8	980165	O-RING, #130	1
9	980164	O-RING, #015	1

WSH-7 SHOWERHEAD ASSEMBLY



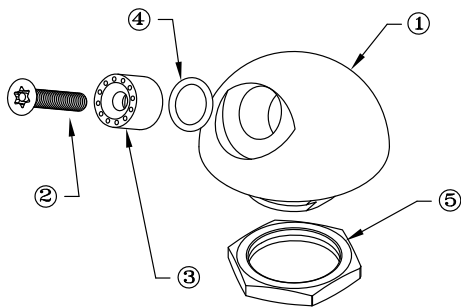
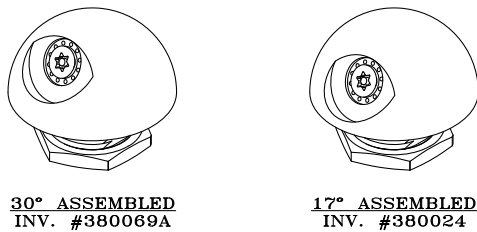
ITEM	DESCRIPTION	PART #
1	SHOWERHEAD CAP, S/S	380032
2	WSH-7 SHOWERHEAD INSERT	380031
3	30° SHOWERHEAD BASE	380029
3	17° SHOWERHEAD BASE (OPTIONAL)	380010
4	3/4" NPT BRASS HEX NUT	600612N

WSH-5D SHOWERHEAD ASSEMBLY



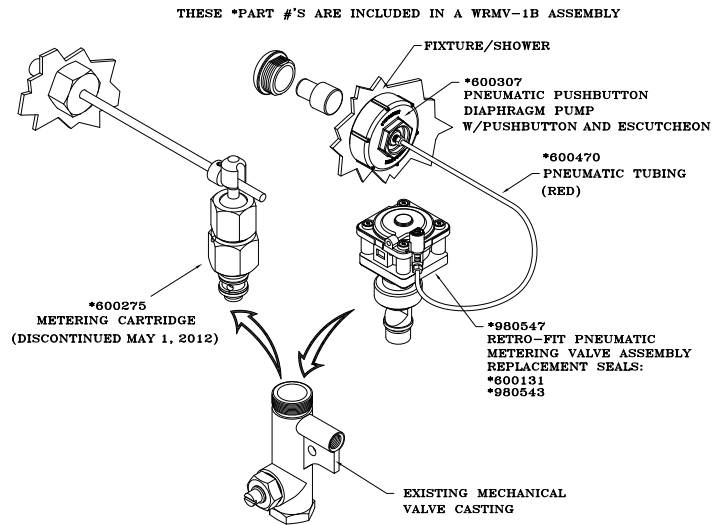
ITEM	DESCRIPTION	PART #
1	SHOWERHEAD CAP, S/S	380013
2	8-32x1/4" S/S SET SCREWS (2)	540010
3	'O' RING	600120
4	10-32x2 1/2" S/S SCREW	540012
5	SHOWERHEAD ORIFICE, S/S	380018
6	30° SHOWERHEAD BASE	380007
6	17° SHOWERHEAD BASE (OPTIONAL)	380008
7	3/4" NPT BRASS HEX NUT	600612N

CSH SHOWERHEAD ASSEMBLY



ITEM	DESCRIPTION	PART #
1	30° SHOWERHEAD BASE	380070
1	17° SHOWERHEAD BASE (OPTIONAL)	380064
2	10-32 x 1" S/S SCREW	540013
3	CSH SHOWERHEAD INSERT	380072
4	O-RING	600129
5	HEX NUT, 3/4" NPT BRASS	600612N

WRMV-1B RETRO-FIT PNEUMATIC METERING VALVE



This item will allow you to retrofit a mechanical valve and turn it into a pneumatic valve

Willoughby also has a full line of plumbing fixtures for your renovation needs:

Standard and ADA combination units, toilets, lavatories, drinking fountains, urinals, shower panels, cabinet showers, electronic controls, mirrors, tissue holders, and more!



Willoughby Industries, Inc.
5105 West 78th Street, Indianapolis, IN 46268
800.428.4065 | fax 317.875.0837
www.willoughby-ind.com