

RTH1 Rear Mounted Tissue Holder

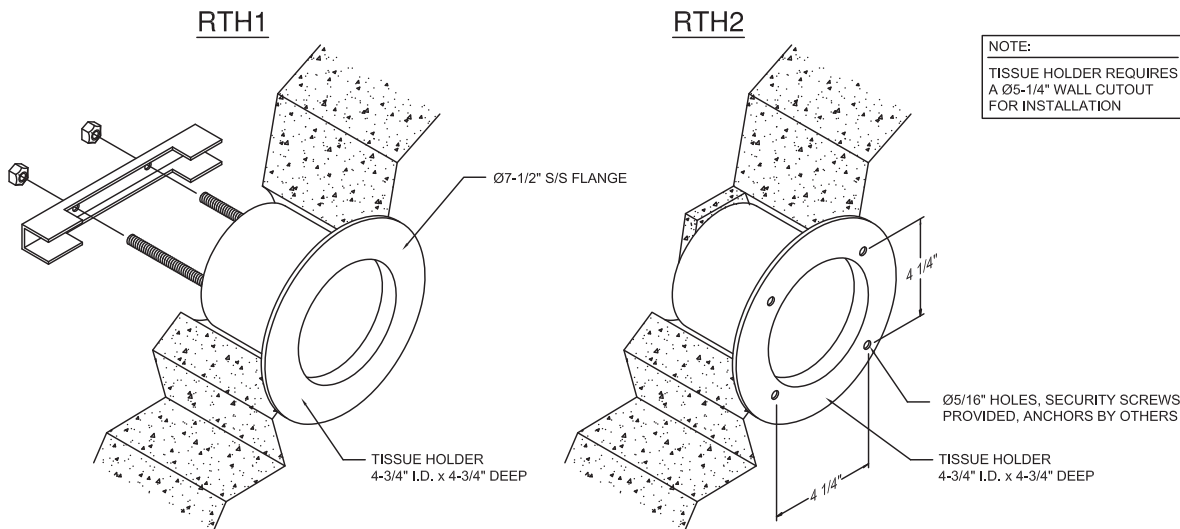
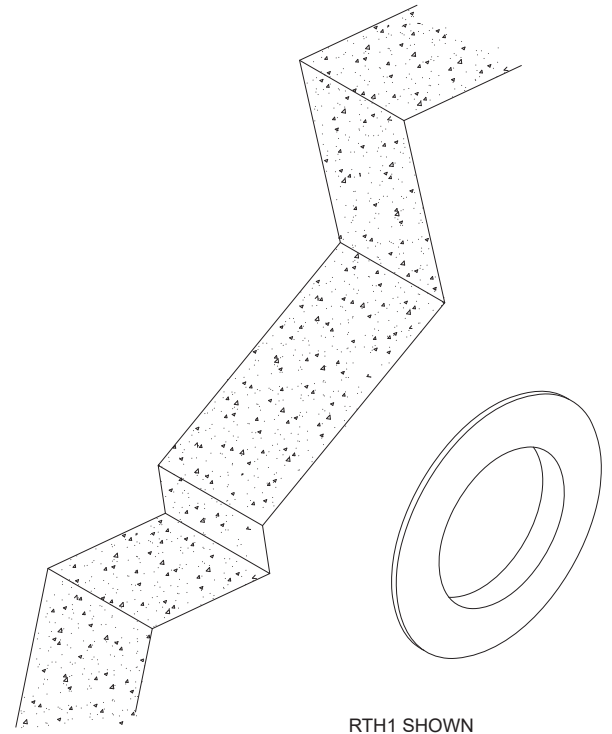
RTH1 recessed toilet tissue holder shall be die-formed of 14 GA, Type 304 stainless steel with an 18 GA, Type 304 #3 satin finish exposed flange. Flange edge to be turned back providing a tight fit to wall. Holder shall accommodate a standard roll of tissue, measuring 4-3/4" in diameter and 4-3/4" deep, providing no free area for the concealment of contraband.

Mounting hardware supplied with the tissue holder.

RTH2 Front Mounted Tissue Holder

RTH2 recessed toilet tissue holder shall be die-formed of 14 GA, Type 304 stainless steel with an 18 GA, Type 304 #3 satin finish exposed flange. Flange edge to be turned back providing a tight fit to wall. Holder shall accommodate a standard roll of tissue, measuring 4-3/4" in diameter and 4-3/4" deep, providing no free area for the concealment of contraband. Mounting shall be from the front.

Stainless steel security screws provided, wall anchors by others.



NOTE:
TISSUE HOLDER REQUIRES
A Ø5-1/4" WALL CUTOUT
FOR INSTALLATION



WARNING: Cancer and Reproductive Harm

- www.P65Warnings.ca.gov

visit our website at www.willoughby-ind.com
5105 West 78th Street • Indianapolis, IN. 46268
(317) 875-0830 • Fax: (317) 875-0837 • (800) 428-4065



MADE IN THE U.S.A.