



## BWLDLDR-1922 Stainless Steel Ligature-resistant Front Mounted Behavioral Healthcare Bariatric Lavatory Powder Coated White



### Recommended Specifications

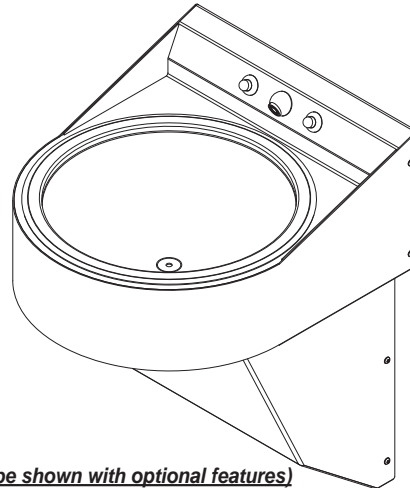
Stainless Steel, Ligature-resistant, Front Mounted, Behavioral Healthcare, Bariatric Lavatory, Powder Coated White shall be: Willoughby Model No. **BWLDLDR-1922**  
(Select from model number and options list on next page)

Wall mounted lavatory shall accommodate one user and is designed to minimize ligature points. The lavatory will have rounded integral sloped backsplash and rounded integral ligature-resistant side splashes. Fixture shall be fabricated from 14 gauge, T304 stainless steel. The construction shall be welded with removable trap enclosure. Fixture exterior, including deck, basin, and trap enclosure, shall have an antimicrobial gloss white powder coat enamel finish\*\*. A bare stainless steel lavatory basin with satin finish is optional.

Wall mounted bariatric lavatory shall accommodate bariatric patients and be able to withstand a static downward force of 650 lbs. at the front edge of the lavatory with no permanent physical damage (see **Mounting** section).

The pre-assembled lavatory sprayhead shall be machined of stainless steel and shall be controlled by a push button or infrared sensor. Lavatory sprayhead shall provide non-aerated water stream. Push button shall be machined of stainless steel, shall require less than 5 lbs. of force to activate, and shall be fully rounded to minimize use as a ligature point. Flow restrictor shall maintain flow rates at 0.5 GPM.

BWLDLDR-1922 Lavatory shall be supplied with drain tailpiece, integral checkstops, flexible supply hoses, control valves, Class II 120/24 VAC plug-in transformers\*. Fixtures with factory valves shall be furnished with thermostatic mixing valve.



*(Unit may be shown with optional features)*

To specify fixture and accessories, use the Model Number and Options page.

Example: To specify a single station Ligature-resistant, Stainless Steel, Behavioral Healthcare Bariatric Lavatory with dual temp. ligature-resistant pneumatic push buttons, and stainless steel lavatory basin

Use the following Willoughby Model Number:

**BWLDLDR-1922-PB2-SSB**

Operating supply water pressure range is 30-75 psi.

#### Vandal Resistance/Safety Features:

The sprayhead, push buttons, infrared sensor, slow drain, and escutcheon are non-removable and are designed to minimize ligature points. Valve, water supplies and waste connection are concealed within trap enclosure. All exposed fasteners shall be vandal-resistant security type screws.

#### ADA, TAS, UFAS, and ANSI Compliant:

Unit shall comply with IAPMO Z124 / CSA B45.5 requirements. It shall also comply with all applicable ADA, TAS, UFAS, and ANSI accessibility guidelines.

#### Mounting:

The lavatory may be wall surface-mounted using the reinforced heavy gauge mounting plate or may be supported by an in-wall plate carrier. A fixture-specific in-wall carrier is an available option, or a generic in-wall carrier may be supplied by others. Proper backing and anchoring hardware for lavatory mounting provided by others.

#### Optional Features:

\* *Note: Plug-in transformer must be used with a ground fault interrupter (GFCI) receptacle to prevent possible electrical shock. (Not required on PML valves)*

\*\**Antimicrobial properties are built-in to inhibit the growth of bacteria that may affect this product. The antimicrobial properties do not protect users or others against bacteria, viruses, germs, or other disease organisms. Always use good, hygienic cleaning practices.*



**WARNING:** Cancer and Reproductive Harm

- [www.P65Warnings.ca.gov](http://www.P65Warnings.ca.gov)

visit our website at [www.willoughby-ind.com](http://www.willoughby-ind.com)  
5105 West 78th Street • Indianapolis, IN. 46268  
(317) 875-0830 • Fax: (317) 875-0837 • (800) 428-4065



MADE IN THE U.S.A.

# MODEL NUMBER AND OPTIONS:

## 1.) Base Model Number:

- BWLDR-1922 Stainless Steel, Ligature-resistant, Front Mounted, Behavioral Healthcare, Bariatric Lavatory, Powder Coated White

## 2.) Valve Actuation:

- PBH1 Ligature-resistant Push Button for Single Temperature Pneumatic Metering
- PBH2 Ligature-resistant Push Buttons for Dual Temperature Pneumatic Metering
- PZPB1 Piezo Push Button for Single Temperature Electronic (w/ Pneutronic Control)\*
- PZPB2 Piezo Push Buttons for Dual Temperature Electronic (w/ Pneutronic Control)\*
- IR Infrared Sensor, Hard-wired\*
- BO Infrared Sensor, Battery Operated

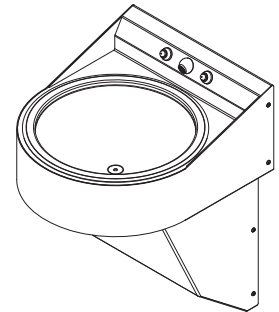
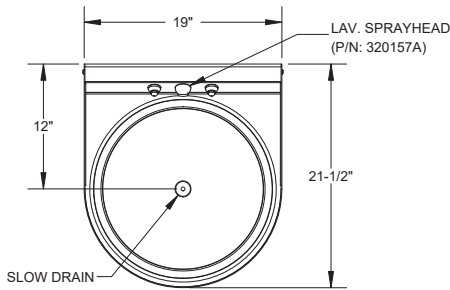
## 3.) Options:

- SSB Stainless Steel Lavatory Basin (basin not powder coated)
- LDC Less Powder Coat Finish
- TL Less In-line Thermostatic Mixing Valve
- MC In-wall Plate Mounting Carrier
- Other \_\_\_\_\_
- Other \_\_\_\_\_

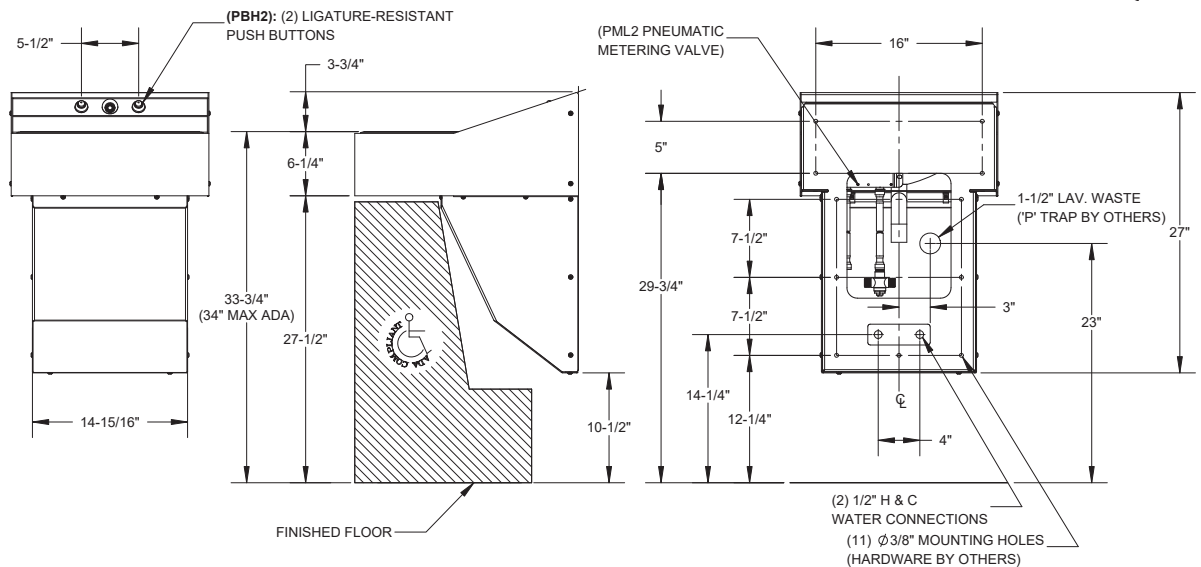
\*(Req. 110V power through ground fault interrupter (GFCI) receptacle)

**\*\*Antimicrobial properties are built-in to inhibit the growth of bacteria that may affect this product. The antimicrobial properties do not protect users or others against bacteria, viruses, germs, or other disease organisms. Always use good hygienic cleaning practices.**

Approved For Manufacturing By: \_\_\_\_\_ Date: \_\_\_\_\_ Company: \_\_\_\_\_  
 Wall Thickness: \_\_\_\_\_ Wall Type: \_\_\_\_\_



**VERIFY ALL DIMENSIONS WITH FACTORY PRIOR TO ROUGH-IN**  
 WILLOUGHBY RESERVES THE RIGHT TO MAKE CHANGES IN DESIGN AND DIMENSIONS WITHOUT FORMAL NOTICE AND WITHOUT INCURRING OBLIGATION.



visit our website at [www.willoughby-ind.com](http://www.willoughby-ind.com)  
 5105 West 78th Street • Indianapolis, IN. 46268  
 (317) 875-0830 • Fax: (317) 875-0837 • (800) 428-4065



MADE IN THE U.S.A.