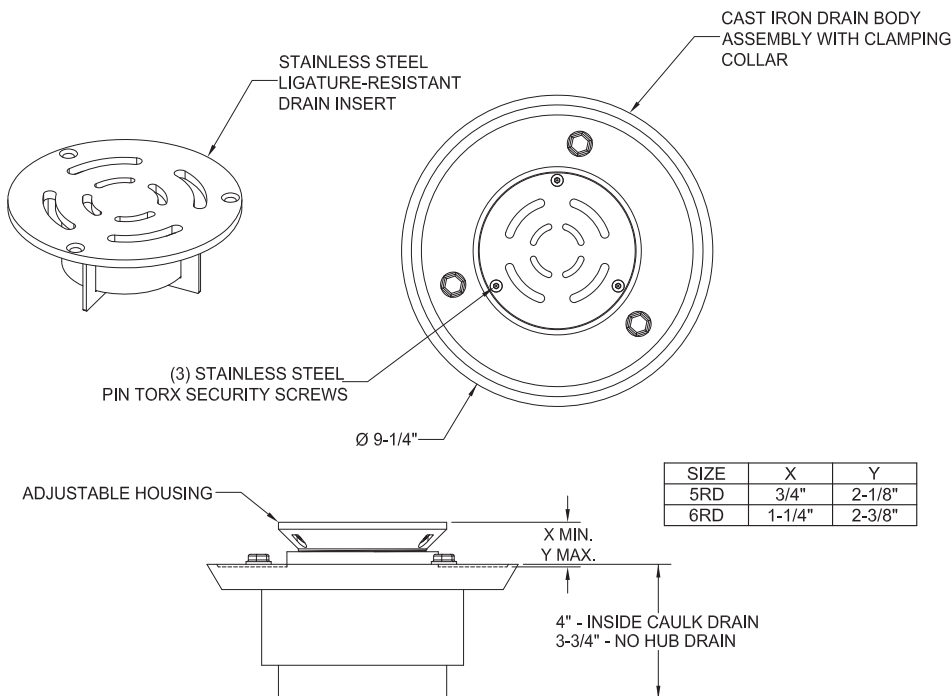
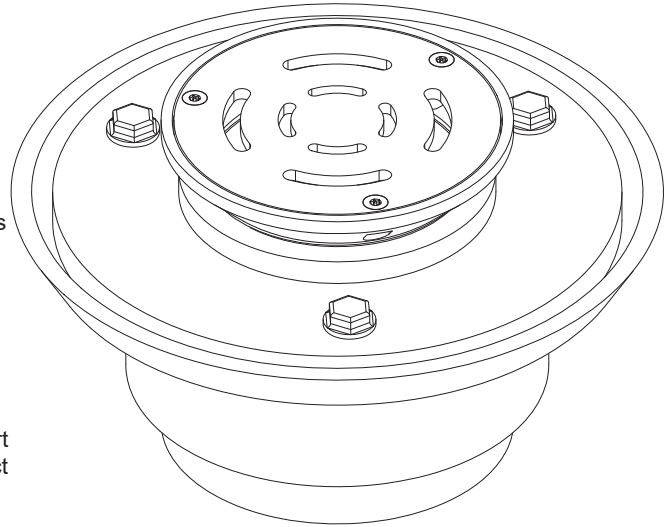


## LRFD Series Ligature-Resistant Floor Drain - Round Strainer

Ligature-resistant floor drain with round strainer shall be Willoughby Model No. **LRFD-\_\_RD-\_\_-\_\_** (select from model number and options list below). Floor drain assembly shall be cast iron with two piece body with double flange and 1/2" primer tap, invertible flashing collar, weep holes, bottom outlet connection and Nikaloy adjustable housing with heavy gauge, stainless steel, ligature-resistant drain insert. The drain insert has 2-1/8 in<sup>2</sup> of open space for both the 5" and 6" insert.

### LIGATURE-RESISTANT DISCLAIMER

This product is designed to minimize ligature points. While every effort has been made to reduce the possibility of ligature points, this product does not eliminate all risks. Ligature-Resistant products by Willoughby Industries are to be used in conjunction with, not as a replacement for, trained professionals.



### 1.) Base Model Number:

- LRFD Ligature-resistant floor drain

### 2.) Drain Insert

- 5RD 5" Ø  
 6RD 6" Ø

### 3.) Pipe Size

- 2 2" Ø Pipe size  
 3 3" Ø Pipe size  
 4 4" Ø Pipe size

### 4.) Connection Type

- NH No-Hub Drain  
 ICD Inside Caulk Drain  
 PHG Push-On Hub with Gasket

### 5.) Domestic Drain (Optional - at additional cost)

- BAA Buy America Act Compliant



**WARNING:** Cancer and Reproductive Harm

- [www.P65Warnings.ca.gov](http://www.P65Warnings.ca.gov)

visit our website at [www.willoughby-ind.com](http://www.willoughby-ind.com)  
5105 West 78th Street • Indianapolis, IN. 46268  
(317) 875-0830 • Fax: (317) 875-0837 • (800) 428-4065