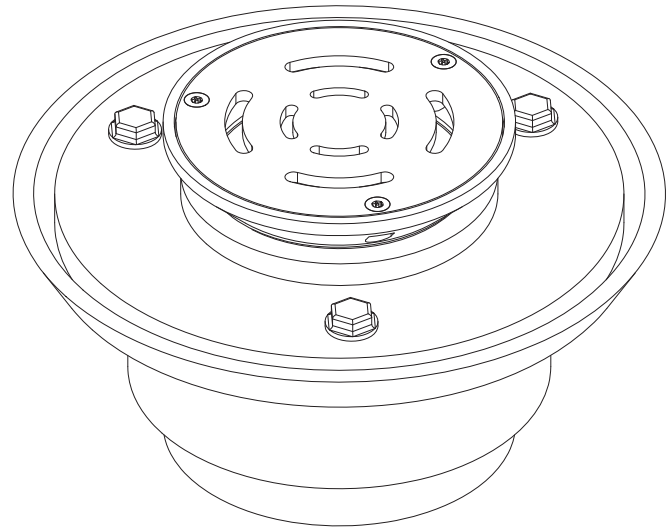


## LRFD Series Ligature-Resistant Floor Drain - Round Strainer



Ligature-resistant floor drain with round strainer shall be Willoughby Model No. **LRFD-\_\_RD-\_\_-\_\_** (select from model number and options list below). Floor drain assembly shall be cast iron with two piece body with double flange and 1/2" primer tap, invertible flashing collar, weep holes, bottom outlet connection and Nikaloy adjustable housing with heavy gauge, stainless steel, ligature-resistant drain insert.

### 1.) Base Model Number:

LRFD Ligature-resistant floor drain

### 2.) Drain Insert

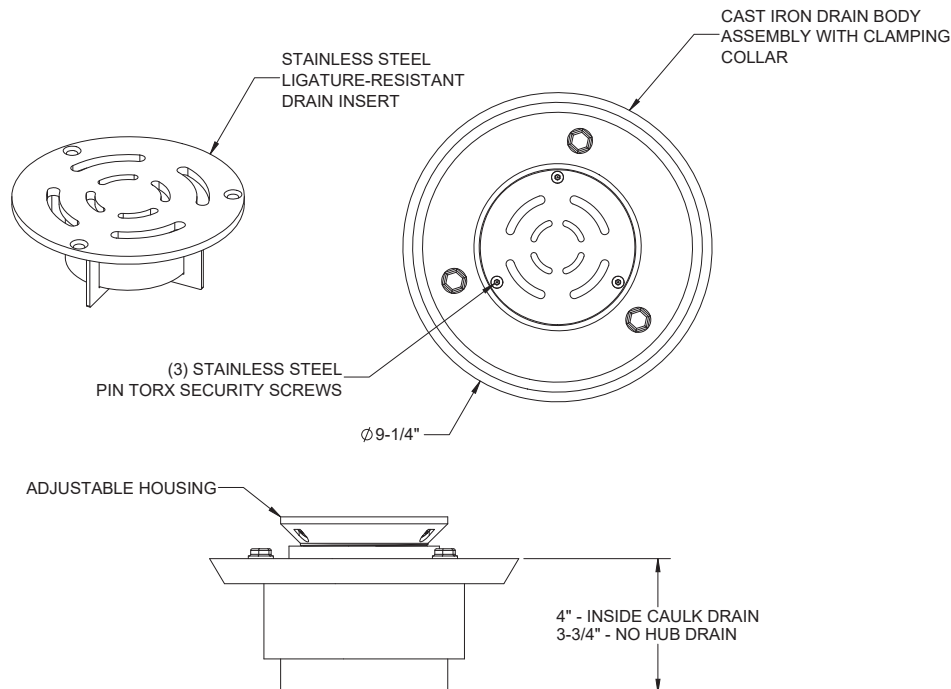
5RD 5" Ø  
 6RD 6" Ø

### 3.) Pipe Size

2 2" Ø Pipe size  
 3 3" Ø Pipe size  
 4 4" Ø Pipe size

### 4.) Connection Type

NH No-Hub Drain  
 ICD Inside Caulk Drain  
 PHG Push-On Hub with Gasket



**WARNING:** Cancer and Reproductive Harm

- [www.P65Warnings.ca.gov](http://www.P65Warnings.ca.gov)



MADE IN THE U.S.A.

visit our website at [www.willoughby-ind.com](http://www.willoughby-ind.com)  
5105 West 78th Street • Indianapolis, IN. 46268  
(317) 875-0830 • Fax: (317) 875-0837 • (800) 428-4065