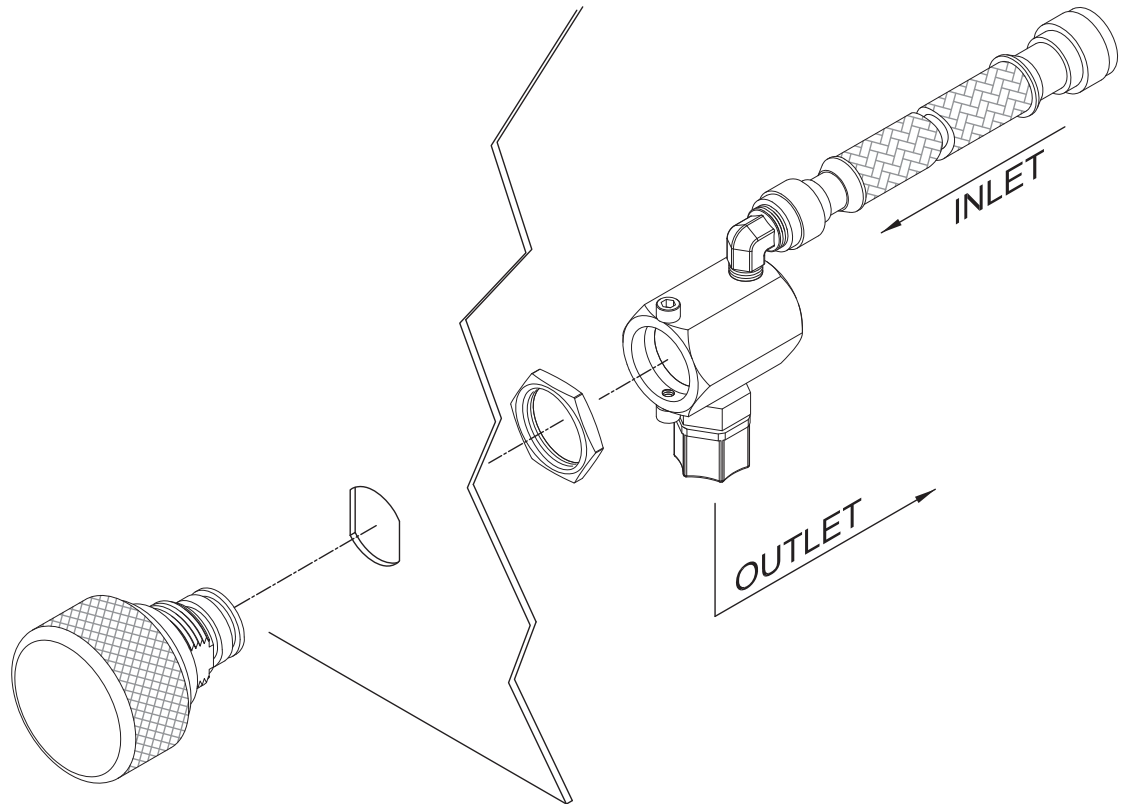


SVC/DVC Compression Valve



Recommended Specifications

Compression valve shall be Willoughby Model: **SVC OR DVC**

The valve assembly shall contain vandal resistant stainless steel knurled knob, secured from the rear only. Stem and valve body components shall be stainless steel and brass. The faucet washer shall be protected from over compression via positive mechanical knob stop. Replaceable faucet washer shall be serviced from the rear without removing the knob or valve stem. Valve inlet and outlet shall be 3/8" brass compression connections. Valve shall mount through standard Willoughby security "double D" panel opening.

Model Number:

- SVC Single Temp. Compression Valve
- DVC Dual Temp. Compression Valves

Handicap Option:

(Adds control handle and extended flex hose)

- HCF Handicap Option



WARNING: Cancer and Reproductive Harm

- www.P65Warnings.ca.gov

visit our website at www.willoughby-ind.com
5105 West 78th Street • Indianapolis, IN. 46268
(317) 875-0830 • Fax: (317) 875-0837 • (800) 428-4065



MADE IN THE U.S.A.