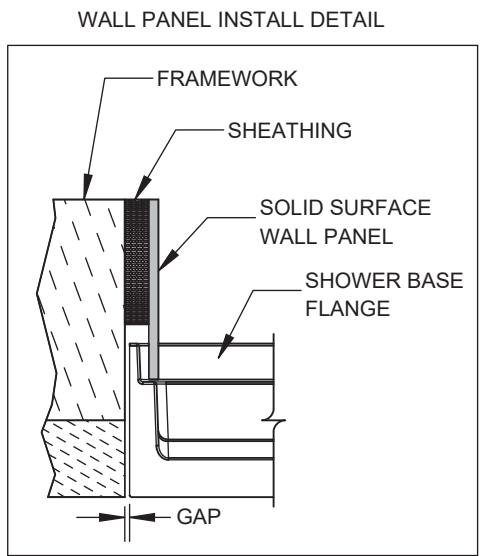
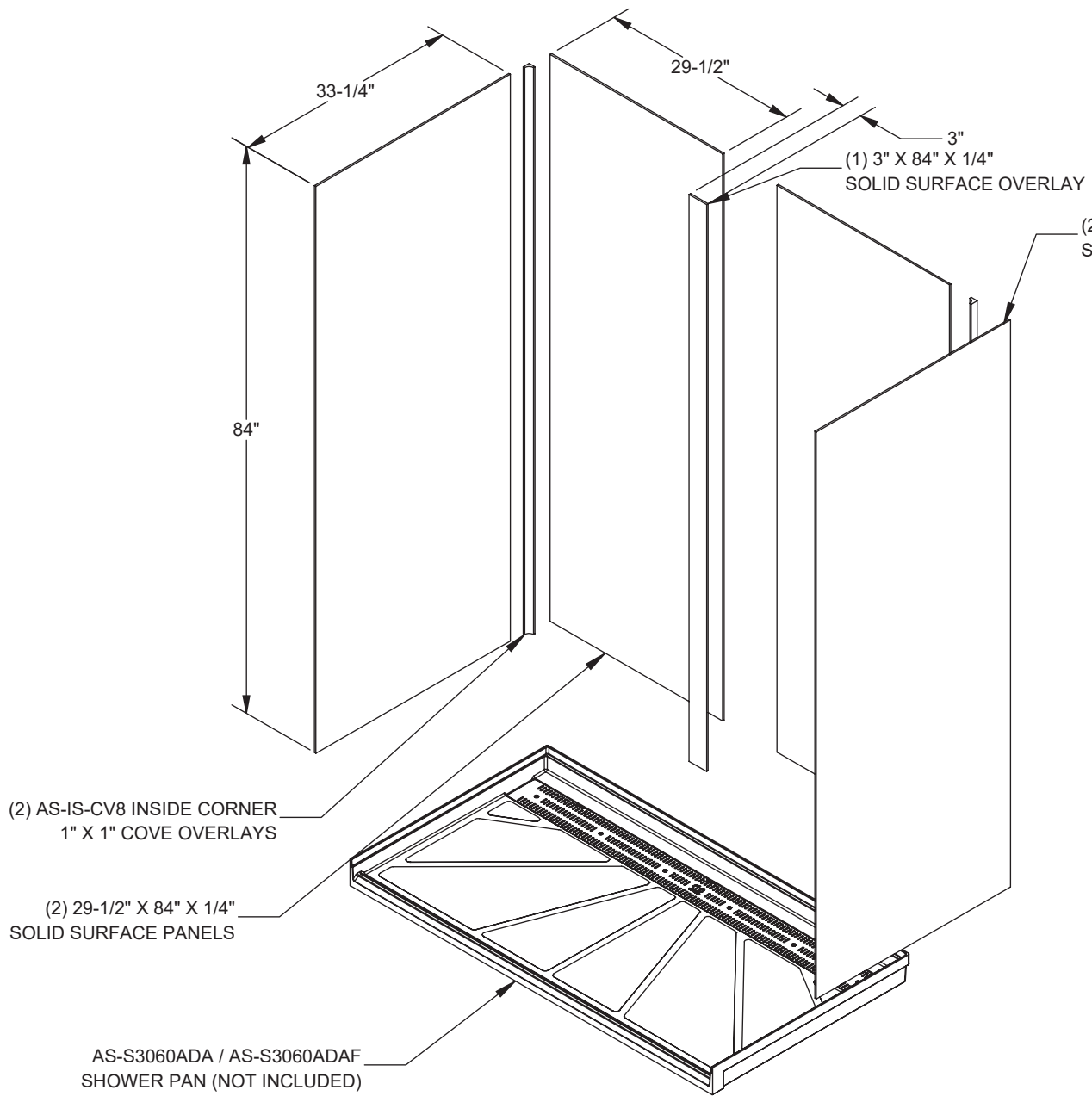



**NOTE: INSTALL BACK PANELS FIRST**



**AQUASURF SOLID SURFACE COLORS:**

- [ ] (BN) BONE
- [ ] (GW) GLACIER WHITE
- [ ] (GG) GREY GRANITE
- [ ] (SS) SANDSTONE
- [ ] (WG) WHITE GRANITE
- [ ] (BG) BLACK GRANITE
- [ ] (NB) NOCTURNAL BLUE
- [ ] (RC) RED CORAL
- [ ] (SG) SEA GREEN

 WILLOUGHBY	<b>Willoughby Industries, Inc.</b> Indianapolis, Indiana		TITLE / DESC.: ASK-S3060ADA-XX SHOWER WALL KIT				PART #: P219009A		
	TOLERANCES EXCEPT AS NOTED		2 PLCS: ±0.03 3 PLCS: ±0.015 FRACTIONS: ±1/4" ANGLE: ±1°	SIZE: A	MATL:	SCALE: 1:20	REF.:	REVISION: A	ORIG.: NAL 6/3/21
							REV.: NAL 6/3/21	SHEET: 1 OF 1	