

CWSMS-ADA Series ADA-Compliant Surface Mounted Wall Shower



Recommended Specifications

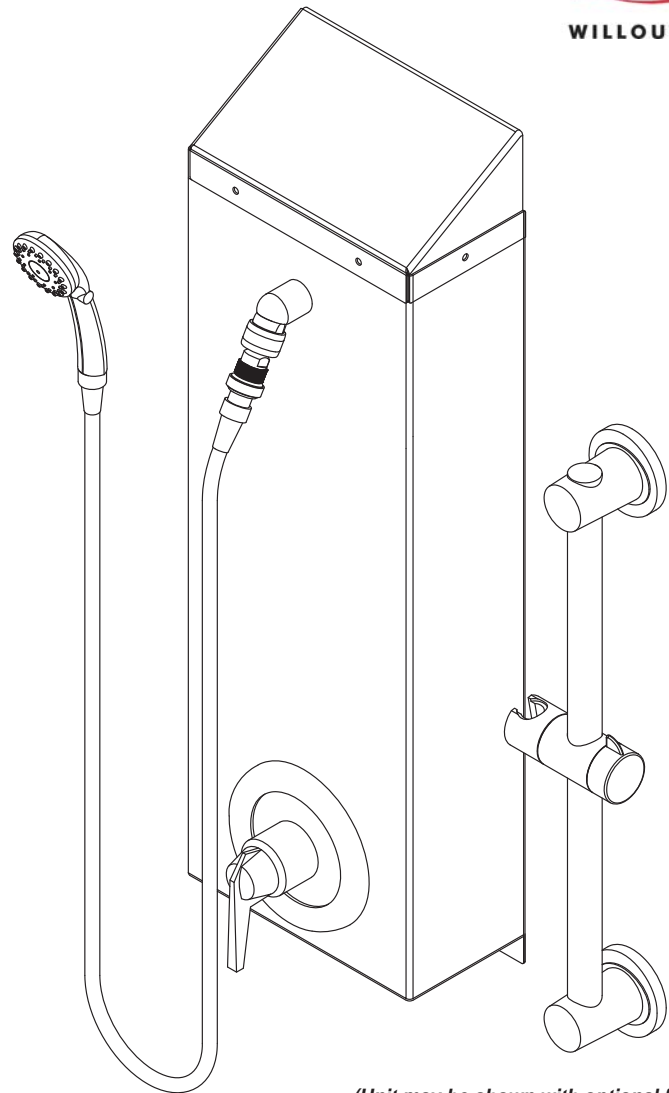
ADA-Compliant, Surface Mounted Wall Shower shall be:
Willoughby Model No. **CWSMS-ADA**
(Select from model number and options list on next page)

Shower panel shall be fabricated from 18 gauge, Type 304 stainless steel with exposed stainless surfaces polished to a #4 satin finish. Sloped top panel and bottom panel are riveted onto the wall shower.

Standard equipment shall include:

- Shower valves (from Valve Selection options list)
- (FX) Hand Held Flexshower head
- Z-clip mounting bracket

Anchoring shall be by Z-clip and bottom flange with anchoring hardware by others. Shower unit shall be factory assembled, tested for proper operation, and ready for installation by a contractor. Unit requires no chase area for installation and maintenance.



(Unit may be shown with optional features)

To specify fixture and accessories, use the Model Number and Options page.
Example: To specify an ADA-Compliant, Surface Mounted Wall Shower with pressure-balancing valve, 2.5 GPM flow rate, standard FX Flexshower head, and 24" Flexshower slide bar
Use the following Willoughby Model Number:
CWSMS-ADA-TPV-2.5-FX-SLB24



WARNING: Cancer and Reproductive Harm

- www.P65Warnings.ca.gov

visit our website at www.willoughby-ind.com
5105 West 78th Street • Indianapolis, IN. 46268
(317) 875-0830 • Fax: (317) 875-0837 • (800) 428-4065



MADE IN THE U.S.A.

MODEL NUMBER AND OPTIONS:

1.) Base Model Number:

CWSMS-ADA ADA-Compliant, Surface Mounted Wall Shower

2.) Valve Selection:

- NV No Valve
- PML1 Single Temp. Pneumatic Metering
- PML2 Dual Temp. Pneumatic Metering
- E1L1 Single Temp. Electronic (Pick Control)*
- E1L2 Dual Temp. Electronic (Pick Control)*
- PBV Pressure-Balancing Mixing Valve
- TPV Temperature/Pressure-Balancing Mixing Valve
- TPLR Ligature-resistant Temperature/Pressure-Balancing Mixing Valve

3.) Push Button Selection:

Pneumatic or Electronic Valves Only:

- PBH Ligature-resistant Pneumatic Push Buttons**
- PZPB Ligature-resistant Piezo Electronic Push Buttons**

4.) Flow Rates:

- 2.5 GPM (Standard)
- 2.0 GPM
- 1.5 GPM

5.) Electronic Control* (Must Use Electronic Push Button):

- WUSC-2200
- WUSC-2400
- Pneutronic

6.) Shower Head Selection:

- FX Hand-held Flexshower Head (w/ quick disconnect, vacuum breaker, and (1) hook)

7.) Other Options:

TF24H Hard-wired Transformer, 110VAC to 24VAC* (Standard)

TF24P Plug-in Transformer, 110VAC to 24VAC*

TMV Inline Thermostatic Mixing Valve

HL Hi-Lo (2 Hooks For Flexshower, Wall Mounted)

SLB24 24" Adjustable Slide Bar (for Flexshower)

PS Pipe Shroud (Specify Length): _____
(Pipe Shroud option changes Riveted Sloped Top to Flat Top)

- Other _____
- Other _____

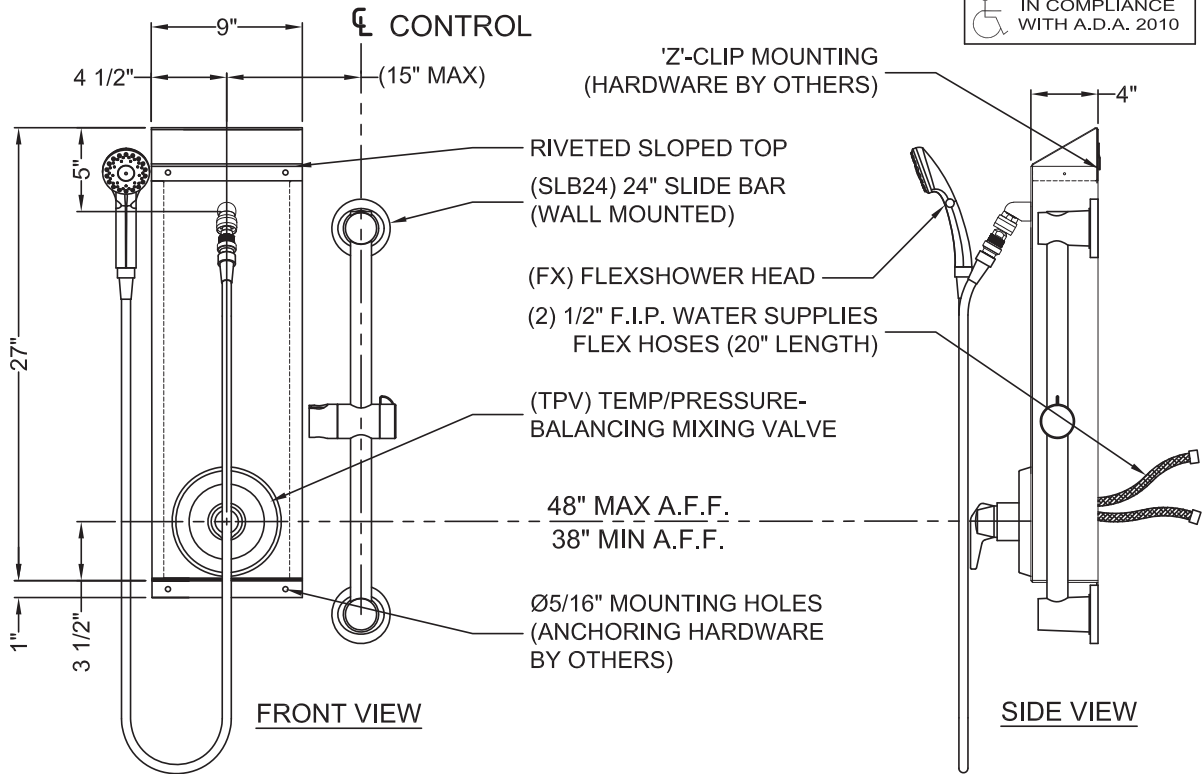
*(Req. 110V power through ground fault interrupter (GFCI) receptacle / breaker)

**LIGATURE-RESISTANT DISCLAIMER

This product is designed to minimize ligature points. While every effort has been made to reduce the possibility of ligature points, this product does not eliminate all risks. Ligature-Resistant products by Willoughby Industries are to be used in conjunction with, not as a replacement for, trained professionals.

Approved For Manufacturing By: _____ Date: _____ Company: _____
Wall Thickness: _____ Wall Type: _____

VERIFY ALL DIMENSIONS WITH FACTORY PRIOR TO ROUGH-IN
WILLOUGHBY RESERVES THE RIGHT TO MAKE CHANGES IN DESIGN AND DIMENSIONS WITHOUT FORMAL NOTICE AND WITHOUT INCURRING OBLIGATION.



visit our website at www.willoughby-ind.com
5105 West 78th Street • Indianapolis, IN. 46268
(317) 875-0830 • Fax: (317) 875-0837 • (800) 428-4065



MADE IN THE U.S.A.