

WBIS-ADA Series ADA-Compliant Rear Mounted Built-In Shower



Recommended Specifications

ADA-Compliant, Rear Mounted Built-In Shower shall be:
Willoughby Model No. **WBIS-ADA**
(Select from model number and options list on next page)

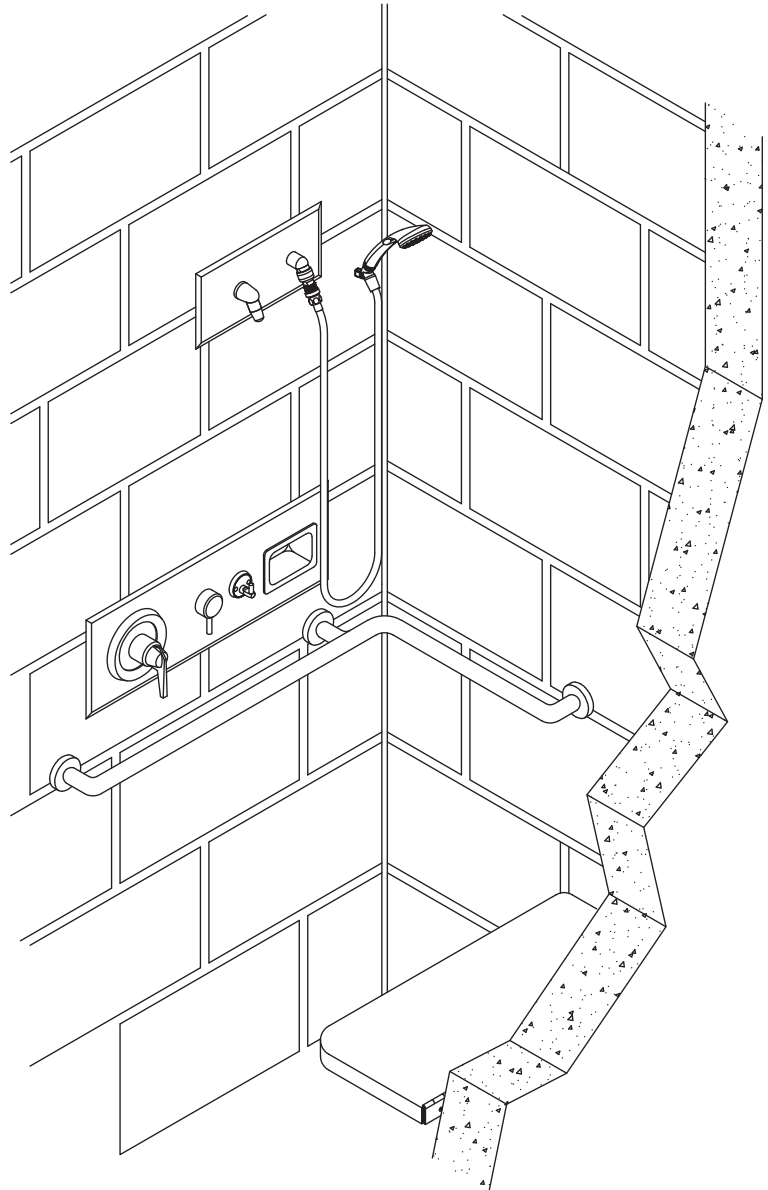
Shower head and valve push button face plates shall be fabricated from 14 gauge, Type 304 stainless steel with exposed surfaces polished to a #4 satin finish.

Standard equipment shall include:

- Shower valves (from Valve Selection options list)
- Shower heads (from Shower Head Selection options list)

Anchoring of each component shall be by standard 4-point system: 1/4" threaded rods, nuts and backing bars furnished for walls up to 8" thick. Unit requires chase area for installation and maintenance.

Optional WaterSense Labeled ligature-resistant shower head available (LRSH).



LEFT HAND CONTROL FIXTURE SHOWN
(Unit may be shown with optional features)

To specify fixture and accessories, use the Model Number and Options page.

Example: To specify an ADA-Compliant, Rear Mounted Built-In Shower with left hand controls, temp./pressure-balancing mixing valve, diverter valve, standard 2.5 GPM flow rate, APS adjustable vandal-resistant and FX Flexshower shower heads, S/S folding shower seat (right hand), two wall grab bar, and recessed soap dish

Use the following Willoughby Model Number:
WBIS-ADA-L-TPV-DV-2.5-APS-FX-FSSR-GB3318-RD



WARNING: Cancer and Reproductive Harm

- www.P65Warnings.ca.gov

visit our website at www.willoughby-ind.com
5105 West 78th Street • Indianapolis, IN. 46268
(317) 875-0830 • Fax: (317) 875-0837 • (800) 428-4065



MADE IN THE U.S.A.

MODEL NUMBER AND OPTIONS:

1.) Base Model Number:

- WBIS-ADA ADA-Compliant, Rear Mounted Built-In Shower

2.) Panel Orientation (Must Specify):

- L Left Hand Controls
 R Right Hand Controls

3.) Valve Selection:

- NV No Valve
 PML1 Single Temp. Pneumatic Metering Ⓢ Ⓜ
 PML2 Dual Temp. Pneumatic Metering Ⓢ Ⓜ
 E1L1 Single Temp. Electronic (Pick Control)* Ⓢ Ⓜ
 E1L2 Dual Temp. Electronic (Pick Control)* Ⓢ Ⓜ
 PBV Pressure-Balancing Mixing Valve
 TPV Temperature/Pressure-Balancing Mixing Valve
 TPLR Ligature-resistant Temp/Pressure-balancing Mixing Valve Ⓜ
 SVCL Single Temp. Compression Valve (w/ ADA lever handle)
 DVCL Dual Temp. Compression Valves (w/ ADA lever handle)
 MA2 **Valve Manifold Option (Pneumatic or Electronic Valves Only):**
(See the Manifold Option Page at the end of Catalog Section S5 for further information)

4.) Diverter Valve:

- DV Diverter Valve
 DVLR Ligature-resistant Diverter Valve Ⓜ
 PML1-MA2 Two Single Temp. Pneumatic Metering Valves Ⓜ
(Used to divert water flow to either upper, lower, or both shower heads; for use with Mixing Valve options above)

5.) Push Button Selection:

Pneumatic or Electronic Valves Only:

- PBH Ligature-resistant Pneumatic Push Buttons Ⓢ Ⓜ
 PZPB Ligature-resistant Piezo Electronic Push Buttons* Ⓢ Ⓜ

6.) Flow Rates:

- 2.5 GPM (Standard) 2.0 GPM 1.5 GPM

7.) Electronic Control* (Must Use Electronic Push Button):

- WUSC-2200 WUSC-2400 Pneutronic WMS II**

8.) Shower Head Selection:

- APS Adjustable Vandal-resistant Shower Head
 NPS Non-Adjustable Vandal-resistant Shower Head Ⓢ
 UBJ Universal Ball Joint Shower Head
 LBJ Lockable Ball Joint Shower Head
 CSH Ligature-resistant Shower Head Ⓢ Ⓜ
 LRSB Ligature-resistant Shower Head, WaterSense Labeled Insert (1.5 GPM & 2.0 GPM Flow Rate only) Ⓜ
 FX Hand-held Flexshower Head (w/ quick disconnect, vacuum breaker, and (1) hook)
 LRFH Ligature-resistant Quick Disconnect Hand Held Shower Ⓜ
 2HD Dual Fixed Shower Heads Ⓢ

9.) Optional Shower Seat

- FSS Stainless Steel Folding Shower Seat Ⓢ
 PFSS Padded Stainless Steel Folding Shower Seat
 PHSS Phenolic Folding Shower Seat

10.) Other Options:

- TF24H Hard-wired Transformer, 110VAC to 24VAC* (Standard)
 TF24P Plug-in Transformer, 110VAC to 24VAC*
 TMV Inline Thermostatic Mixing Valve
 HL Hi-Lo (2 Hooks For Flexshower)
 SLB24 24" Adjustable Slide Bar (for Flexshower, Wall Mounted)
 SD Surface Mounted Soap Dish
 RD Recessed Mounted Soap Dish Ⓢ Ⓜ
 Other _____

* (Req. 110V power through ground fault interrupter (GFCI) receptacle / breaker)

** (Req. remote accessible area for mounting)

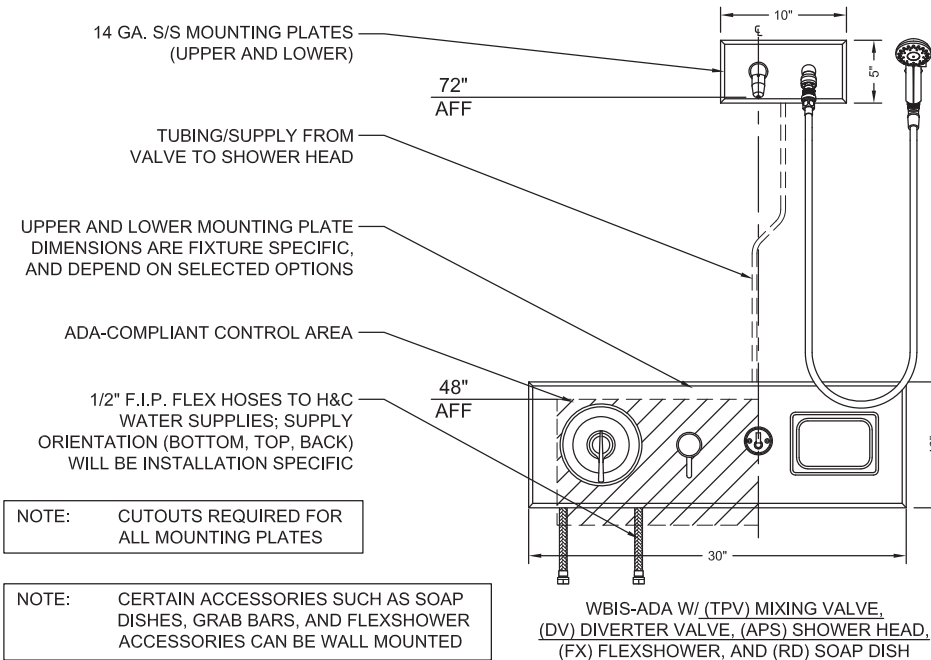
- Ⓢ For security applications
 Ⓜ Ligature-resistant option**

**LIGATURE-RESISTANT DISCLAIMER

This product is designed to minimize ligature points. While every effort has been made to reduce the possibility of ligature points, this product does not eliminate all risks. Ligature-Resistant products by Willoughby Industries are to be used in conjunction with, not as a replacement for, trained professionals.

Approved For Manufacturing By: _____ Date: _____ Company: _____
 Wall Thickness: _____ Wall Type: _____

VERIFY ALL DIMENSIONS WITH FACTORY PRIOR TO ROUGH-IN
 WILLOUGHBY RESERVES THE RIGHT TO MAKE CHANGES IN DESIGN AND DIMENSIONS WITHOUT FORMAL NOTICE AND WITHOUT INCURRING OBLIGATION.



visit our website at www.willoughby-ind.com

5105 West 78th Street • Indianapolis, IN. 46268

(317) 875-0830 • Fax: (317) 875-0837 • (800) 428-4065



MADE IN THE U.S.A.