

WBS-HCA-WH Series Ligature-resistant Wide Housing Handicap Accessible Surface Mounted Behavioral Wall Shower



Recommended Specifications

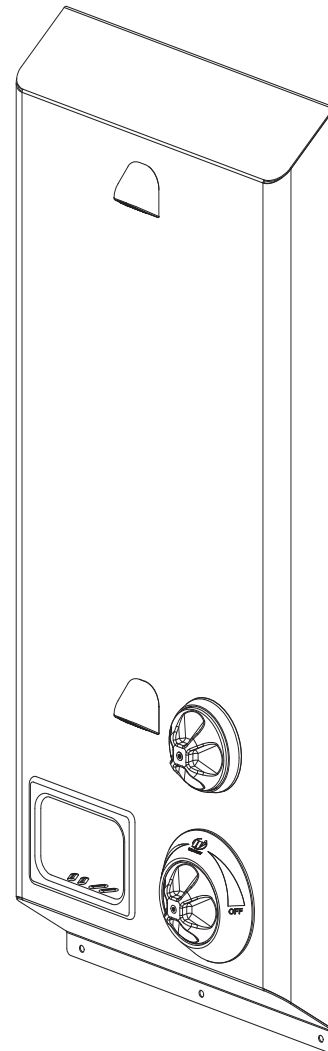
Ligature-resistant Wide Housing Handicap Accessible Surface Mounted Behavioral Wall Shower shall be: Willoughby Model No. **WBS-HCA-WH**
(Select from Model & Options list on next page)

Shower cabinet shall be fabricated from 16 gauge, Type 304 stainless steel, with exposed stainless surfaces polished to a #4 satin finish.

Standard equipment shall include:

- Shower valves and appropriate controls (from Valve Selection options)
- (2) (LRSH) Ligature-resistant shower heads, WaterSense Labeled 2.0 GPM flow rate
- Ligature-resistant sloped cabinet top and bottom
- Z-clip mounting bracket

Anchoring shall be by Z-clip and bottom flange with anchoring hardware by others. Shower unit shall be factory assembled, tested for proper operation, and ready for installation by a contractor. Unit requires no chase area for installation and maintenance.



RIGHT HAND CONTROL FIXTURE SHOWN
(Unit may be shown with optional features)

To specify fixture and accessories, use the Model Number and Options page.

Example: To specify a Ligature-resistant Wide Housing Handicap Accessible Surface Mounted Behavioral Wall Shower with Right Hand Controls, Ligature-resistant Temp/Pressure-Balancing Mixing Valve, Ligature-resistant Diverter Valve, LRSH Ligature-resistant Shower Heads, and Recessed Soap Dish

Use the following Willoughby Model Number:

WBS-HCA-WH-R-TPLR-DVLR-LRSH-2HD-RD

Handicap Accessible:

The WBS-HCA-WH Behavioral Wall Shower will conform to most, but not all, ADA requirements.
(Compliance shall be subject to the requirements of the local code authority based on installation-specific details and is the responsibility of the installer.)



WARNING: Cancer and Reproductive Harm

- www.P65Warnings.ca.gov

visit our website at www.willoughby-ind.com
5105 West 78th Street • Indianapolis, IN. 46268
(317) 875-0830 • Fax: (317) 875-0837 • (800) 428-4065



MADE IN THE U.S.A.

MODEL NUMBER AND OPTIONS:

1.) Base Model Number:

- WBS-HCA-WH Ligature-resistant Wide Housing Handicap Accessible Surface Mounted Behavioral Wall Shower

2.) Panel Orientation (Must Specify):

- L Left Hand Controls
 R Right Hand Controls

3.) Valve Selection:

- NV No Valve
 PML1 Single Temp. Pneumatic Metering
 PML2 Dual Temp. Pneumatic Metering
 E1L1 Single Temp. Electronic (Pick Control)*
 E1L2 Dual Temp. Electronic (Pick Control)*
 TPLR Ligature-resistant Temperature/Pressure-Balancing Mixing Valve
 MA2 **Valve Manifold Option (Pneumatic or Electronic Valves Only):**
(See the Manifold Option Page at the end of Catalog Section C14 for further information)

4.) Diverter Valve:

- DVLR Ligature-resistant Diverter Valve
 PML1-MA2 Two Single Temp. Pneumatic Metering Valves (Used to divert water flow to either upper, lower, or both shower heads; for use with (TPLR) valve only)
 E1L1-MA2 Two Single Temp. Electronic Metering Valves (Used to divert water flow to either upper, lower, or both shower heads; for use with (TPLR) valve only)

5.) Push Button Selection: *Pneumatic or Electronic Valves Only:*

- PBH Ligature-resistant Pneumatic Push Buttons
 PZPB Ligature-resistant Piezo Electronic Push Buttons*

6.) Flow Rates:

- 2.5 GPM 2.0 GPM 1.5 GPM

7.) Electronic Control* (Must Use Electronic Push Button):

- WUSC-2200 WUSC-2400 Pneutronic WMS II

8.) Shower Head and Flow Rate Option:

- LRSH Dual Fixed Ligature-resistant Shower Head, WaterSense Labeled Insert (1.5 GPM & 2.0 GPM Flow Rate only) (Standard)
 CSH Dual Fixed Ligature-resistant Shower Heads
 LRFQ Ligature-resistant Quick Disconnect Hand Held Shower
 2HD Dual Fixed Shower Heads (Standard)

9.) Other Options:

- TF24H Hard-wired Transformer, 110VAC to 24VAC*
 TF24P Plug-in Transformer, 110VAC to 24VAC*
 TMV Inline Thermostatic Mixing Valve
 RD Recessed Mounted Soap Dish (Cabinet Mounted)
 RSD2 Recessed Soap Dish (In-Wall Mounted)
 PS Pipe Shroud (Wall Mounted, Specify Length): _____
 (Pipe Shroud option changes Sloped Top to Flat Top)
 Other _____
 Other _____

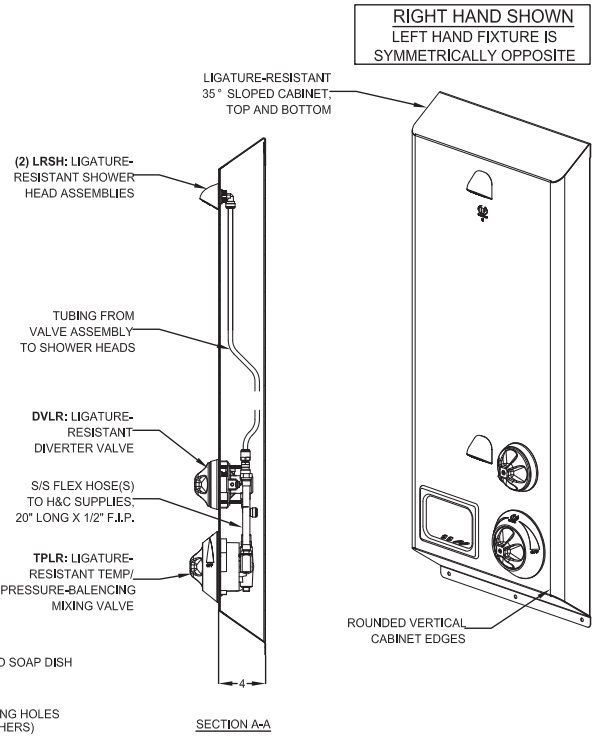
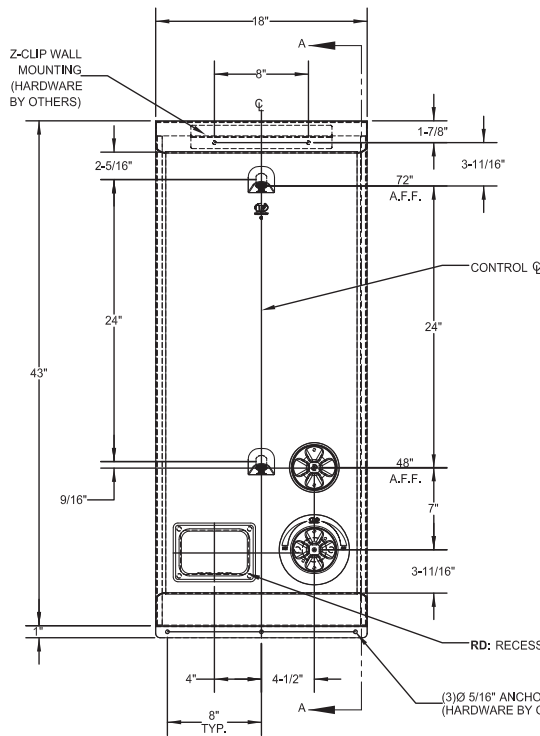
* (Req. 110VAC power through ground fault interrupter (GFCI) receptacle / breaker)

LIGATURE-RESISTANT DISCLAIMER

This product is designed to minimize ligature points. While every effort has been made to reduce the possibility of ligature points, this product does not eliminate all risks. Ligature-Resistant products by Willoughby Industries are to be used in conjunction with, not as a replacement for, trained professionals.

Approved For Manufacturing By: _____ Date: _____ Company: _____
 Wall Thickness: _____ Wall Type: _____

VERIFY ALL DIMENSIONS WITH FACTORY PRIOR TO ROUGH-IN
 WILLOUGHBY RESERVES THE RIGHT TO MAKE CHANGES IN DESIGN AND DIMENSIONS WITHOUT FORMAL NOTICE AND WITHOUT INCURRING OBLIGATION.



visit our website at www.willoughby-ind.com
 5105 West 78th Street • Indianapolis, IN. 46268
 (317) 875-0830 • Fax: (317) 875-0837 • (800) 428-4065



MADE IN THE U.S.A.