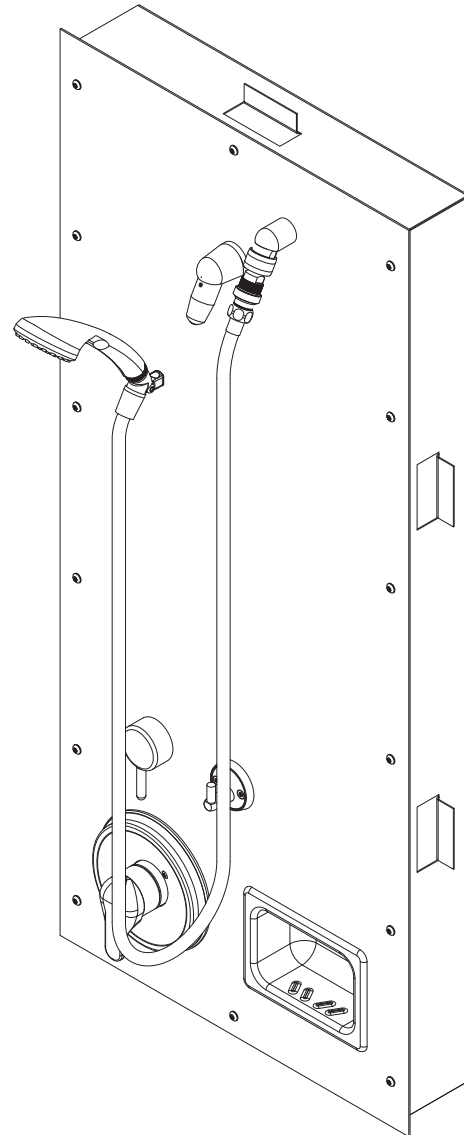


## WRS-FA-ADA-WH Series Wide Housing ADA-Compliant Front Mounted Recessed Shower Panel



### Recommended Specifications

Wide Housing, ADA-Compliant, Front Mounted, Recessed Shower Panel shall be:  
Willoughby Model No. **WRS-FA-ADA-WH**  
(Select from model number and options list on next page)

Shower panel shall be fabricated from 14 gauge, Type 304 stainless steel with exposed stainless surfaces polished to a #4 satin finish. In-wall mounting frame shall be fabricated from 18 gauge galvanized steel.

Standard equipment shall include:  
- Shower valves (from Valve Selection options list)  
- Shower heads (from Shower Head Selection options list)  
- In-wall mounting frame

Shower panel shall attach to in-wall mounting frame with vandal resistant stainless steel screws. Shower unit shall be factory assembled, and ready for installation by a contractor. Unit requires no chase area for installation and maintenance.

Optional WaterSense Labeled ligature-resistant shower head available (LRSH).

**LEFT HAND CONTROL FIXTURE SHOWN**  
*(Unit may be shown with optional features)*

To specify fixture and accessories, use the Model Number and Options page.

Example: To specify a Wide Housing, ADA-Compliant, Front Mounted, Recessed Shower Panel with left hand controls, pressure-balancing mixing valve, diverter valve, 2.5 GPM flow rate, APS adjustable vandal-resistant and FX Flexshower shower heads, and recessed soap dish

Use the following Willoughby Model Number:  
**WRS-FA-ADA-WH-L-PBV-DV-2.5-APS-FX-RD**



**WARNING:** Cancer and Reproductive Harm

- [www.P65Warnings.ca.gov](http://www.P65Warnings.ca.gov)



MADE IN THE U.S.A.

visit our website at [www.willoughby-ind.com](http://www.willoughby-ind.com)  
5105 West 78th Street • Indianapolis, IN. 46268  
(317) 875-0830 • Fax: (317) 875-0837 • (800) 428-4065

# MODEL NUMBER AND OPTIONS:

## 1.) Base Model Number:

- WRS-FA-ADA-WH Wide Housing, ADA-Compliant, Front Mounted, Recessed Shower Panel

## 2.) Panel Orientation (Must Specify):

- L Left Hand Controls  
 R Right Hand Controls

## 3.) Valve Selection:

- NV No Valve  
 PML1 Single Temp. Pneumatic Metering Ⓢ Ⓜ  
 PML2 Dual Temp. Pneumatic Metering Ⓢ Ⓜ  
 E1L1 Single Temp. Electronic (w/ Pick Control)\* Ⓢ Ⓜ  
 E1L2 Dual Temp. Electronic (w/ Pick Control)\* Ⓢ Ⓜ  
 PBV Pressure-Balancing Mixing Valve  
 TPV Temperature/Pressure-Balancing Mixing Valve  
 TPLR Ligature-resistant Temp/Pressure-balancing Mixing Valve Ⓜ  
 SVCL Single Temp. Compression Valve (w/ ADA lever handle)  
 DVCL Dual Temp. Compression Valves (w/ ADA lever handle)  
 MA2 **Valve Manifold Option** (Pneumatic or Electronic Valves Only):  
 (See the Manifold Option Page at the end of Catalog Section S5 for further information)

## 4.) Diverter Valve:

- DV Diverter Valve  
 DVLR Ligature-resistant Diverter Valve Ⓜ  
 PML1-MA2 Two Single Temp. Pneumatic Metering Valves Ⓜ  
 (Used to divert water flow to either upper, lower, or both shower heads; for use with Mixing Valve options above)

## 5.) Push Button Selection:

*Pneumatic or Electronic Valves Only:*

- PBH Ligature-resistant Pneumatic Push Buttons Ⓢ Ⓜ  
 PZPB Ligature-resistant Piezo Electronic Push Buttons\* Ⓢ Ⓜ

## 6.) Flow Rates:

- 2.5 GPM (Standard)     2.0 GPM     1.5 GPM

## 7.) Electronic Control\* (Must Use Electronic Push Button):

- WUSC-2200     WUSC-2400     Pneutronic     WMS II

## 8.) Shower Head Selection:

- APS Adjustable Vandal-resistant Shower Head  
 NPS Non-Adjustable Vandal-resistant Shower Head Ⓢ  
 UBJ Universal Ball Joint Shower Head  
 LBJ Lockable Ball Joint Shower Head  
 CSH Ligature-resistant Shower Head Ⓢ Ⓜ  
 FX Hand-held Flexshower Head (w/ quick disconnect, vacuum breaker, and (1) hook)  
 LRSH Ligature-resistant Shower Head, WaterSense Labeled, 2.0 GPM Max Flow Rate Ⓜ  
 2HD Dual Fixed Shower Heads (replaces (FX) Flexshower head w/ second of the selected fixed Shower Head) Ⓢ

## 9.) Optional Shower Seat:

- FSSL Left Hand Stainless Steel Folding Shower Seat Ⓢ  
 FSSR Right Hand Stainless Steel Folding Shower Seat Ⓢ  
 PFSSL Left Hand Padded Stainless Steel Folding Shower Seat  
 PFSSR Right Hand Padded Stainless Steel Folding Shower Seat  
 PHSSL Left Hand Phenolic Folding Shower Seat  
 PHSSR Right Hand Phenolic Folding Shower Seat

## 10.) Other Options:

- TF24H Hard-wired Transformer, 110VAC to 24VAC\* (Standard)  
 TF24P Plug-in Transformer, 110VAC to 24VAC\*  
 TMV Inline Thermostatic Mixing Valve  
 HL Hi-Lo (2 Hooks For Flexshower)  
 SLB24 24" Adjustable Slide Bar (for Flexshower)  
 SD Surface Mounted Soap Dish  
 RD Recessed Mounted Soap Dish Ⓢ Ⓜ  
 Other \_\_\_\_\_  
 Other \_\_\_\_\_

\* (Req. 110V power through ground fault interrupter (GFCI) receptacle / breaker)

Ⓢ For security applications

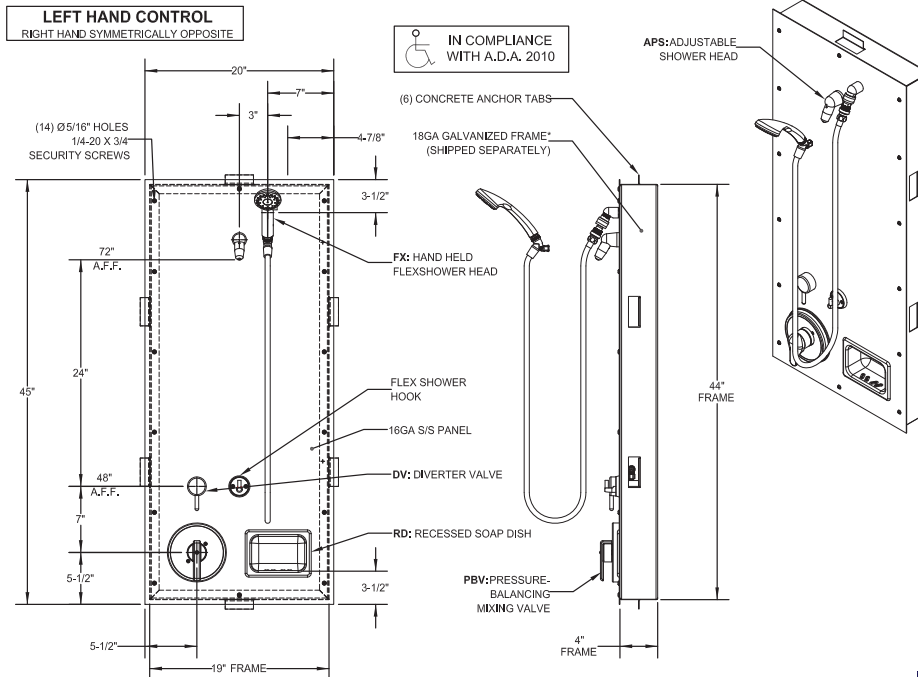
Ⓜ Ligature-resistant option\*\*

## \*\*LIGATURE-RESISTANT DISCLAIMER

This product is designed to minimize ligature points. While every effort has been made to reduce the possibility of ligature points, this product does not eliminate all risks. Ligature-Resistant products by Willoughby Industries are to be used in conjunction with, not as a replacement for, trained professionals.

Approved For Manufacturing By: \_\_\_\_\_ Date: \_\_\_\_\_ Company: \_\_\_\_\_  
 Wall Thickness: \_\_\_\_\_ Wall Type: \_\_\_\_\_

**VERIFY ALL DIMENSIONS WITH FACTORY PRIOR TO ROUGH-IN**  
 WILLOUGHBY RESERVES THE RIGHT TO MAKE CHANGES IN DESIGN AND DIMENSIONS WITHOUT FORMAL NOTICE AND WITHOUT INCURRING OBLIGATION.



visit our website at [www.willoughby-ind.com](http://www.willoughby-ind.com)

5105 West 78th Street • Indianapolis, IN. 46268

(317) 875-0830 • Fax: (317) 875-0837 • (800) 428-4065



MADE IN THE U.S.A.