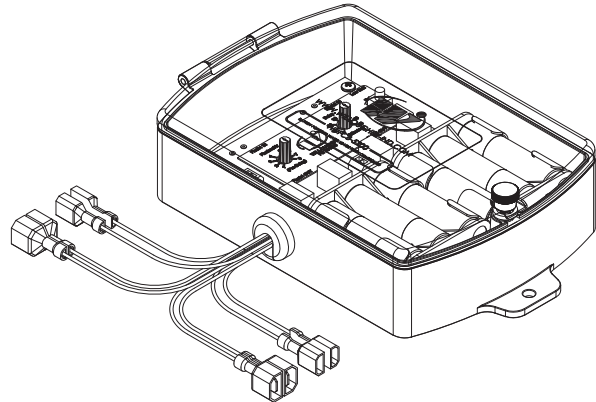


## WUFCB-5200 Battery Operated Water Usage Flush Controller



### Recommended Specifications

Battery Operated Water Usage Flush Controller shall be Willoughby Model: **WUFCB-5200**

Flush Controller is a stand-alone water resistant electronic module designed to control the operation of an electronic push button toilet flush valve on a toilet fixture from the utility chase.

Each Flush Controller shall be capable of controlling up to 2 low-voltage solenoid flush valves.

The Battery Operated Electronic Valve Controller assembly uses 9V DC battery power (12) AA batteries (supplied by manufacturer) to operate a latching valve coil solenoid controlled by an electronic push button. Mounting of controller is to be by others.

### Standard Features

Each valve activation shall be controlled by a vandal-resistant, stainless steel push button (sold separately). Each push button shall require less than 5 lbs. of force to activate. The vandal-resistant electronic push button shall be non-removable from the front of the fixture.

- (1 to 8 flushes, within 60 minute time period, before delay)  
A preset re-initiate delay feature shall be provided to control amount of fixture toilet use within a 60 minute time period. Once a fixture flush valve has been activated the maximum number of flushes within a 60 minute time period, flushing function will be locked-out for the Pre-delay time period between 0 to 60 minutes.
- (0 sec. to 60 min. flush delay) Standard parallel pre-initiate delay feature shall insert a minimum time delay of 0 seconds between toilet flushes, with a maximum time delay of 60 minutes.

All inputs, and outputs, shall have corresponding LED diagnostic lights for testing and monitoring. A reset push button on the controller will enable maintenance personnel to reset functionality from the chase. Hinged door allows for easy maintenance access.



**WARNING:** Cancer and Reproductive Harm

- [www.P65Warnings.ca.gov](http://www.P65Warnings.ca.gov)

visit our website at [www.willoughby-ind.com](http://www.willoughby-ind.com)  
5105 West 78th Street • Indianapolis, IN. 46268  
(317) 875-0830 • Fax: (317) 875-0837 • (800) 428-4065



MADE IN THE U.S.A.

# MODEL NUMBER AND OPTIONS:

## 1.) Control System:

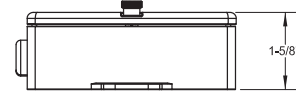
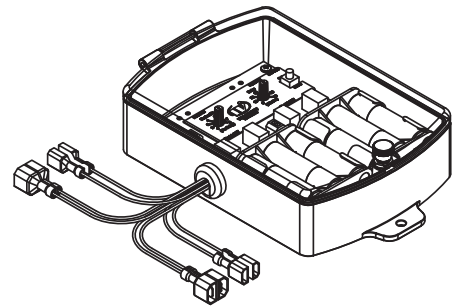
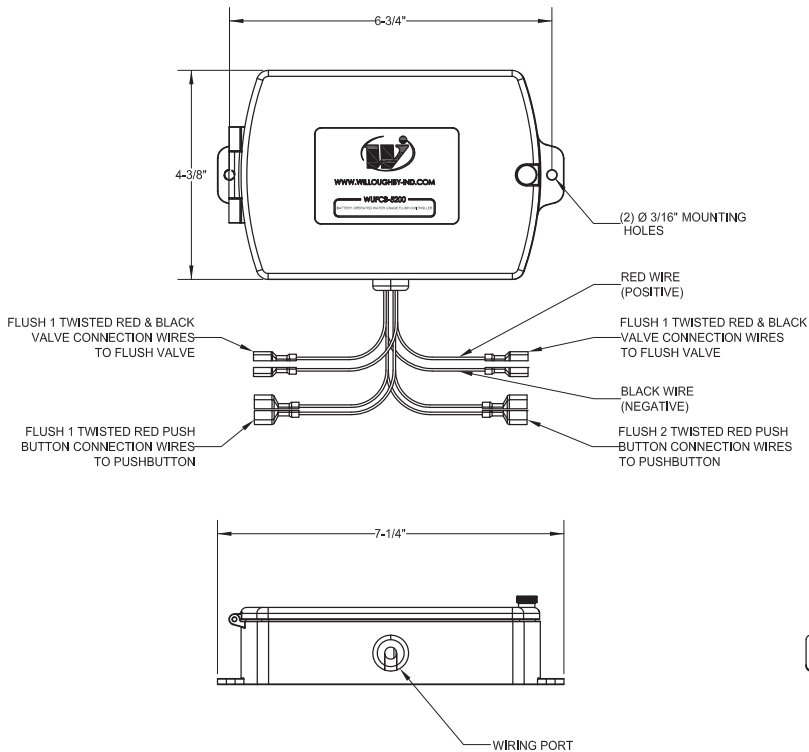
- WUFCB-5200 Battery Operated Water Usage Flush Controller  
(Contains Controller and all necessary cabling for installation, P/N: WUFCB-KIT)

## 2.) Other Options:

- Other \_\_\_\_\_
- Other \_\_\_\_\_

Approved For Manufacturing By: \_\_\_\_\_ Date: \_\_\_\_\_ Company: \_\_\_\_\_  
 Wall Thickness: \_\_\_\_\_ Wall Type: \_\_\_\_\_

NOTE: MOUNTING HARDWARE BY OTHERS



VERIFY ALL DIMENSIONS WITH FACTORY PRIOR TO ROUGH-IN  
 WILLOUGHBY RESERVES THE RIGHT TO MAKE CHANGES IN DESIGN AND  
 DIMENSIONS WITHOUT FORMAL NOTICE AND WITHOUT INCURRING OBLIGATION.

visit our website at [www.willoughby-ind.com](http://www.willoughby-ind.com)  
 5105 West 78th Street • Indianapolis, IN. 46268  
 (317) 875-0830 • Fax: (317) 875-0837 • (800) 428-4065



MADE IN THE U.S.A.