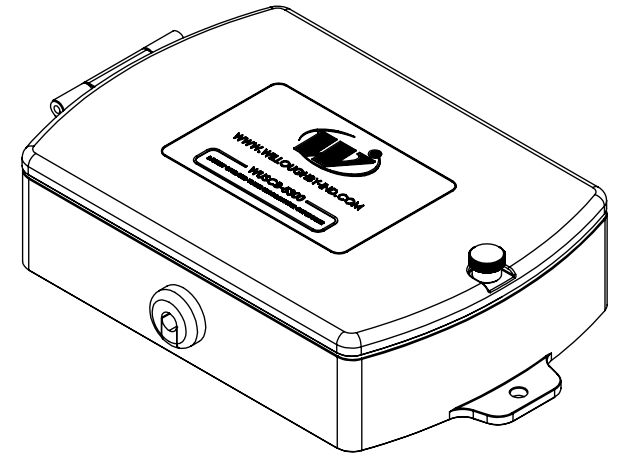
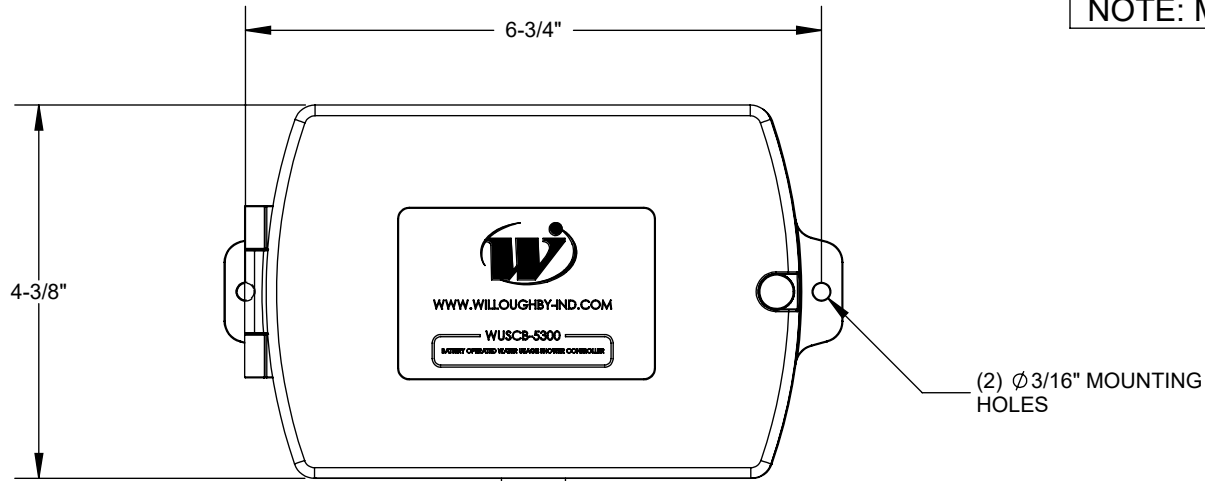


NOTE: MOUNTING HARDWARE BY OTHERS



SHOWER 1 TWISTED RED & BLACK VALVE CONNECTION WIRES TO SHOWER VALVE

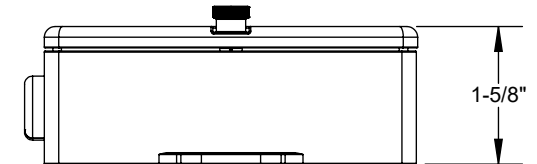
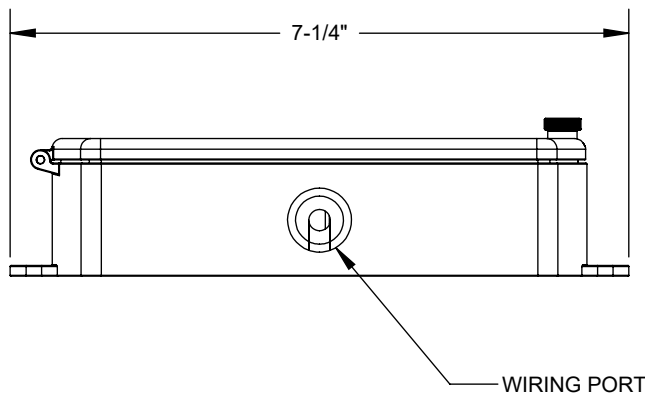
RED WIRE (POSITIVE)


SHOWER 2 TWISTED RED & BLACK CONNECTION WIRES TO SHOWER VALVE

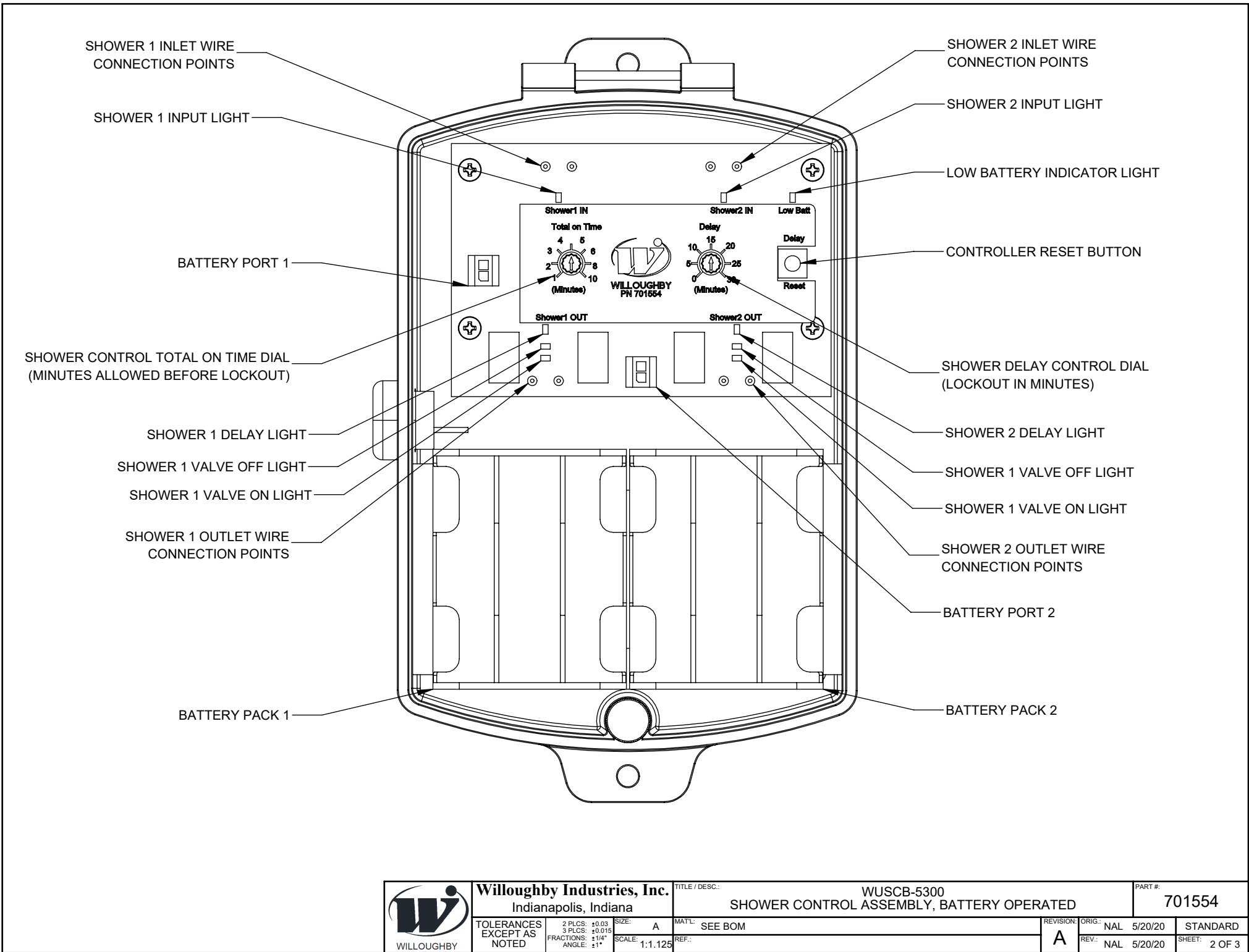
BLACK WIRE (NEGATIVE)


SHOWER 1 TWISTED RED CONNECTION WIRES TO PUSH BUTTON

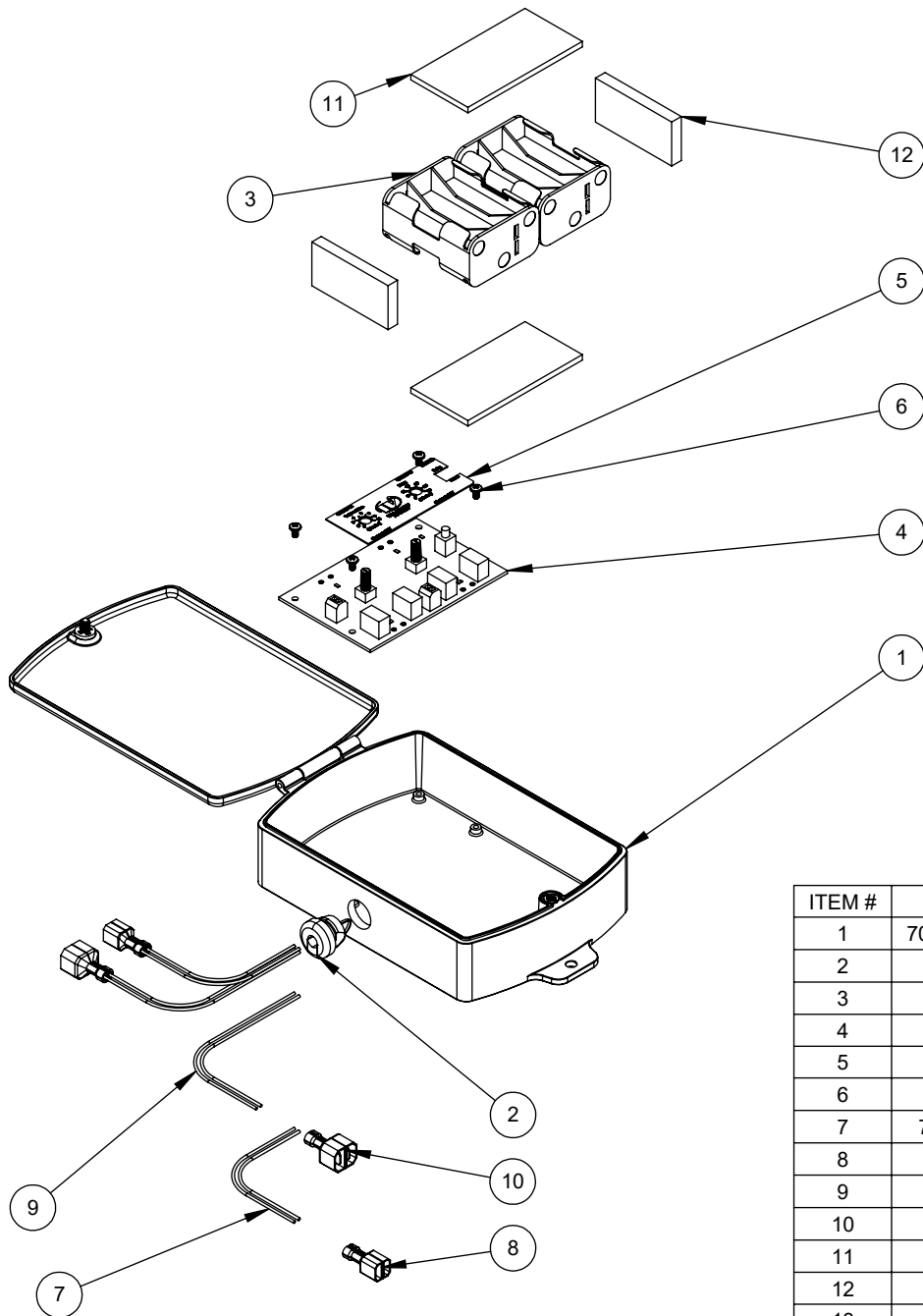
SHOWER 2 TWISTED RED CONNECTION WIRES TO PUSH BUTTON



 WILLOUGHBY	<b>Willoughby Industries, Inc.</b> Indianapolis, Indiana		TITLE / DESC.: WUSCB-5300 SHOWER CONTROL ASSEMBLY, BATTERY OPERATED		PART #: 701554	
	TOLERANCES EXCEPT AS NOTED	2 PLCS: ±0.03 3 PLCS: ±0.015 FRACTIONS: ±1/4" ANGLE: ±1°	SIZE: A	MATL: SEE BOM	REVISION: A	ORIG.: NAL 5/20/20 REV.: NAL 5/20/20




 WILLOUGHBY	<b>Willoughby Industries, Inc.</b> Indianapolis, Indiana		TITLE / DESC.: WUSCB-5300 SHOWER CONTROL ASSEMBLY, BATTERY OPERATED		PART #: 701554		
	TOLERANCES EXCEPT AS NOTED		2 PLCS: ±0.03 3 PLCS: ±0.015 FRACTIONS: ±1/4" ANGLE: ±1°	SIZE: A SCALE: 1:1.125	MATL: SEE BOM REF.:		REVISION: A ORIG.: NAL 5/20/20 REV.: NAL 5/20/20



NOTE: #13, & 14 IS NOT SHOWN

ITEM #	PART #	DESCRIPTION	QTY.
1	701550A-NM	ENCLOSURE, CVC - NO MACHINING	1
2	701524	BUSHING, STRAIN RELIEF CVC2	1
3	701545	BATTERY HOLDER, FLUSH CONTROLLER	2
4	701541	PCB ASSEMBLY, BATTERY FLUSH CONTROL	1
5	701559	LABEL, WUSCB, BO SHOWER CONTROL	1
6	980716	SCREW, OVAL HEAD PHILLIPS, 4-40 THREAD, 3/16" LONG, 18-8 SS	4
7	701330-02	WIRE, 22AWG BLACK/RED TWISTED	2
8	600830	CONNECTOR, 1/4"FEM, 18-22 AWG, FI	4
9	701330-2	WIRE, 22AWG PAIR, RED, STRANDED, TWISTED	2
10	701077	CONNECTOR, 1/4" TAB, 18-22AWG, FI	4
11	701544	FOAM STRIP, 1-1/2" X 1/8" THICK	2
12	701543	FOAM STRIP, 1" X 1/4" THICK	2
13	701547	WIRE TIE LABEL	2
14	701560	DECAL, WUSCB, BO SHOWER CONTROL	1

 <b>Willoughby Industries, Inc.</b> Indianapolis, Indiana	TITLE / DESC.: WUSCB-5300 SHOWER CONTROL ASSEMBLY, BATTERY OPERATED		PART #: 701554	
	TOLERANCES EXCEPT AS NOTED	2 PLCS: ±0.03 3 PLCS: ±0.015 FRACTIONS: ±1/4" ANGLE: ±1°	SIZE: A SCALE: 1:3.5	MATL: SEE BOM REF.: