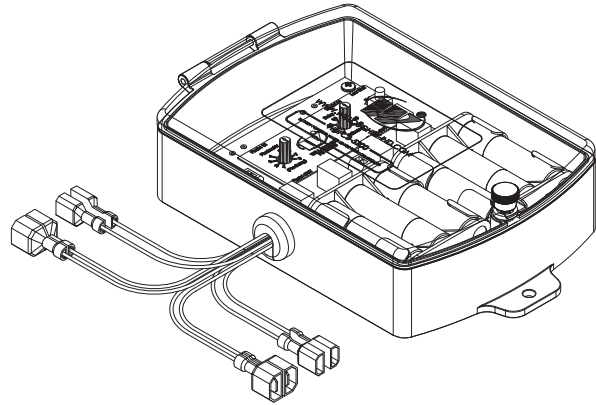


## WUSCB-5300 Battery Operated Water Usage Shower Controller



### Recommended Specifications

Battery Operated Water Usage Shower Controller shall be Willoughby Model: **WUSCB-5300**

Shower Controller is a stand-alone water resistant electronic module designed to control the operation of an electronic push button shower valve on a shower fixture from the utility chase.

Each Shower Controller shall be capable of controlling up to 2 low-voltage solenoid shower valves.

The Battery Operated Electronic Valve Controller assembly uses 9V DC battery power (12) AA batteries (supplied by manufacturer) to operate a latching valve coil solenoid controlled by an electronic push button. Mounting of controller is to be by others.

### Standard Features

Each valve activation shall be controlled by a vandal-resistant, stainless steel push button (sold separately). Each push button shall require less than 5 lbs. of force to activate. The vandal-resistant electronic push button shall be non-removable from the front of the fixture.

- (1 to 10 minutes Total On Time) Total On Time dial shall control the total time the electronic shower valves can run before activating the preset re-initiate delay feature. This shall limit the amount of fixture use to a preset threshold.
- (0 to 30 minute Delay) Delay dial shall control the lock-out time period. Once the fixture use Total On Time threshold has been reached, shower function will be locked-out for a time period between 0 to 30 minutes.

All inputs, and outputs, shall have corresponding LED diagnostic lights for testing and monitoring. A reset push button on the controller will enable maintenance personnel to reset functionality from the chase. Hinged door allows for easy maintenance access.



**WARNING:** Cancer and Reproductive Harm

- [www.P65Warnings.ca.gov](http://www.P65Warnings.ca.gov)

visit our website at [www.willoughby-ind.com](http://www.willoughby-ind.com)  
5105 West 78th Street • Indianapolis, IN. 46268  
(317) 875-0830 • Fax: (317) 875-0837 • (800) 428-4065



MADE IN THE U.S.A.

# MODEL NUMBER AND OPTIONS:

**1.) Control System:**

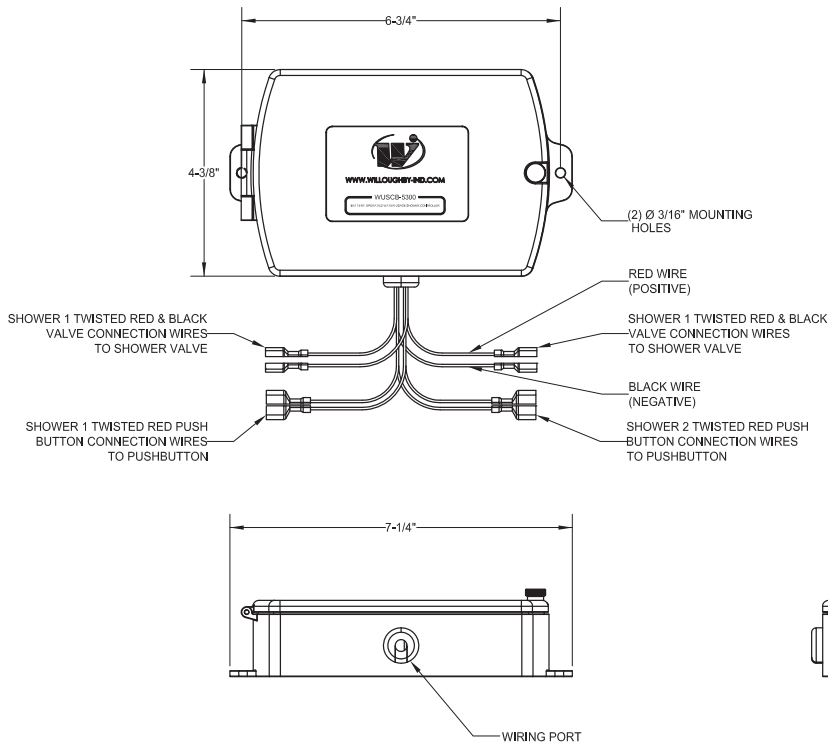
- WUSCB-5300 Battery Operated Water Usage Shower Controller  
(Contains Controller and all necessary cabling for installation, P/N: WUSCB-KIT)

**2.) Other Options:**

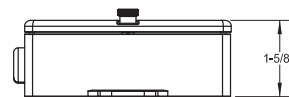
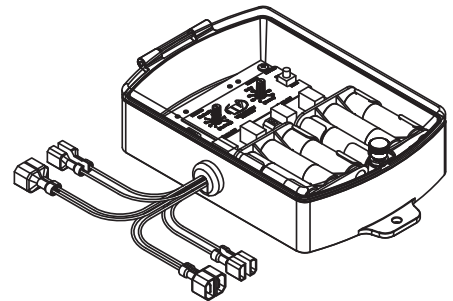
- Other \_\_\_\_\_
- Other \_\_\_\_\_

Approved For Manufacturing By: \_\_\_\_\_ Date: \_\_\_\_\_ Company: \_\_\_\_\_  
 Wall Thickness: \_\_\_\_\_ Wall Type: \_\_\_\_\_

**VERIFY ALL DIMENSIONS WITH FACTORY PRIOR TO ROUGH-IN**  
 WILLOUGHBY RESERVES THE RIGHT TO MAKE CHANGES IN DESIGN AND DIMENSIONS WITHOUT FORMAL NOTICE AND WITHOUT INCURRING OBLIGATION.



NOTE: MOUNTING HARDWARE BY OTHERS



visit our website at [www.willoughby-ind.com](http://www.willoughby-ind.com)  
 5105 West 78th Street • Indianapolis, IN. 46268  
 (317) 875-0830 • Fax: (317) 875-0837 • (800) 428-4065



MADE IN THE U.S.A.