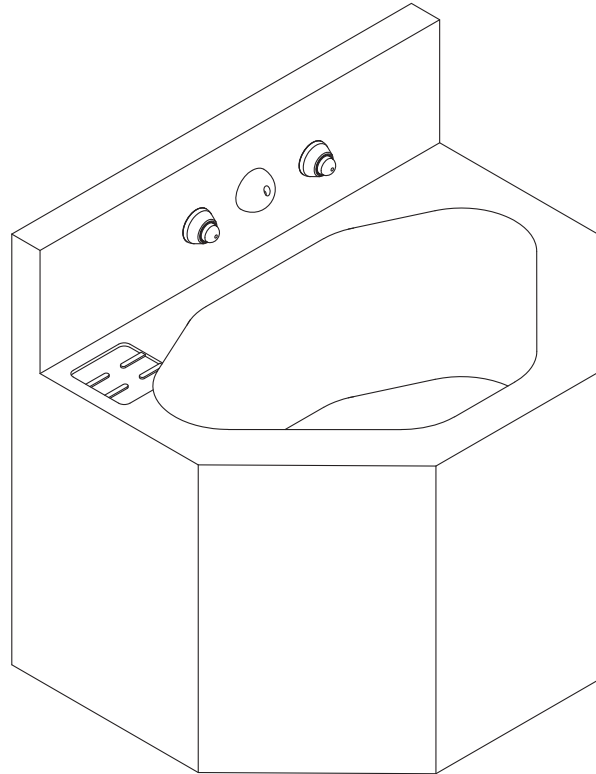


HS-1013-46-15-RPF Stainless Steel Replacement 15" Wide Rear Mounted Lavatory



(Unit may be shown with optional features)

Recommended Specifications

Stainless Steel, Replacement, 15" Wide, Rear Mounted, Lavatory shall be: Willoughby Model No. **HS-1013-46-15-RPF**

Fixture shall be fabricated from 14 GA., Type 304 stainless steel. The construction shall be all welded, with exposed surfaces polished to a #3 satin finish.

Standard lavatory shall include:

- Multi-sided bowl, 12-3/4" x 8-1/4" x 5" deep
- Stainless steel penal bubbler/filler
- Fast drain with air vent
- Elbow waste (1-1/2" F.I.P.)
- Self-draining soap dish

Cabinet interior shall be sound deadened with fire-resistant material.

Anchoring shall be by standard 4-point system: threaded rods, nuts and washers shall be furnished for walls up to 8" thick. Unit shall require chase area for installation and maintenance.



WARNING: Cancer and Reproductive Harm

- www.P65Warnings.ca.gov

visit our website at www.willoughby-ind.com
5105 West 78th Street • Indianapolis, IN. 46268
(317) 875-0830 • Fax: (317) 875-0837 • (800) 428-4065



MADE IN THE U.S.A.

MODEL NUMBER AND OPTIONS:

1.) Base Model Number:

- HS-1013-46-15-RPF Stainless Steel, Replacement, 15" Wide,
Rear Mounted, Lavatory

2.) Bubbler or Spout Selection:

- BC Code Bubbler/Filler
 BPH Ligature-resistant Bubbler/Filler**
 FLH Ligature-resistant Lavatory Filler**

3.) Lavatory Valve Selection:

- NV No Valve (Select Hole Punching if needed)
 PSL1 Single Temp. Pneumatic Non-metering
 PSL2 Dual Temp. Pneumatic Non-metering
 PML1 Single Temp. Pneumatic Metering
 PML2 Dual Temp. Pneumatic Metering
 E1L1 Single Temp. Electronic (pick control)*
 E1L2 Dual Temp. Electronic (pick control)*

Valve Manifold Options:

Pneumatic or Electronic Only:

- MA2 MA3 MA4

4.) Lavatory Valve Actuation:

- PBH Ligature-resistant Push Buttons**
 PZPB Ligature-resistant Piezo Piezo Push Buttons*/**

5.) Electronic Controls* (Must Use Electronic Push Button):

- WUCC-3010 Pneutronic WMSII
(The WUCC-3010 Control can be used to pair a Sink with a Toilet)

6.) Push Button Hole Punching:

If Less-Lavatory Valve, please specify push button hole sizes and locations on fixture backplash:
SP: _____

7.) Lavatory Waste:

- EB Elbow Waste (1-1/2" F.I.P.) (Standard)
 SLOW Slow Drain

8.) Options:

- MT Wall Template
 TB1 Single Toothbrush Holder
 Right Left
 TB2 Dual Toothbrush Holder
 Right Left
 TH1 Single Towel Hook
 Right Left
 TH2 Dual Towel Hook
 Right Left
 ISH Integral Shelf
 TF24H Hard-wired Transformer, 110VAC to 24VAC*
 TF24P Plug-in Transformer, 110VAC to 24VAC*
 Other: _____
 Other: _____

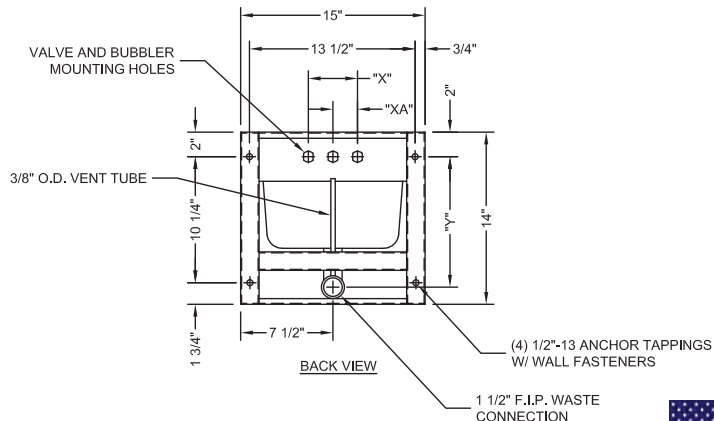
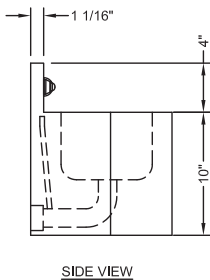
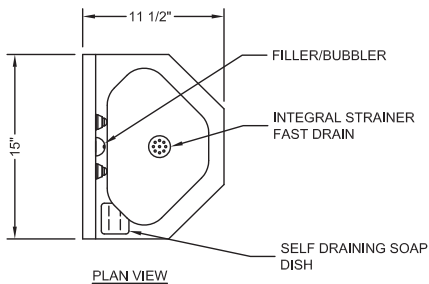
*(Req. 110V power through ground fault interrupter (GFCI) receptacle / breaker)

**LIGATURE-RESISTANT DISCLAIMER

This product is designed to minimize ligature points. While every effort has been made to reduce the possibility of ligature points, this product does not eliminate all risks. Ligature-Resistant products by Willoughby Industries are to be used in conjunction with, not as a replacement for, trained professionals.

Approved For Manufacturing By: _____ Date: _____ Company: _____
Wall Thickness: _____ Wall Type: _____

VERIFY ALL DIMENSIONS WITH FACTORY PRIOR TO ROUGH-IN
WILLOUGHBY RESERVES THE RIGHT TO MAKE CHANGES IN DESIGN AND DIMENSIONS WITHOUT FORMAL NOTICE AND WITHOUT INCURRING OBLIGATION.



SPECIFY X, XA, Y, & HOLE Ø DIMENSIONS AS NEEDED FOR PUSH BUTTON HOLE PUNCHING

visit our website at www.willoughby-ind.com
5105 West 78th Street • Indianapolis, IN. 46268
(317) 875-0830 • Fax: (317) 875-0837 • (800) 428-4065



MADE IN THE U.S.A.