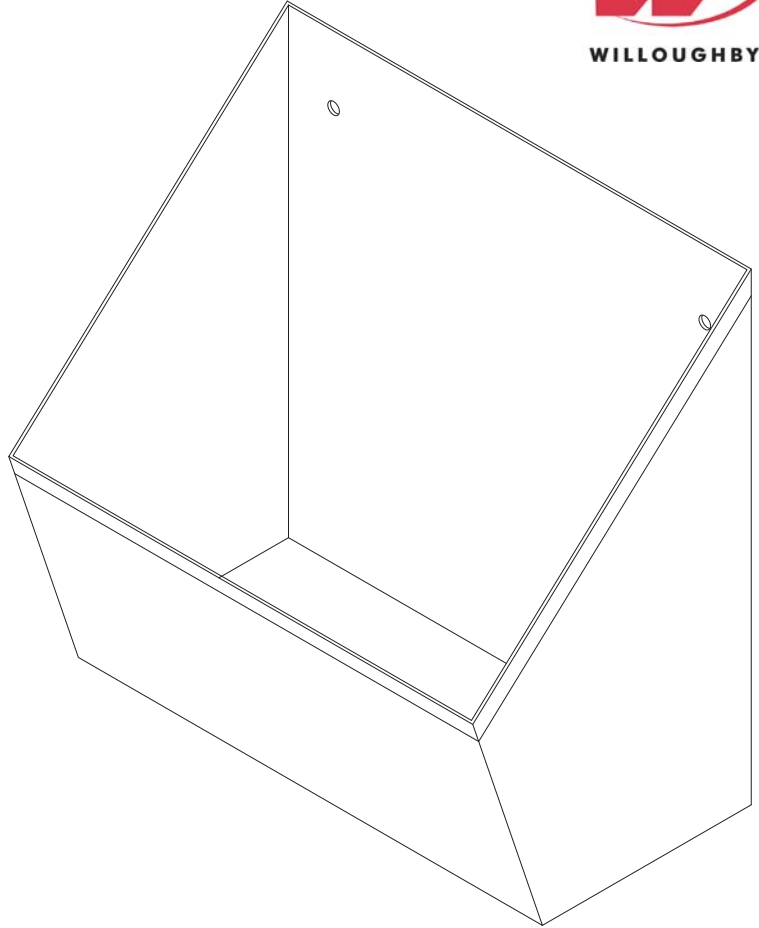


WU-1010 Single Person Waterless Trough Urinal



To specify fixture and accessories, use the Model Number and Options page.

Example: To specify a Single Person Waterless Trough Urinal

Use the following Willoughby Model Number: **WU-1010**

Recommended Specifications

Single Person Waterless Trough Urinal shall be:
Willoughby Model No. **WU-1010**
(Select from model number and options list on next page)

Fixture is fabricated from 16 GA., Type 304 stainless steel.
The construction shall be all-welded with exposed stainless
surfaces polished to a #3 satin finish.

Standard equipment shall include:
- Strainer with 1-1/2" M.P.T. pipe nipple

Anchoring shall be from the front, anchoring holes provided.
Anchor hardware by others.

Unit requires no chase area for installation and maintenance.



WARNING: Cancer and Reproductive Harm

- www.P65Warnings.ca.gov

visit our website at www.willoughby-ind.com
5105 West 78th Street • Indianapolis, IN. 46268
(317) 875-0830 • Fax: (317) 875-0837 • (800) 428-4065



MADE IN THE U.S.A.

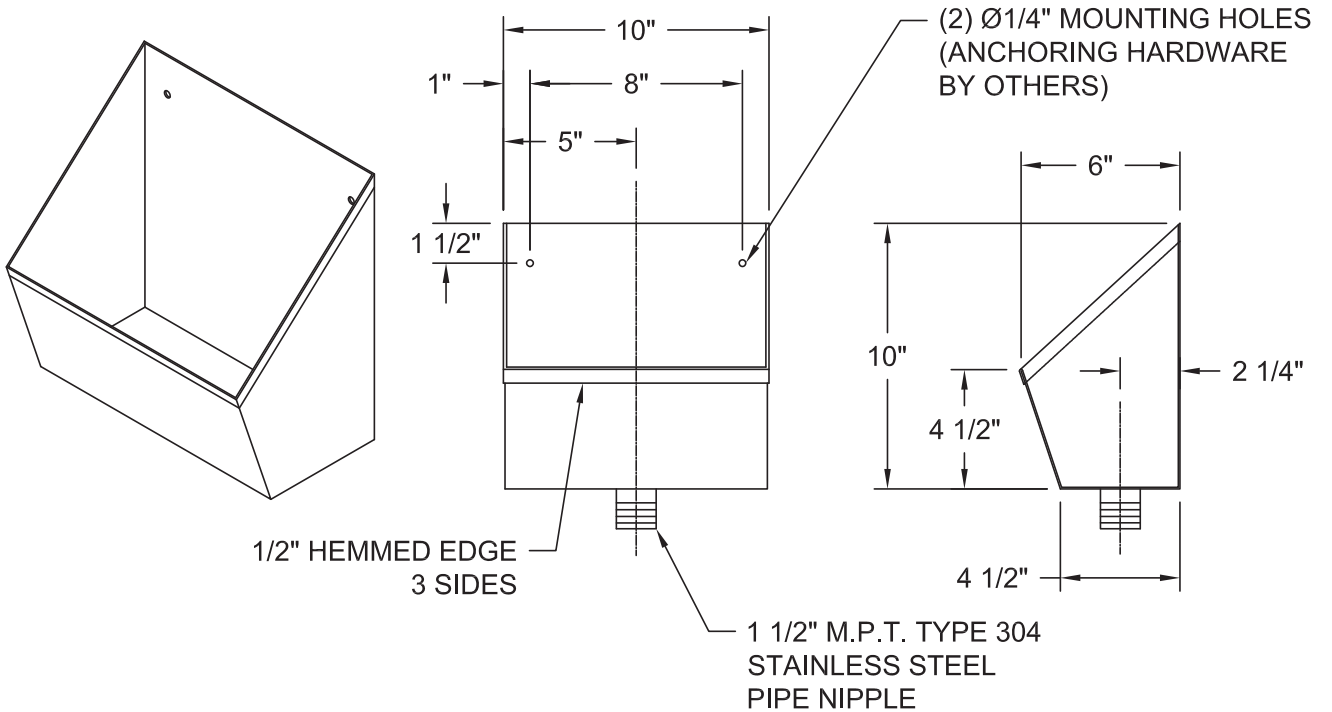
MODEL NUMBER AND OPTIONS:

1.) Base Model Number:

WU-1010 Single Person Waterless Trough Urinal

Approved For Manufacturing By: _____ Date: _____ Company: _____
Wall Thickness: _____ Wall Type: _____

VERIFY ALL DIMENSIONS WITH FACTORY PRIOR TO ROUGH-IN
WILLOUGHBY RESERVES THE RIGHT TO MAKE CHANGES IN DESIGN AND
DIMENSIONS WITHOUT FORMAL NOTICE AND WITHOUT INCURRING OBLIGATION.



visit our website at www.willoughby-ind.com
5105 West 78th Street • Indianapolis, IN. 46268
(317) 875-0830 • Fax: (317) 875-0837 • (800) 428-4065



MADE IN THE U.S.A.